

# Pneumatic push-pull clamps

## Item description/product images



### Description

**Material:**

Lever parts, bracket and thrust rod, steel.  
Thrust rod housing ductile iron (SG iron)

**Version:**

Phosphated. Cylinder bright.

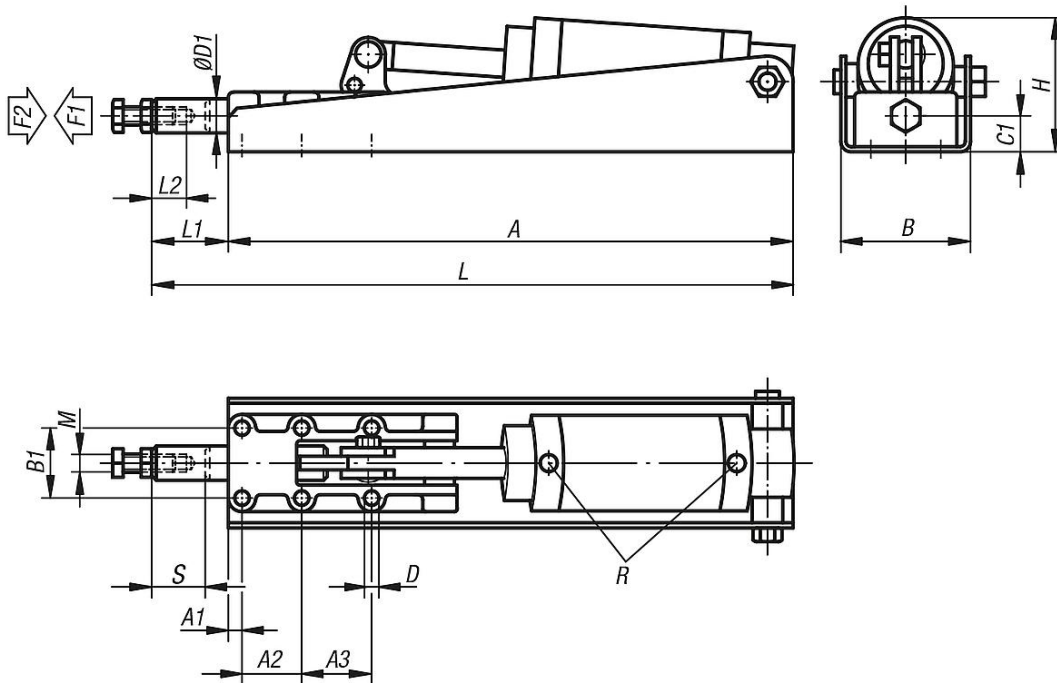
**Accessory:**

- K0101
- K0102
- K0103
- K0106

**Pneumatic cylinder:**

Double-acting without end of stroke dampening.

## Drawings



## Overview of items

### Pneumatic push-pull clamps

Order No.	A	A1	A2	A3	B	B1	C1	D	D1	H	L	L1	L2	M	R	Travel S	Retaining force F2 N	Operating pressure bar	Air consumption per cycle	strokes per min. at 6 bar
K0093.0600	290	25	36,5	-	59	33,4	14,5	5,5	14	53	331	41	30	M8	G1/8	25	6000	2 - 6	0,09 dm <sup>3</sup>	60
K0093.1200	380	8	35	41	76	41	21	8,5	20	75	435	55	40	M10	G1/8	32	12000	2 - 6	0,28 dm <sup>3</sup>	50
K0093.2500	475	12	45	45	96	54	26	10,3	25	96	577	102	60	M12	G1/4	50	25000	2 - 6	0,60 dm <sup>3</sup>	45

## Pneumatic push-pull clamps

### Overview of items

Order No.	Thrust rod extended / Clamping force F1 N
K0093.0600	5mm/320N, 10mm/430N, 15mm/650N, 20mm/870N, 22mm/1000N, 24mm/1500N, 25mm/2350N
K0093.1200	5mm/1200N, 10mm/1400N, 15mm/1650N, 20mm/1950N, 25mm/2300N, 27mm/2550N, 29mm/3000N, 31mm/4300N, 32mm/11500N
K0093.2500	5mm/1400N, 10mm/1600N, 15mm/1750N, 20mm/2000N, 25mm/2100N, 30mm/2450N, 35mm/2650N, 40mm/3250N, 45mm/4200N, 47mm/4900N, 49mm/7000N, 50mm/14500N