

Magnets deep pot with internal thread NdFeB

Item description/product images



Description

Material:

Housing, steel.
Magnetic core NdFeB.

Version:

Housing, electro zinc-plated.

Note:

Shielded system. Deep pot magnets are used for mounting in steel and iron. This requirement is principally stipulated in plant and machine construction. Can also be used in blind holes.

Size D=50 has 4 magnets Ø18 mm.

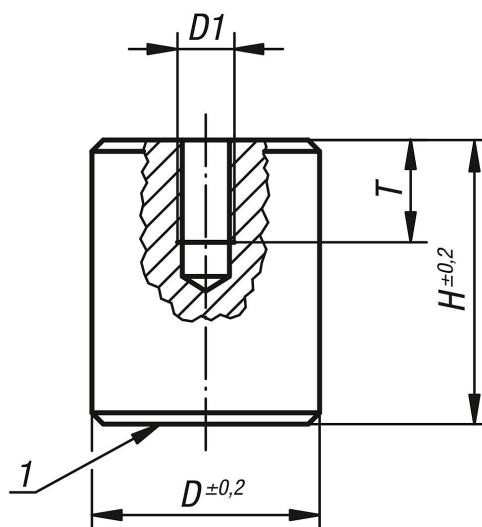
Temperature range:

max. 80°C.

Drawing reference:

1) magnetic face

Drawings



Overview of items

Magnets deep pot with internal thread NdFeB

Order No.	D	D1	H	T	Can be shortened by (mm)	Magnetic force N
K0552.01	8	M3	12	5	3	12
K0552.02	10	M4	16	7	7	24
K0552.03	13	M4	18	7	3	60
K0552.04	16	M4	20	7	6	90
K0552.05	20	M5	25	9	9	135
K0552.06	25	M6	30	9	10	190

Magnets deep pot with internal thread NdFeB

Overview of items

Order No.	D	D1	H	T	Can be shortened by (mm)	Magnetic force N
K0552.07	35	M8	40	13	10	300
K0552.08	50	M12	50	13	13	550