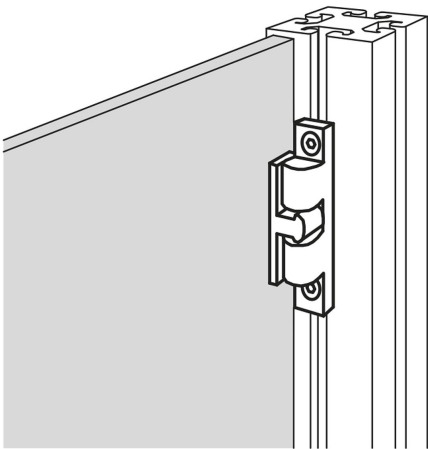


Double ball catches

Item description/product images



Description

Material:

Housing and latch brass, die-cast zinc or stainless steel 1.4401.

Balls and springs stainless steel.

Version:

Brass and die-cast zinc chromed.

Stainless steel abrasive blasted.

Balls and springs bright stainless steel.

Note:

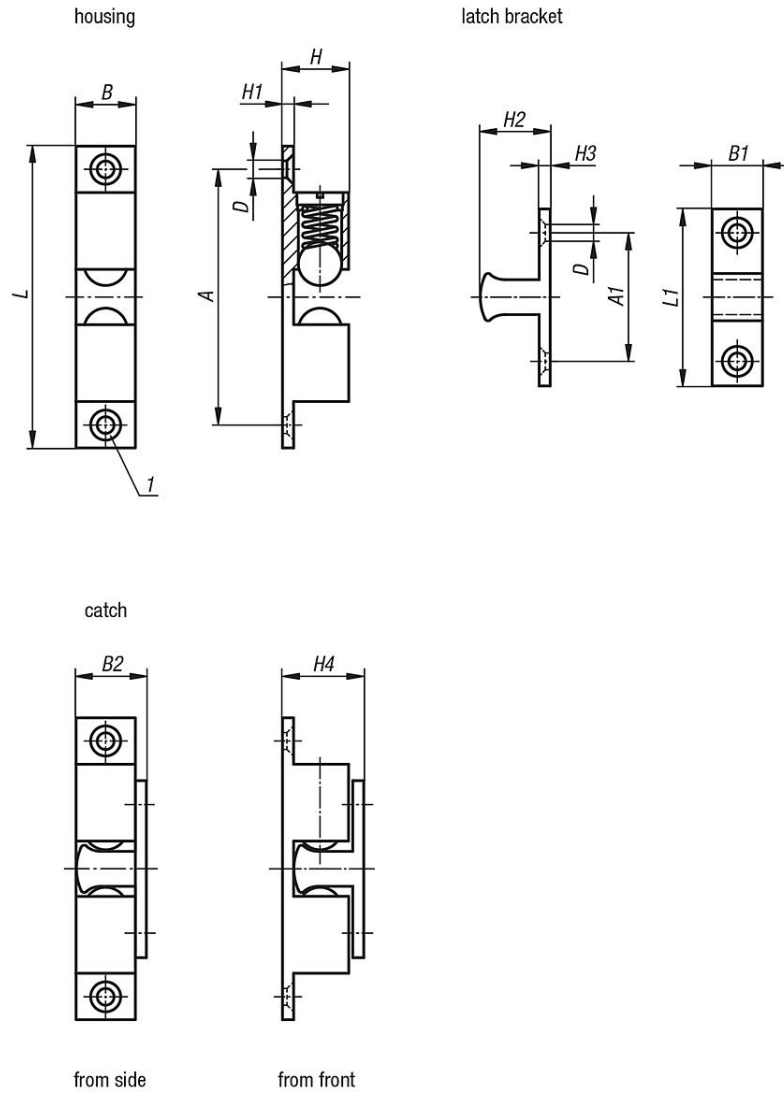
Quick catch for various applications such as holding doors, hatches, screens etc. closed. The double ball catch consists of a housing and a latch bracket that engages between the two balls. The latch bracket can engage from the front or the side. The engagement pressure is adjustable.

Drawing reference:

1) counterbore DIN 74-A

Double ball catches

Drawings



Overview of items

Double ball catches

Order No.	Main material	Steel code	Surface finish body	A	A1	B	B1	B2	D	H	H1	H2	H3	H4	L	L1	Clamping force ca. N	Spring strength
K0583.50	brass	-	chromed	40	20	8,8	7,9	10,8	3,8	10,6	2	11,2	2	13	49	29,5	35±5	standard
K0583.60	brass	-	chromed	50	24	11	9	13,5	4,8	13,2	2,4	13,5	2,2	15,9	60	36	30±7	standard
K0583.70	brass	-	chromed	58	30	13	12	16	4,8	15	2,4	15,7	2,2	18,5	68,4	40	25±5	standard
K0583.322	stainless steel	1.4401	blasted	25	11	8	8	10	3,2	9	2	8,5	2	11,5	32	18	8	standard
K0583.432	stainless steel	1.4401	blasted	35	16	8	7,5	10,5	3,2	10	2,5	11	2,5	13,5	43	25	13	standard
K0583.502	stainless steel	1.4401	blasted	40	20	10	9	12,9	4,2	12,2	2,9	13,2	2,9	15,9	50	30	18	standard
K0583.702	stainless steel	1.4401	blasted	60	30	13	10,5	17	4,2	17	4	19	4	23	70	42	38	standard
K0583.430	zinc	-	chromed	35	16	8	7,5	10,5	3,2	10	2,5	11	2,5	13,5	43	25	13	standard
K0583.500	zinc	-	chromed	40	20	10	9	12,9	4,2	12,2	2,9	13,2	2,9	15,9	50	30	18	standard
K0583.700	zinc	-	chromed	60	30	13	10,5	17	4,2	17	4	19	4	23	70	42	38	standard

