

Stops adjustable, with end position feedback

Item description/product images



Description

Material:

Screw and plunger stainless steel 1.4301.

Guide bush stainless steel 1.4112.

Sensor housing stainless steel.

Note:

The ensured sensing distance is achieved if the plunger is actuated flush up to the stop surface of the guide bush. The sensor is supplied unassembled.

Installation recommendation: glue in with Loctite 638.

Caution: screw sensor in until it comes to a stop.

Safety:

End position feedback stops are not suitable for personal protection.

Drawing reference:

5) LED-indicator

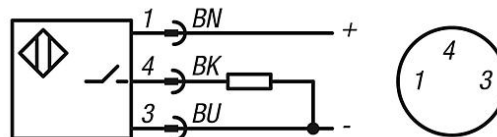
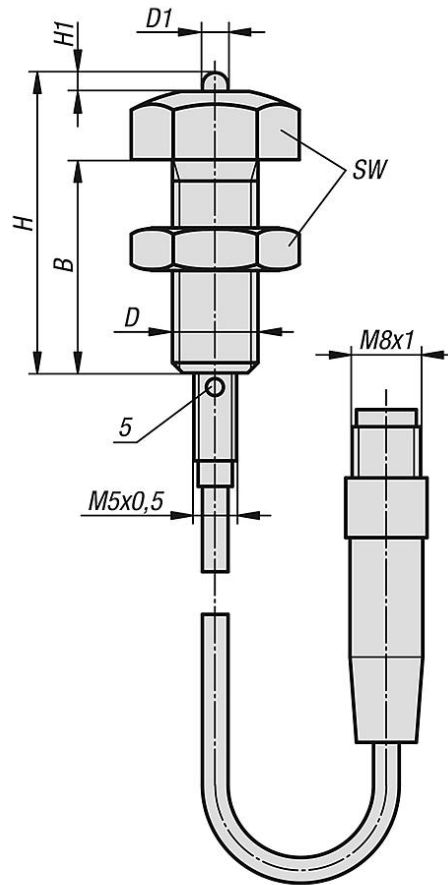
BN = brown

BK = black

BU = blue

Stops adjustable, with end position feedback

Drawings



Overview of items

Stops, adjustable, with end position feedback

| Order No. | Size | B | D | D1 | H | H1 | SW |
|--------------|------|----|-----|----|------|----|----|
| K0581.080352 | 1 | 25 | M8 | 3 | 35,2 | 2 | 13 |
| K0581.100352 | 2 | 25 | M10 | 3 | 35,2 | 2 | 17 |
| K0581.120352 | 3 | 25 | M12 | 3 | 35,2 | 2 | 19 |