

## Locking pins, steel with stainless steel key ring

### Item description/product images



### Description

#### Material:

Pin steel.

Key ring stainless steel.

#### Version:

Pins electro zinc-plated.

Key ring bright.

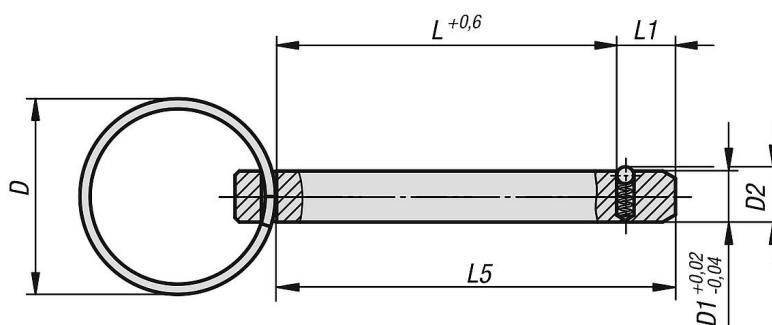
#### Note:

Locking pins are used for quick and easy fixating and joining of parts and workpieces.

Shearing force double shear ( $F$ ) =  $S \cdot \tau$  aB max.

The locking pins with key ring represent a cost-effective alternative to other locking pins.

### Drawings



### Overview of items

#### Locking pins with key ring

Order No.	D	D1	D2	L	L1	L5	Shearing force double shear max.kN
K0365.102306015	23	6	6,5	15	7	22	22
K0365.102306020	23	6	6,5	20	7	27	22
K0365.102306030	23	6	6,5	30	7	37	22
K0365.102306040	23	6	6,5	40	7	47	22
K0365.102808030	28	8	8,8	30	8	38	38
K0365.102808040	28	8	8,8	40	8	48	38
K0365.102808050	28	8	8,8	50	8	58	38