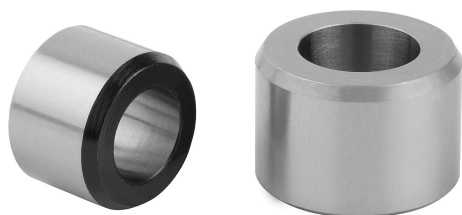


## Bushes cylindrical

### Item description/product images



### Description

**Material:**

Steel or 1.4034 stainless steel.

**Version:**

Steel version:

black oxidised, hardened and ground.

Stainless steel version:

bright, hardened and ground.

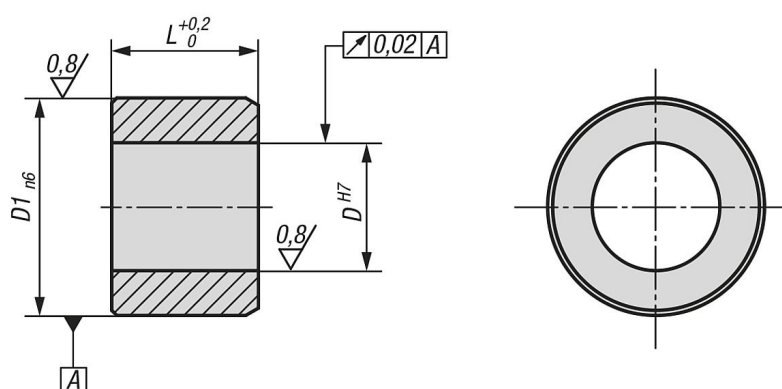
**Note:**

Matching bushes for premium indexing plungers with cylindrical pin K0736.

**Assembly:**

To increase the coaxial alignment accuracy, the hole for the bush and the premium indexing plunger can be machined simultaneously.

### Drawings



### Overview of items

#### Cylindrical bushes

Order No.	Main material	D	D1	L
K0736.9005	steel	5	8	6
K0736.9006	steel	6	10	7
K0736.9008	steel	8	13,5	9,5
K0736.9010	steel	10	17	11,5
K0736.90005	stainless steel	5	8	6
K0736.90006	stainless steel	6	10	7
K0736.90008	stainless steel	8	13,5	9,5
K0736.90010	stainless steel	10	17	11,5