

## Chock clamps

### Item description/product images



### Description

#### Material:

Clamping element steel or brass.

#### Version:

Steel hardened.

#### Note:

Also known as pitbull clamps.

Extremely space-saving design.

No protruding edges due to lateral clamping.

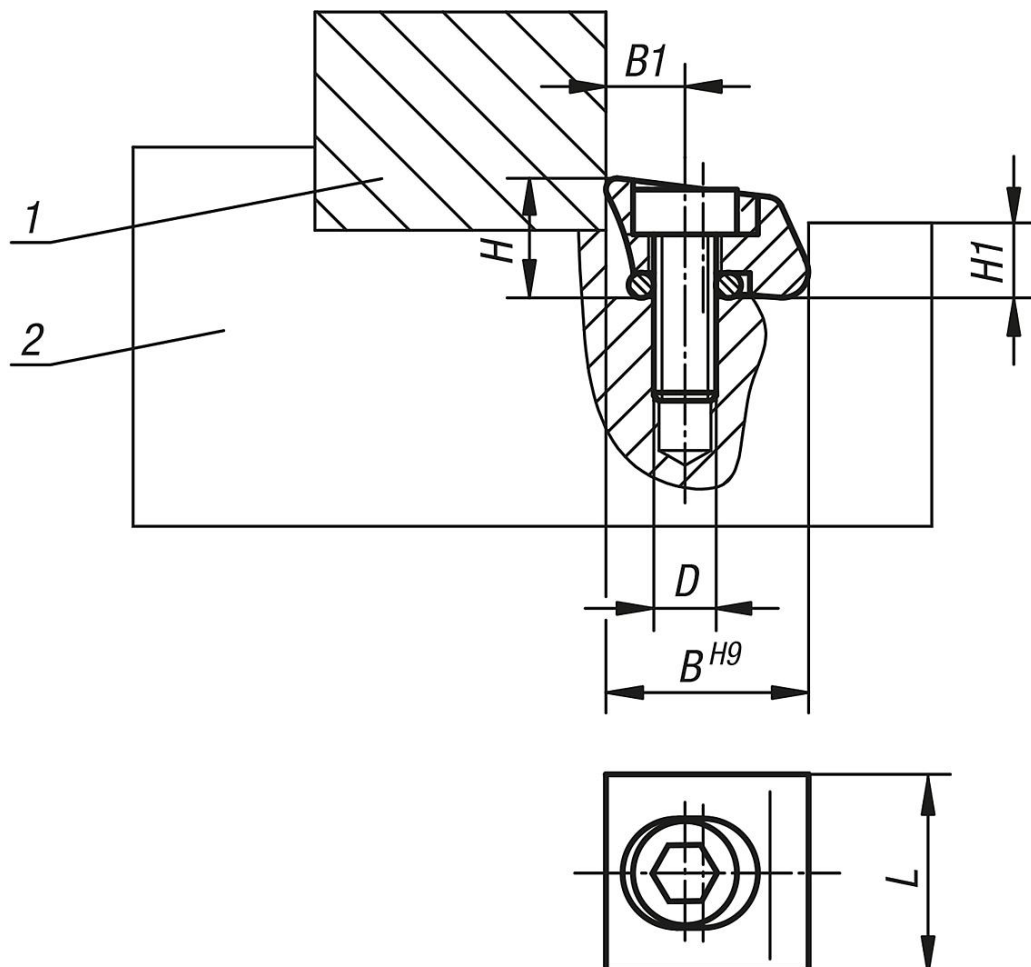
Positive down force.

#### Drawing reference:

1) workpiece

2) Fixture

### Drawings



### Overview of items

## Chock clamps

### Overview of items

#### Chock clamps

Order No.	Version	Main material	D	B	B1	H	H1	L	Clamping travel	Clamping force kN	Tightening torque max. Nm
<b>K0030.110</b>	with knife edge	steel	M2,5X8	9,5	3,8	6	3,6	9,5	0,15	2,8	1,8
<b>K0030.113</b>	with knife edge	steel	M4X12	12,7	5,1	8	4,8	13	0,4	6,6	5,6
<b>K0030.119</b>	with knife edge	steel	M6X16	19,05	7,6	11,5	7,2	19	0,6	16	22,5
<b>K0030.210</b>	with blunt edge	steel	M2,5X8	9,5	3,8	6	3,6	9,5	0,15	2,8	1,8
<b>K0030.213</b>	with blunt edge	steel	M4X12	12,7	5,1	8	4,8	13	0,4	6,6	5,6
<b>K0030.219</b>	with blunt edge	steel	M6X16	19,05	7,6	11,5	7,2	19	0,6	16	22,5
<b>K0030.310</b>	with blunt edge	brass	M2,5X8	9,5	3,8	6	3,6	9,5	0,15	0,9	0,56
<b>K0030.313</b>	with blunt edge	brass	M4X12	12,7	5,1	8	4,8	13	0,4	1,8	2,8
<b>K0030.319</b>	with blunt edge	brass	M6X16	19,05	7,6	11,5	7,2	19	0,6	4,2	5,6