

Cam clamps with riser

Item description/product images



Description

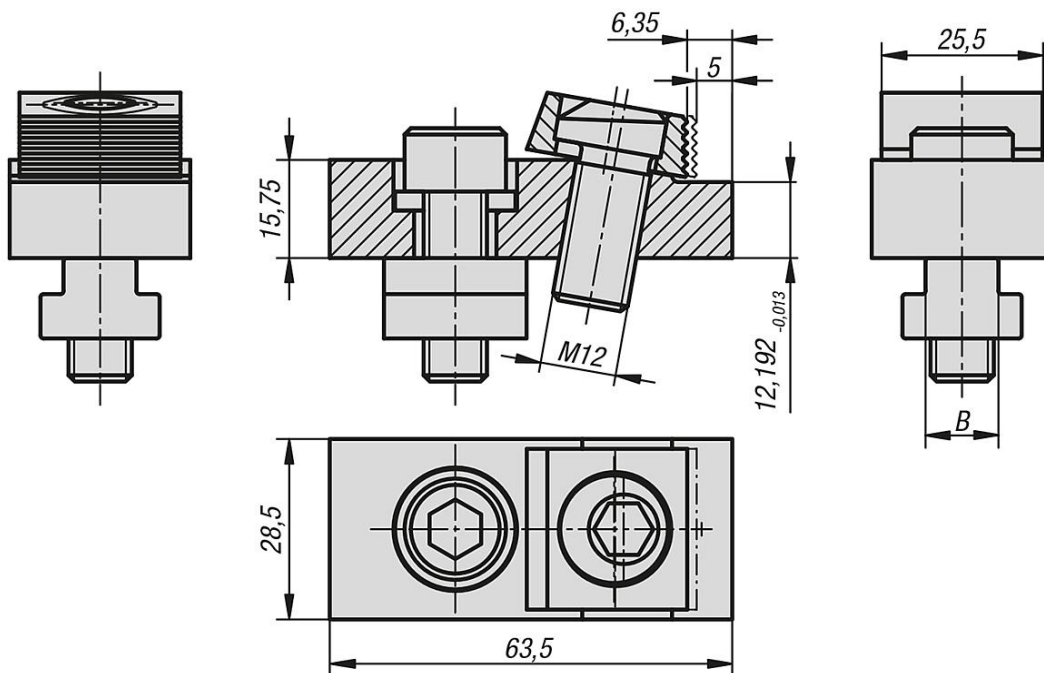
Material:
Steel.

Version:
Body tempered and black oxidised.
Square washer case hardened and brass-plated.

Note:
Also called riser clamps.
These cam clamps with riser can be used directly on machine tables. A positive down force is exerted during clamping.

On request:
Replacement cam screws.

Drawings



Overview of items

Cam clamps with riser

Order No.	B Slot width	Clamping force kN
K0028.12	12	12
K0028.14	14	12
K0028.16	16	12
K0028.18	18	12

