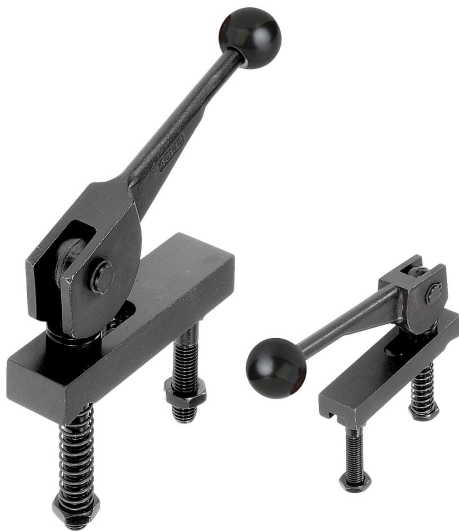


# Cam clamps double

## Item description/product images



### Description

**Material:**

Cam lever carbon steel 1.7220.

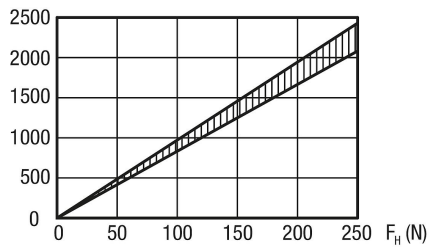
Strap carbon steel 1.1191

**Version:**

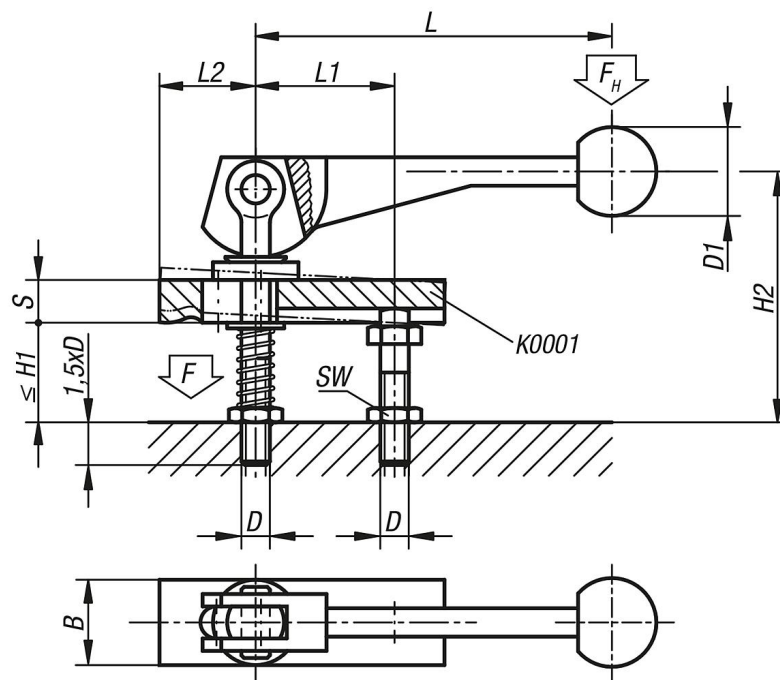
Black oxidised.

Force diagram

F (N)



## Drawings



## Cam clamps double

### Overview of items

---

#### Cam clamps, double

Order No.	L	L1	L2	B	S	H1 max.	H2	D	D1	SW
<b>K0011.08</b>	104±2	39	37	20	12	28	74	M8	25	13
<b>K0011.10</b>	123±2	49	46	25	16	39	92	M10	30	17
<b>K0011.12</b>	146±3	61	58	32	20	49	120	M12	30	19