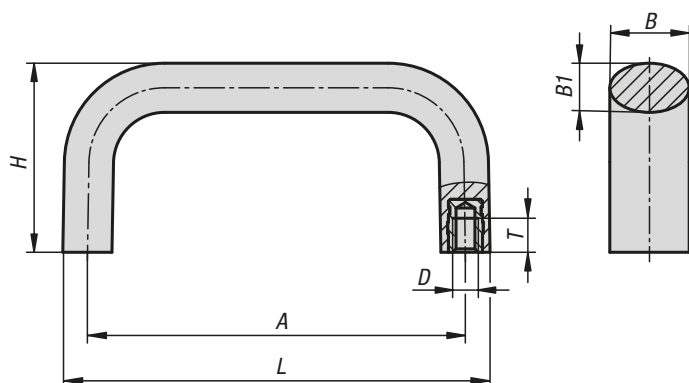


## Pull handles, tubular handles, recessed handles



## Plastic pull handles, oval



**Material:**

Thermoset PF 31.  
Tapped bush, steel or stainless steel.

**Version:**

Thermoset black, high-gloss polished.  
Trivalent blue passivated steel or bright stainless steel.

**Sample order:**

K1458.21280621

**Temperature range:**

Permanent application temperature 140 °C.  
Temporary operating temperature max. 160 °C.

**Assembly:**

From the rear.

### KIPP Plastic pull handles, oval

Order No.	Component material	A	B	B1	D	H	L	T	Load capacity N
K1458.21000621	steel	100	21	13	M6	50	113	9	500
K1458.21200621	steel	120	21	13	M6	50	133	9	500
K1458.21280621	steel	128	21	13	M6	50	141	9	500
K1458.21600825	steel	160	25	17	M8	55	177	12	500
K1458.31000621	stainless steel	100	21	13	M6	50	113	9	500
K1458.31200621	stainless steel	120	21	13	M6	50	133	9	500
K1458.31280621	stainless steel	128	21	13	M6	50	141	9	500
K1458.31600825	stainless steel	160	25	17	M8	55	177	12	500

## Pull handles

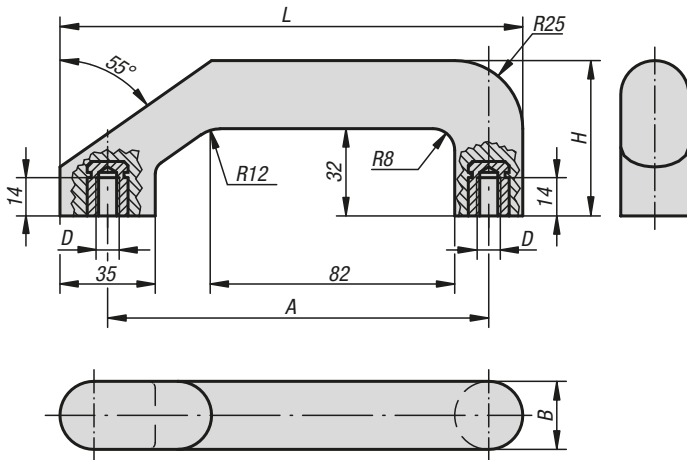


**Material:**  
Thermoset PF 31, black.  
Bushes brass or electro zinc-plated steel.

**Version:**  
High-gloss polished.

**Sample order:**  
K0187.101

**Assembly:**  
From the rear.



### KIPP Pull handles

Order No.	Component material	A	B	D	H	L	Load capacity N
K0187.101	brass	140	25	M8	57	170	300
K0187.201	steel	140	25	M8	57	170	300

## Pull handles

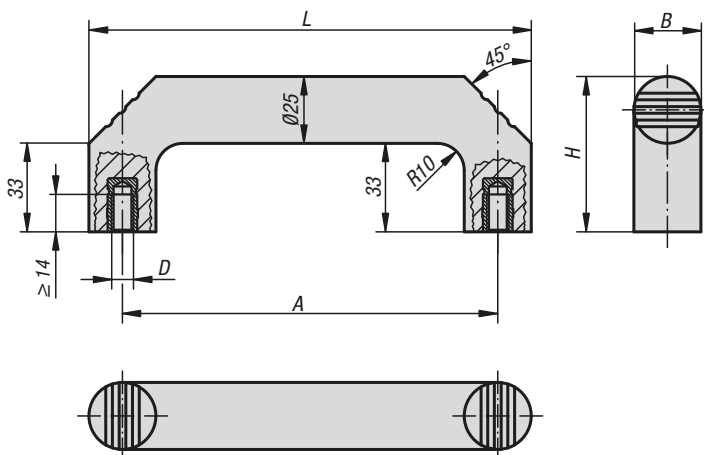


**Material:**  
Thermoset PF 31, black.  
Bushes brass or electro zinc-plated steel.

**Version:**  
High-gloss polished.

**Sample order:**  
K0188.114008

**Assembly:**  
From the rear.



### KIPP Pull handles

Order No.	Component material	A	B	D	H	L	Load capacity N
K0188.114008	brass	140	25	M8	58	165	500
K0188.214008	steel	140	25	M8	58	165	500

## Pull handles, plastic

with electronic switch function



**Material:**  
Plastic PA6.

**Version:**  
Fine texture, black.

**Sample order:**  
K1527.11601

**Note:**  
Push button with red or green LED.

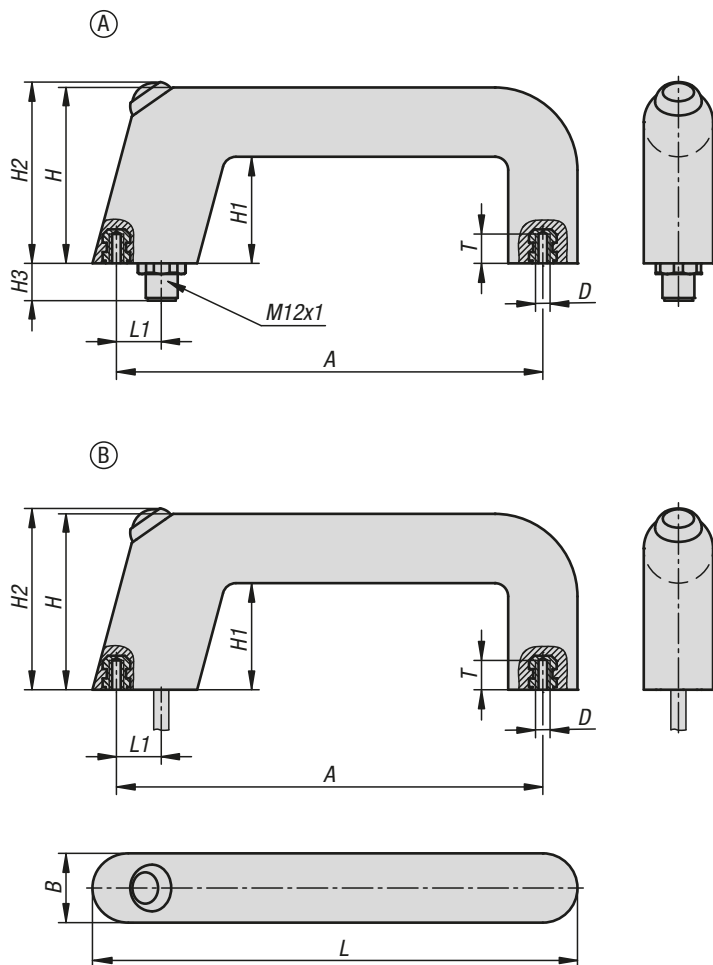
**Form A:**  
Connector with 8 pin plug in the screw face of the grip leg. (Connector (K1498) with 10 m cable available as accessory. Please order separately.)

**Form B:**  
Connection cable, 5 m long, attached to the screw face of the grip leg.

Rating: IP65 for Form A (when connector is screwed on).

**Assembly:**  
From the rear.

**Drawing reference:**  
Form A: with plug  
Form B: with cable

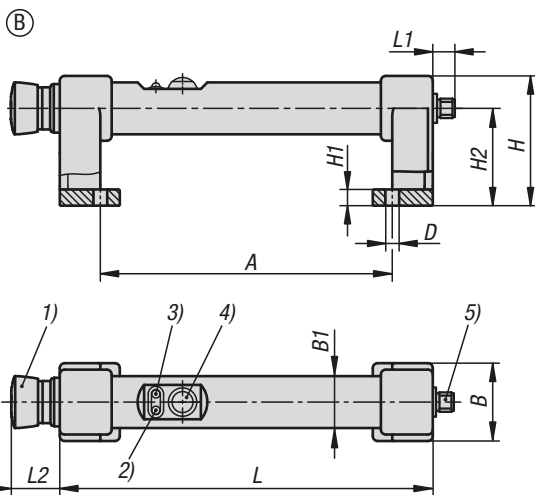
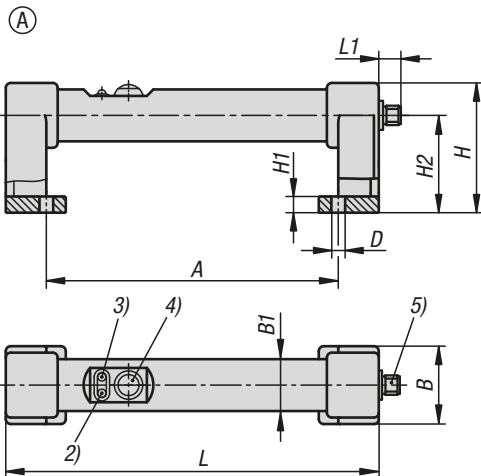


### KIPP Pull handles, plastic with electronic switch function

Order No.	Form	Component colour	A	B	D	H	H1	H2 max.	H3	L	L1	T	Load capacity N
K1527.11601	A	green	160	26	M6	66	40	70	10	182	17	10	1000
K1527.11602	A	red	160	26	M6	66	40	70	10	182	17	10	1000
K1527.21601	B	green	160	26	M6	66	40	70	-	182	17	10	1000
K1527.21602	B	red	160	26	M6	66	40	70	-	182	17	10	1000

## Tubular handles, plastic

with electronic switch function



**Material:**

Grip legs PA6 plastic.  
Grip tube PVC plastic.

**Version:**

Grip legs fine textured, black.  
Grip tube turned, black.

**Sample order:**

K1529.180

**Note:**

Form A:  
Push button (changer)  
2 LED'S  
Plug 8 pin

Form B:  
Emergency stop (2 opener)  
Push button (changer)  
2 LED'S  
Plug 12 pin

Plug mounted in the grip leg from the lower tube axis.  
Connector (K1498) with 10 m cable available as accessory. Please order separately.

Rating: IP65 when connector is screwed on.

Optically matching tubular handle without electronic switch function (K1528) available.

**Assembly:**

From the front.

**Drawing reference:**

- 1) Emergency stop
- 2) Red LED
- 3) Green LED
- 4) Push button
- 5) Connector, M12x1

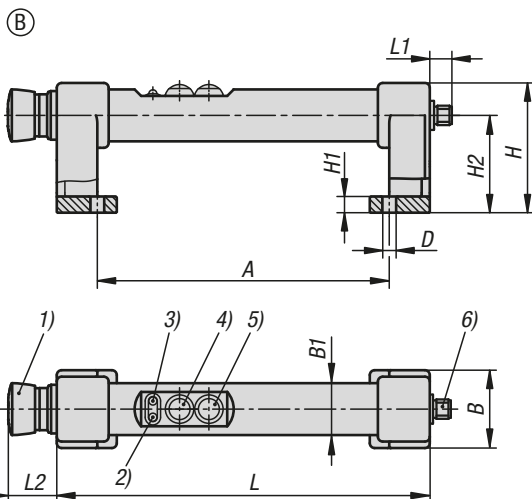
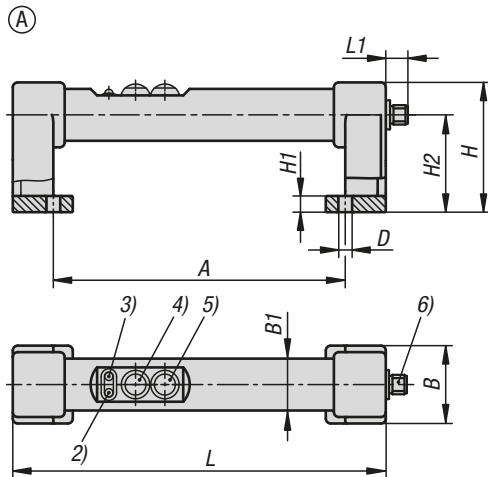


### KIPP Tubular handles, plastic with electronic switch function

Order No.	Form	A	B	B1	D	H	H1	H2	L	L1	L2	Load capacity N
K1529.180	A	180	48	32	8,5	80	10	60	230	13	-	1000
K1529.1180	B	180	48	32	8,5	80	10	60	230	13	30	1000

## Tubular handles, plastic

with electronic switch function



**Drawing reference:**

- 1) Emergency stop
- 2) Red LED
- 3) Green LED
- 4) Push button 1
- 5) Push button 2
- 6) Connector, M12x1

**Material:**

Grip legs PA6 plastic.  
Grip tube PVC plastic.

**Version:**

Grip legs fine textured, black.  
Grip tube turned, black.

**Sample order:**

K1530.180

**Note:**

Form A:  
Push button 1 (changer)  
Push button 2 (closer)  
2 LED'S  
Plug 8 pin

Form B:  
Emergency stop (2 opener)  
Push button 1 (changer)  
Push button 2 (closer)  
2 LED'S  
Plug 12 pin

Plug mounted in the grip leg from the lower tube axis.  
Connector (K1498) with 10 m cable available as accessory. Please order separately.

Rating: IP65 when connector is screwed on.

Optically matching tubular handle without electronic switch function (K1528) available.

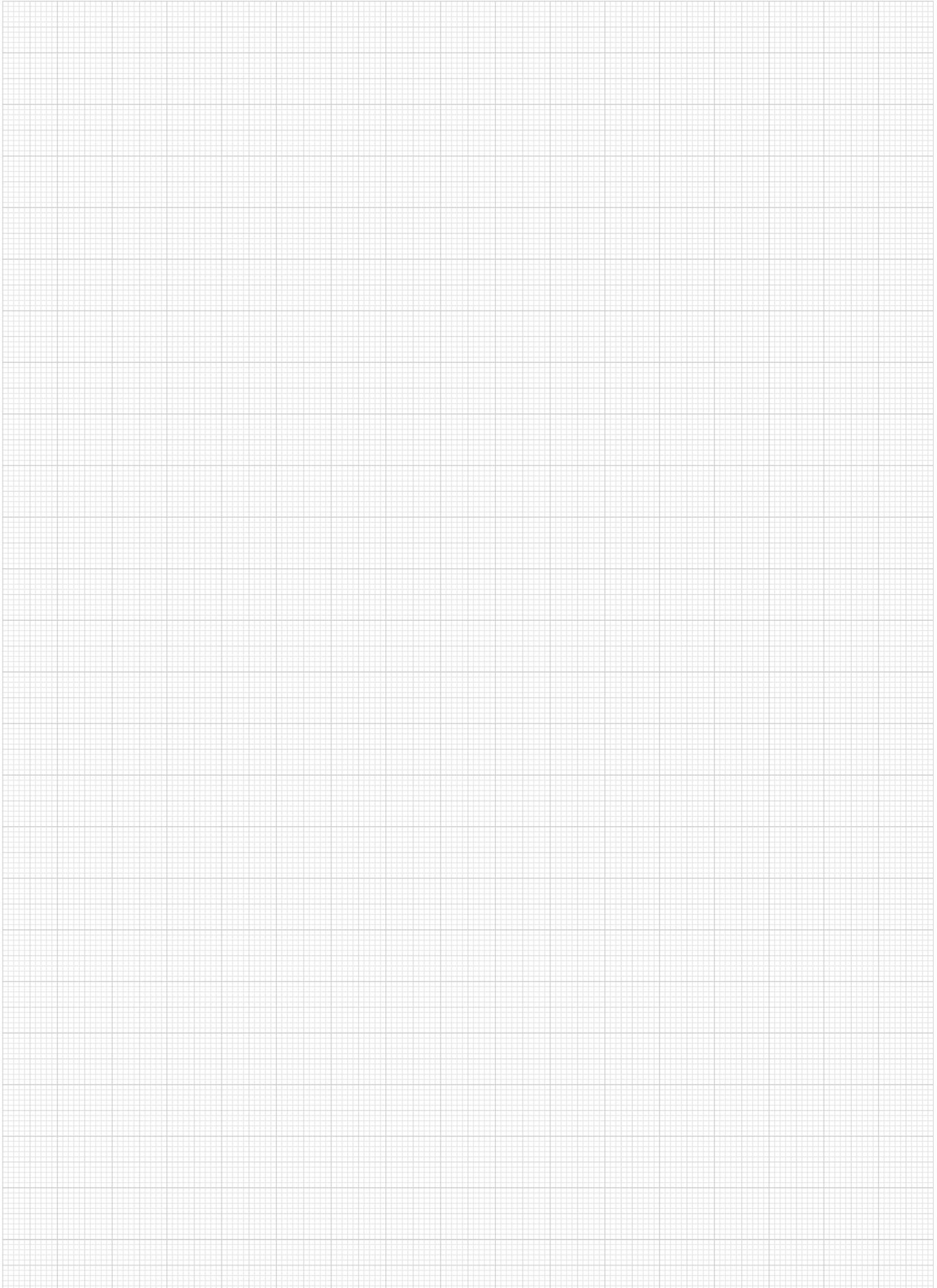
**Assembly:**

From the front.

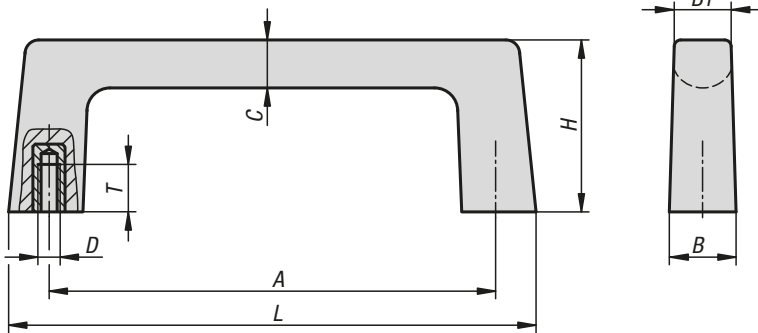


**KIPP Tubular handles, plastic with electronic switch function**

Order No.	Form	A	B	B1	D	H	H1	H2	L	L1	L2	Load capacity N
K1530.180	A	180	48	32	8,5	80	10	60	230	13	-	1000
K1530.1180	B	180	48	32	8,5	80	10	60	230	13	30	1000



## Pull handles



**Material:**  
Thermoset FS 31.  
Threaded insert steel.

**Version:**  
black.

**Sample order:**  
K1074.11005

**Note for ordering:**  
Fastening screws included.

**Note:**  
Load rating max. 500 N.

**Assembly:**  
From the rear.

### KIPP Pull handles

Order No.	Main material	A	B	B1	C	D	H	L	T	Load capacity N
K1074.11005	duroplast	110	16	14	12	M5	42	130	10	500



## Pull handles



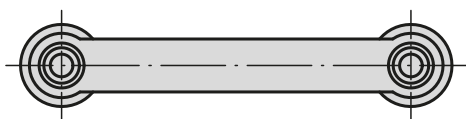
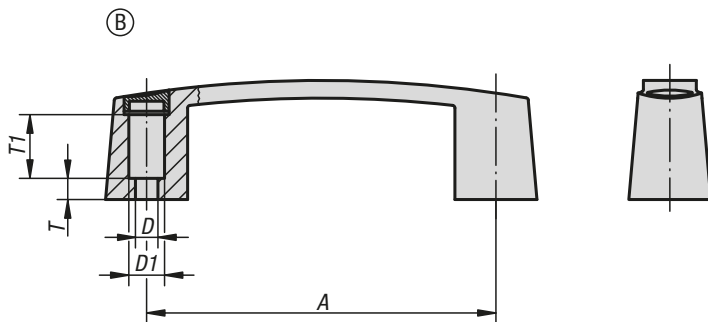
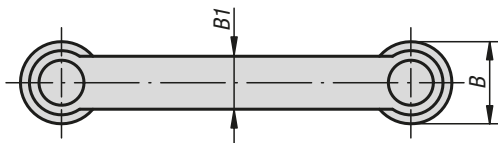
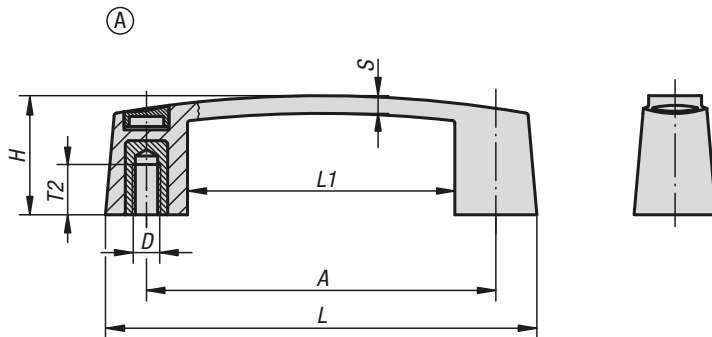
**Material:**  
Thermoplastic.  
Bushing brass.

**Version:**  
Handle and cap black.

**Sample order:**  
K0189.109406

**Assembly:**  
Form A from the rear.  
Form B from the front.

**On request:**  
Other handle or cap colours.



### KIPP Pull handles

Order No.	Form	A	B	B1	D	D1	H	L	L1	S	T	T1	T2	Load capacity N
K0189.109406	A	93,5	26	17	M6	-	35	119,5	67,5	5,8	-	-	15,5	320
K0189.111706	A	117	29	19	M6	-	40	145	89	6,4	-	-	15,5	320
K0189.111708	A	117	29	19	M8	-	40	145	89	6,4	-	-	16	870
K0189.113206	A	132	31	20	M6	-	45	163	101	6,7	-	-	15,5	320
K0189.113208	A	132	31	20	M8	-	45	163	101	6,7	-	-	16	870
K0189.117910	A	179	35	22	M10	-	50	213	145	7,1	-	-	22	1200
K0189.209406	B	93,5	26	17	6,8	12	35	119,5	67,5	5,8	4,5	19	-	500
K0189.211708	B	117	29	19	8,5	13,5	40	145	89	6,4	8	23	-	950
K0189.213208	B	132	31	20	8,5	13,5	45	163	101	6,7	8	22	-	950
K0189.217908	B	179	35	22	8,5	13,5	50	213	145	7,1	12	22	-	950

## Pull handles



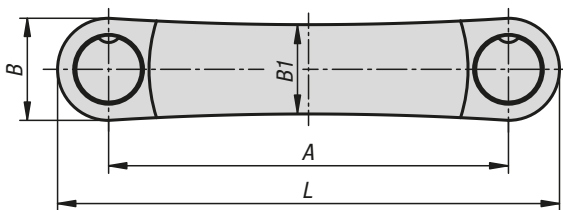
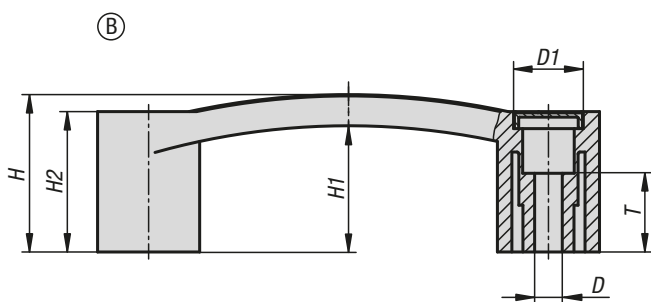
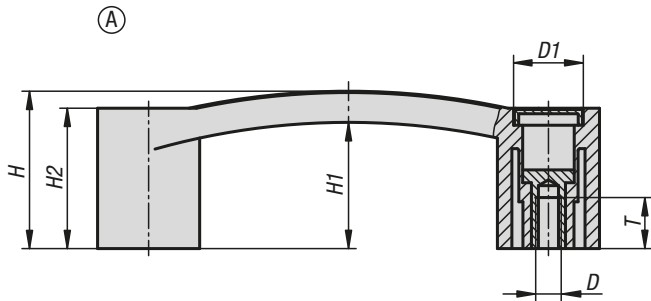
**Material:**  
Fibreglass reinforced thermoplastic.  
Tapped bush brass.

**Version:**  
Black.  
Cap grey.

**Sample order:**  
K1092.109406

**Assembly:**  
Form A from the rear.  
Form B from the front.

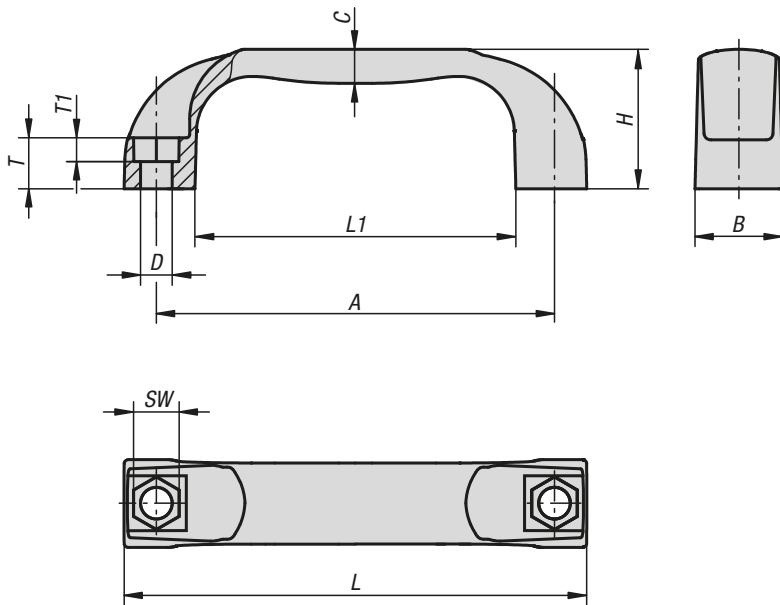
**On request:**  
Other handle or cap colours.



### KIPP Pull handles

Order No.	Version 1	Form	A	B	B1	D	D1	H	H1	H2	L	T	Load capacity N
K1092.109406	internal thread	A	94	24	21	M6	16	37	30	33	118	12	2000
K1092.111706	internal thread	A	117	28	24	M6	18	40,5	31,5	34	145	12	3400
K1092.111708	internal thread	A	117	28	24	M8	18	40,5	31,5	34	145	12	3400
K1092.112006	internal thread	A	120	28	24	M6	18	40,5	31,5	34	148	12	3500
K1092.112008	internal thread	A	120	28	24	M8	18	40,5	31,5	34	148	12	3500
K1092.113208	internal thread	A	132	28	24	M8	18	43	34	36,5	160	12	3500
K1092.209406	with through hole	B	94	24	21	6,5	16	37	30	33	118	14	2500
K1092.211706	with through hole	B	117	28	24	6,5	18	40,5	31,5	34	145	15	3700
K1092.211708	with through hole	B	117	28	24	8,5	18	40,5	31,5	34	145	15	3700
K1092.212006	with through hole	B	120	28	24	6,5	18	40,5	31,5	34	148	15	2900
K1092.212008	with through hole	B	120	28	24	8,5	18	40,5	31,5	34	148	15	2900
K1092.213208	with through hole	B	132	28	24	8,5	18	43	34	36,5	160	15	3200

## Pull handles



**Material:**

Glass-bead reinforced thermoplastic PA (polyamide) or fiberglass reinforced PP (polypropylene).

**Version:**

Polypropylene black-grey.  
Polyamide black-grey RAL 7021, pure orange RAL 2004, colza yellow RAL 1021, signal green RAL 6032, traffic blue RAL 5017, traffic red RAL 3020 and light-grey RAL 7035.

**Sample order:**

K0190.10940684 (pull handle traffic red)

**Note for ordering:**

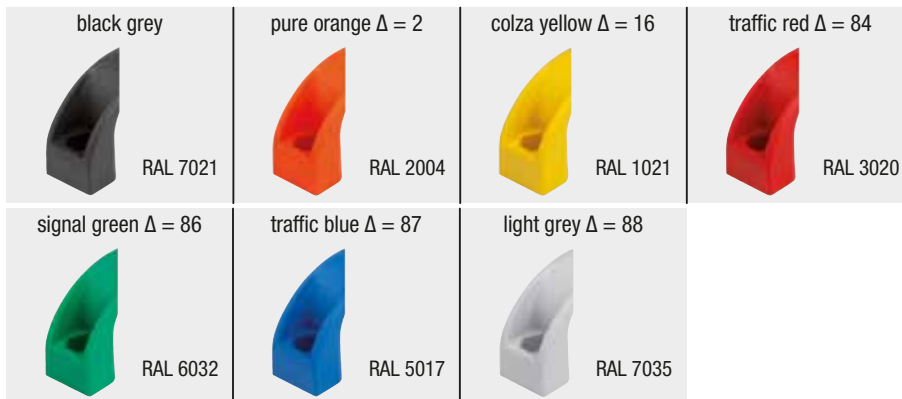
Δ Add the desired colour here. No colour code is required for black grey.

**Note:**

The fastening hole is designed to accept the head of a cap or hexagon head screw or a hexagon nut.

**Assembly:**

From the front or rear.



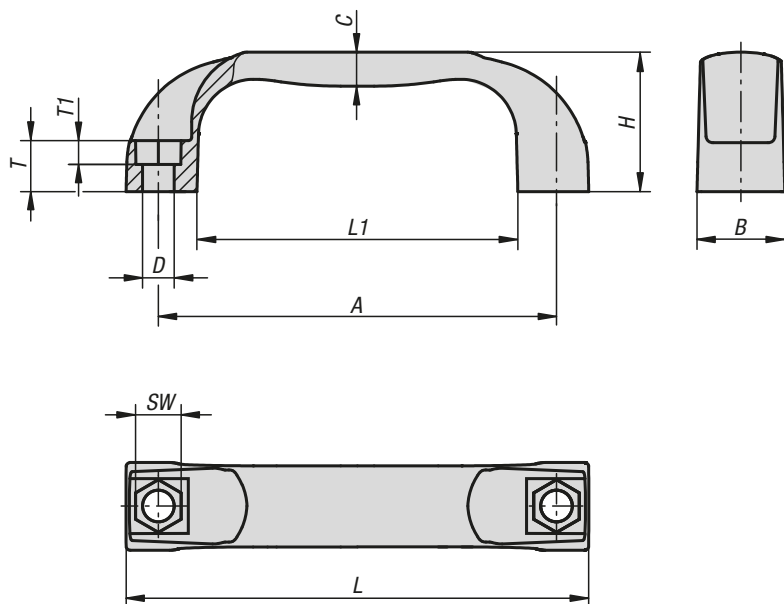
### KIPP Pull handles

Order No.	Main material	A	B	C	D	H	L	L1	SW	T	T1	Load capacity N
K0190.209406	polypropylene	94	21	8	6,6	36	109	76	10	13	6	500
K0190.211708	polypropylene	117	26	10	9	41	136	94	13	15	8	800
K0190.213208	polypropylene	132	27	11	9	44	154	112	13	16	8	800
K0190.215008	polypropylene	150	27	11	9	44	172	132	13	16	8	800
K0190.217908	polypropylene	179	28	11	9	50	197	156	13	17	8	800

Order No.	Main material	A	B	C	D	H	L	L1	SW	T	T1	Load capacity N
K0190.109406Δ	polyamide	94	21	8	6,6	36	109	76	10	13	6	1000
K0190.111708Δ	polyamide	117	26	10	9	41	136	94	13	15	8	1500
K0190.113208Δ	polyamide	132	27	11	9	44	154	112	13	16	8	1500
K0190.115008Δ	polyamide	150	27	11	9	44	172	132	13	16	8	1500
K0190.117908Δ	polyamide	179	28	11	9	50	197	156	13	17	8	1500

## Pull handles

high temperature resistant



**Material:**

Thermoplastic PPA (resistant to high temperatures), fibreglass reinforced.

**Version:**

black.

**Sample order:**

K0190.311708

**Note:**

The fastening hole is designed to accept the head of a cap or hexagon head screw or a hexagon nut.

**Temperature range:**

Continuous operating temperature acc. to IEC 216 max. 150°C - 160°C.

Temporary operating temperature max. 250°C.

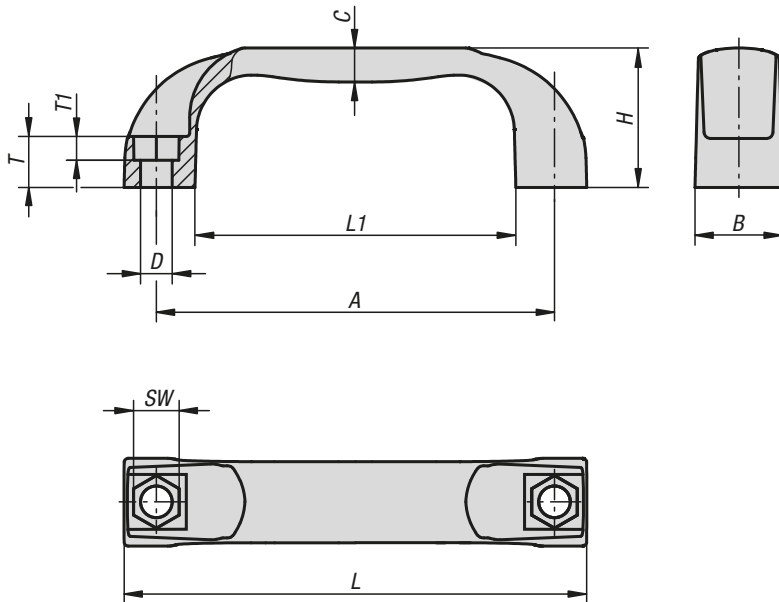
**Assembly:**

From the front or rear.

### KIPP Pull handles, high temperature resistant

Order No.	A	B	C	D	H	L	L1	SW	T	T1	Load capacity N
K0190.311708	117	26	10	9	41	136	94	13	15	8	1500
K0190.313208	132	27	11	9	44	154	112	13	16	8	1500
K0190.315008	150	27	11	9	44	172	132	13	16	8	1500

## Pull handles antibacterial



**Material:**

Thermoplastic PA (polyamide) reinforced.

**Version:**

slate grey.

**Sample order:**

K0190.1211708144

**Note:**

The fastening hole is designed to accept the head of a cap or hexagon head screw or a hexagon nut.

**Application:**

The antibacterial KIPP MEDI grip products are highly effective against a variety of hazardous microorganisms, such as bacteria, fungi and even multi-resistant bacteria (e.g. MRSA). The plastic used incorporates micro-silver particles with an antimicrobial effect to ensure effective results throughout the entire product life cycle.

**Function:**

The growth of harmful micro-organisms on the product surface is effectively disrupted by means of silver ions, and the existing germs on MEDI grip products are consistently reduced (as tested and confirmed by an accredited testing laboratory). During cleaning cycles the risk of infection through touching these products is significantly lower.

**Assembly:**

From the front or rear.

**Advantages:**

Resistant to humidity and cleaning products (during disinfection) with no toxic side effects.

**Applications:**

For installation on machines, equipment, plants and furnishings in areas with increased hygienic requirements (including hospitals, doctors' surgeries, rehabilitation centres and food production facilities), as well as for use in public areas or regularly frequented institutions (i.e. nursing homes or daycare centres).

### KIPP Pull handles antibacterial

Order No.	A	B	C	D	H	L	L1	SW	T	T1	Load capacity N
K0190.1211708144	117	26	10	9	41	136	94	13	15	8	1500
K0190.1215008144	150	27	11	9	44	172	132	13	16	8	1500

## Pull handles antistatic



**Material:**

Thermoplastic PA (polyamide) reinforced.

**Version:**

graphite black.

**Sample order:**

K0190.111170824

**Note:**

The fastening hole is designed to accept the head of a cap or hexagon head screw or a hexagon nut.

**Application:**

Sensitive electrical or electronic equipment, components and devices (ESD sensitive elements) may be damaged or destroyed by electrostatic discharges (ESD) in the immediate vicinity.

Electrostatic discharges can come from people or through handling ESD sensitive components (e.g. during production, assembly, transport, storage etc).

Electrically conductive products which conform to DIN EN 61340-5-1 are essential within electronic environments to prevent an electrostatic discharge. These products can be used for ESD applications or in ESD protection areas (EPA) in accordance with DIN EN 61340-5-1.

**Assembly:**

From the front or rear.

**Safety:**

These ESD products can also be used for devices, components and protection systems in areas with high risk of explosion.

Use of these ESD products prevents the occurrence of electrostatic spark discharges, eliminating the potential ignition of gases and dusts which could lead to explosions in enclosed spaces.

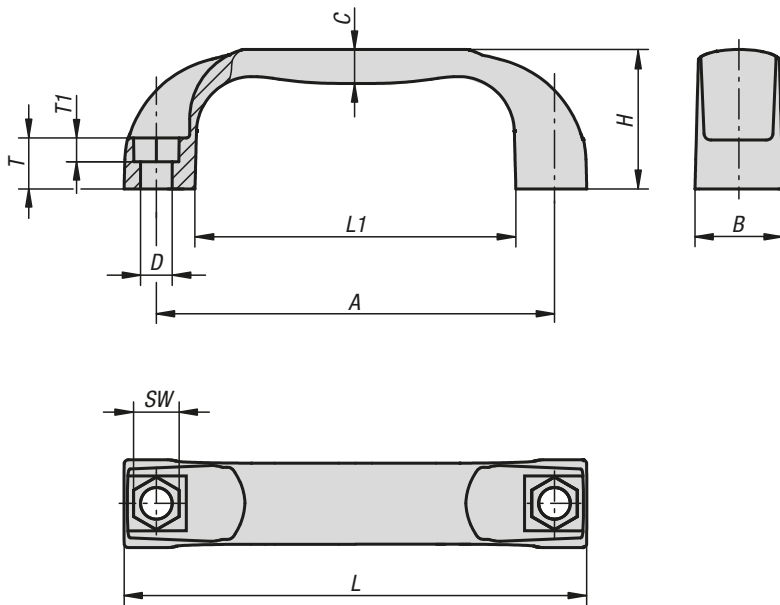
Manufacturers and operators must use and conform to ATEX directives for the protection of persons working in areas with high risk of explosion.

These ESD products are certified by TÜV-Süd in relation to their electrical discharge capability.

**Target groups:**

Device manufacturers required to conform to ATEX product directive 2014/34/EU.

Operators required to conform to ATEX worker protection directive 1999/92/EC.



### KIPP Pull handles antistatic

Order No.	Main colour	A	B	C	D	H	L	L1	SW	T	T1	Load capacity N
K0190.111170824	graphite black RAL 9011	117	26	10	9	41	136	94	13	15	8	1500
K0190.111500824	graphite black RAL 9011	150	27	11	9	44	172	132	13	16	8	1500

## Pull handles



**Material:**

Thermoplastic PA (polyamide), glass-bead reinforced.  
Bush, screw, washer and nut steel or stainless steel.

**Version:**

Black grey

**Sample order:**

K1060.1100051

**Note:**

This pull handle is characterised by its large size and pleasant haptics.

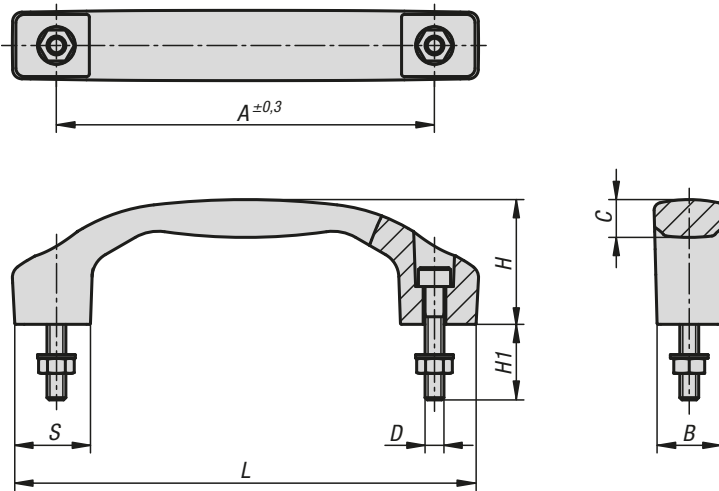
Form A is supplied with fastening screws, washers and nuts.

**Assembly:**

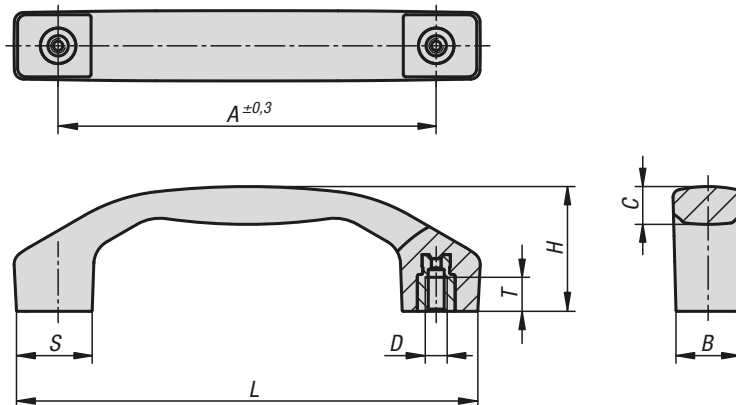
Form A from the front.

Form B from the rear.

(A)



(B)

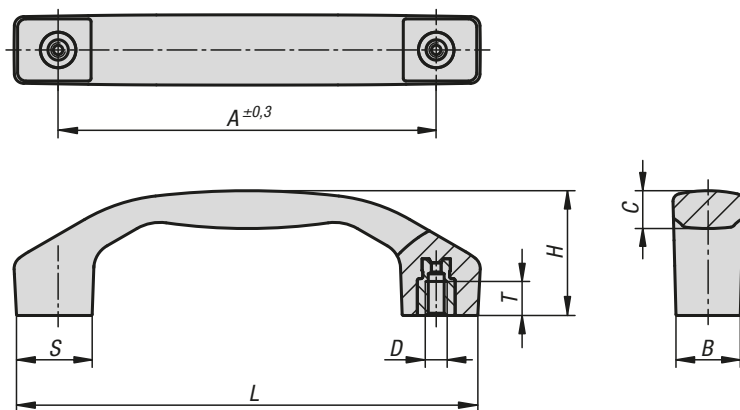


### KIPP Pull handles

Order No.	Form	Component material	A	B	C	D	H	H1	L	S	T	Load capacity N
K1060.1100051	A	steel	100	17	9,5	M5	33	20	122	20	-	1000
K1060.1120061	A	steel	120	21	11,4	M6	39	25	146	24	-	1000
K1060.1140081	A	steel	140	24	14,2	M8	45	30	170	28	-	1000
K1060.1100052	A	stainless steel	100	17	9,5	M5	33	20	122	20	-	1000
K1060.1120062	A	stainless steel	120	21	11,4	M6	39	25	146	24	-	1000
K1060.1140082	A	stainless steel	140	24	14,2	M8	45	30	170	28	-	1000
K1060.2100051	B	steel	100	17	9,5	M5	33	-	122	20	9	1000
K1060.2120061	B	steel	120	21	11,4	M6	39	-	146	24	12	1000
K1060.2140081	B	steel	140	24	14,2	M8	45	-	170	28	12	1000
K1060.2100052	B	stainless steel	100	17	9,5	M5	33	-	122	20	9	1000
K1060.2120062	B	stainless steel	120	21	11,4	M6	39	-	146	24	12	1000
K1060.2140082	B	stainless steel	140	24	14,2	M8	45	-	170	28	12	1000

## Pull handles

high temperature resistant



**Material:**

Thermoplastic PPA (resistant to high temperatures), fibreglass reinforced.  
Bush, stainless steel.

**Version:**

black.

**Sample order:**

K1060.2100054

**Note:**

This pull handle is characterised by its large size and pleasant haptics.  
Easy to clean due to its closed, smooth design (suitable for e.g. foodstuff production and medical technology).

**Temperature range:**

Continuous operating temperature acc. to IEC 216 max. 160 °C.  
Short-term operating temperature: max. 250 °C.  
Suitable for steam sterilisation (medical technology).

**Assembly:**

From the rear.

### KIPP Pull handles, high temperature resistant

Order No.	Form	A	B	C	D	H	L	S	T	Load capacity N
K1060.2100054	B	100	17	10,3	M5	34	122,5	20	9	1000
K1060.2120064	B	120	21	12,4	M6	41	146	24	12	1000
K1060.2140084	B	140	24	15,4	M8	46,5	170	28	12	1000



## Pull handles



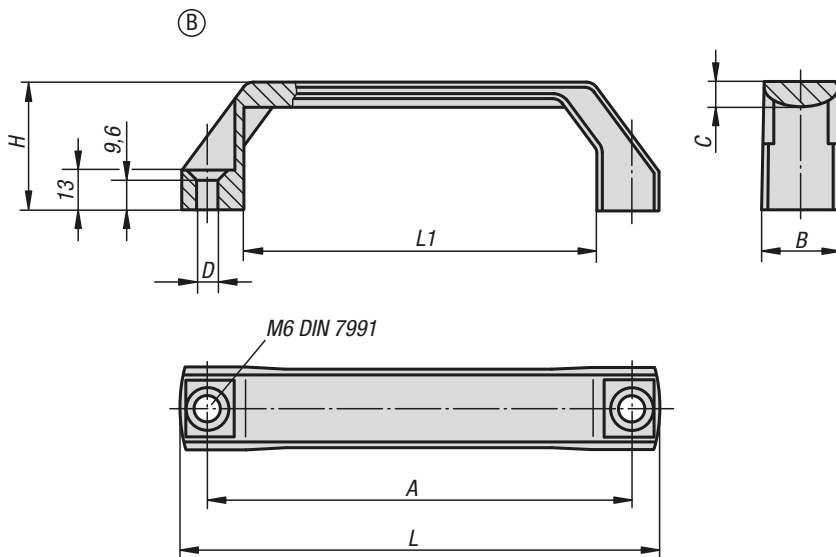
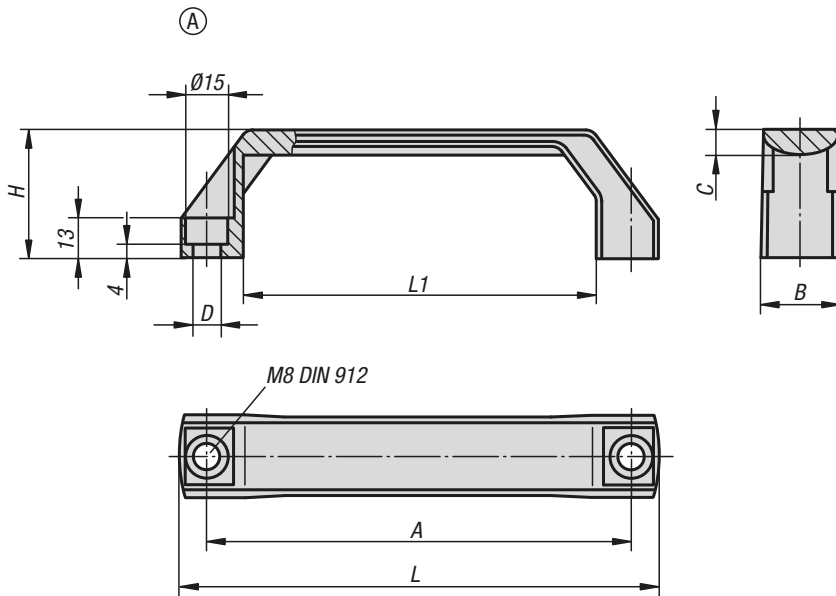
**Material:**  
Glass bead reinforced thermoplastic.

**Version:**  
Black RAL 7021 or orange.

**Sample order:**  
K0191.1120081

**Note:**  
Dimension "A" applies after mounting. Before mounting it can be up to 2 mm smaller due to the release of the bending stress.

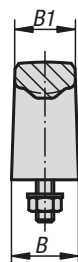
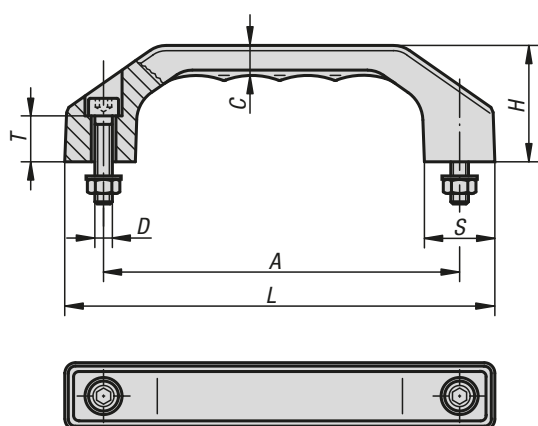
**Assembly:**  
From the front.



### KIPP Pull handles

Order No. black grey RAL 7021	Order No. orange	Form	A	B	C	D	H	L	L1	Load capacity N
K0191.1120081	K0191.1120082	A	120	26	8	9	42	138	96	1000
K0191.1140081	K0191.1140082	A	140	26	8	9	42	158	116	1000
K0191.1160081	K0191.1160082	A	160	28	9	9	45	178	136	1000
K0191.2120061	K0191.2120062	B	120	26	8	6,6	42	138	96	1000
K0191.2140061	K0191.2140062	B	140	26	8	6,6	42	158	116	1000
K0191.2160061	K0191.2160062	B	160	28	9	6,6	45	178	136	1000

## Pull handles



**Material:**

Glass bead reinforced thermoplastic.

**Version:**

Matt black with fine texture.

**Sample order:**

K0200.140082

**Note:**

These handles are extremely flex-resistant and very user friendly. Fastening screws, nuts and washers are supplied. Stainless steel fasteners are supplied for wet areas.

**Assembly:**

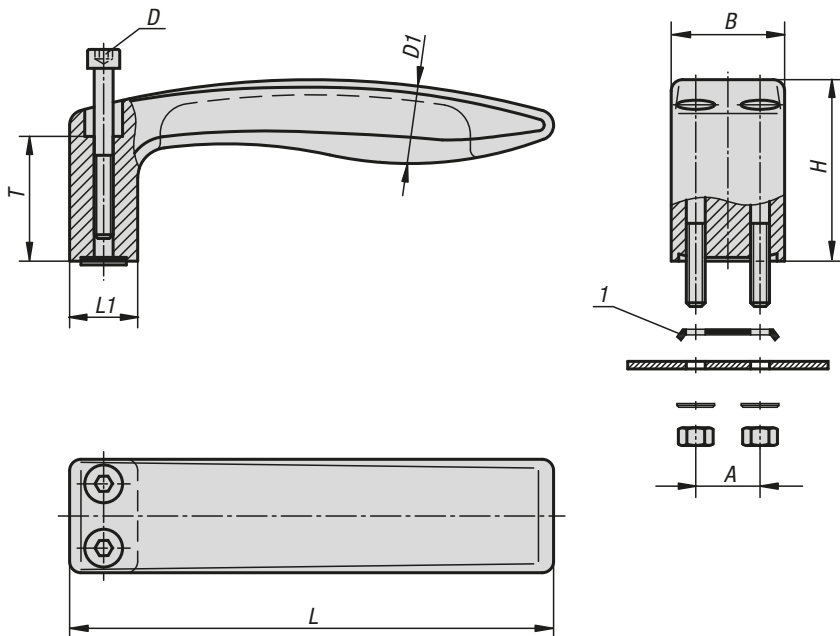
From the front.

### KIPP Pull handles

Order No.	Order No. wet area	A	B	B1	C	D	H	L	S	T	Load capacity N
K0200.100051	K0200.100052	100	19	17	8,5	M5X22	35	122	20	13	1000
K0200.120061	K0200.120062	120	23	20,5	10,5	M6X25	39	146	24	15	1000
K0200.140081	K0200.140082	140	27	24	12	M8X30	45	170	28	16	1000
K0200.160081	K0200.160082	160	31	27,5	13,5	M8X35	52	194	32	20	1000
K0200.180081	K0200.180082	180	35	31	15,5	M10X40	58	218	36	20	1000

## Pull handles

open-ended screw on



**Material:**

Glass-bead reinforced thermoplastic.  
Fastening material 1.4301.

**Version:**

Matt black with fine texture.

**Sample order:**

K0237.12805

**Note:**

These open-ended handles can be mounted right or left. They are form stable and have a high load rating. Fastening bolts, nuts and washers are supplied as is a locking plate to prevent twisting.

**Assembly:**

From the front.

**Drawing reference:**

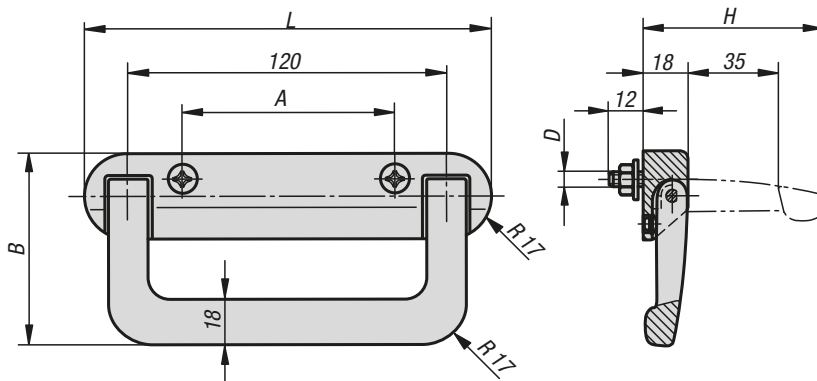
1) locking plate

### KIPP Pull handles open-ended screw on

Order No.	A	B	D	D1	H	L	L1	T	Load capacity N
K0237.12805	17	30	M5x45	20	48	128	18	33	800
K0237.15606	20	36	M6x55	24	58	156	22	40	1000

## Pull handles

fold-down



**Material:**

Frame and grip glass-bead reinforced thermoplastic. Linkpins and return springs stainless steel.

**Version:**

matt black.

**Sample order:**

K0241.080181

**Note:**

The fold-down handle automatically returns to rest. Can be screwed onto a housing panel. Black electro zinc-plated DIN 965 countersunk M6x30 screws with cross slit, washers and nuts are supplied.

**KIPP Pull handles fold-down**

Order No.	A	B	D	H	L	Load capacity N
K0241.080181	80	77	M6	71	154	300

## Pull handles

angled



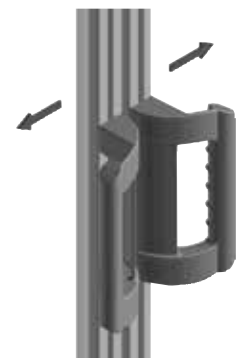
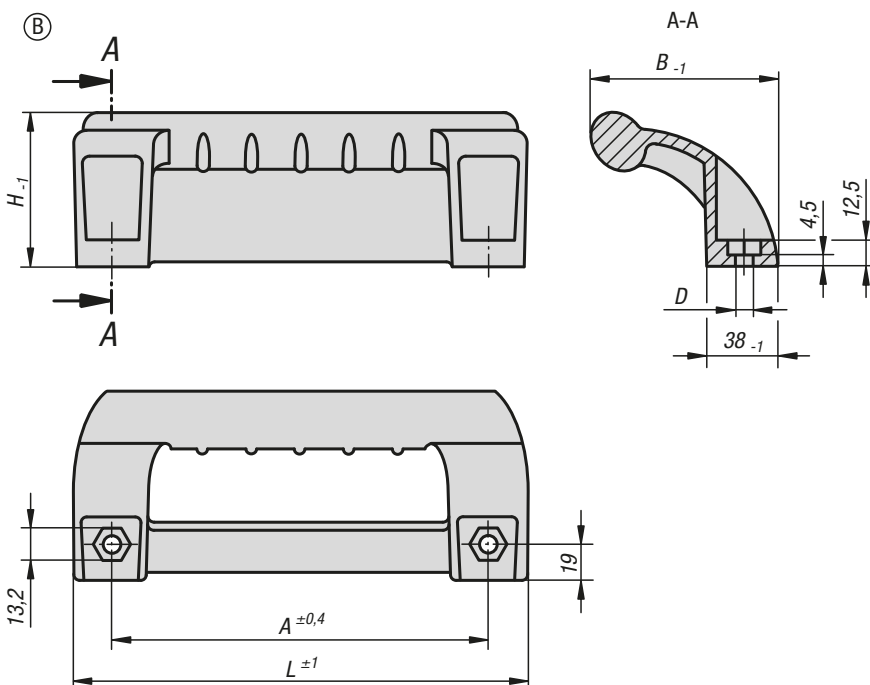
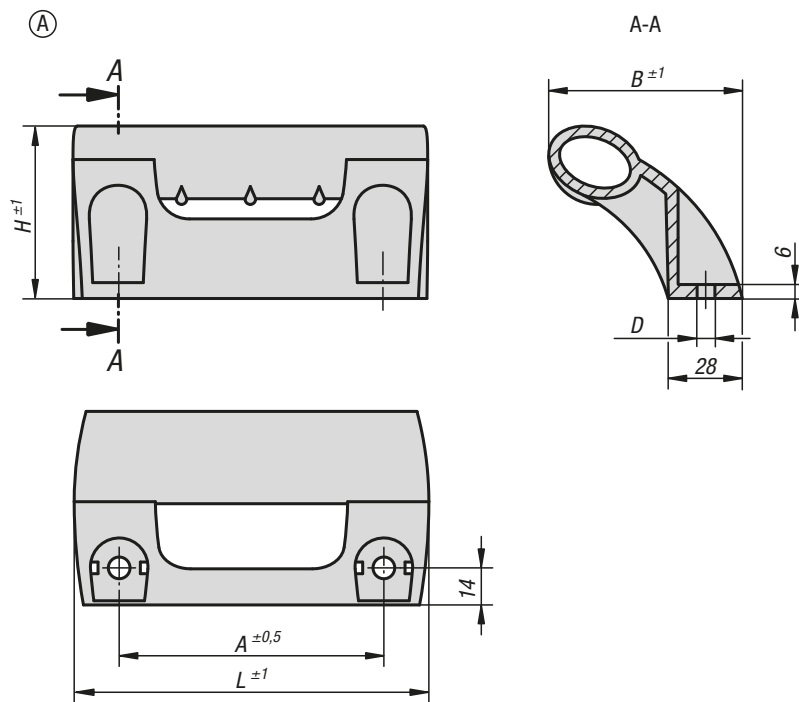
**Material:**  
Glass-bead reinforced thermoplastic PA

**Version:**  
black.

**Sample order:**  
K0244.100081  
K0244.1 (2 per pack)

**Note:**  
Ergonomic design pull handles with finger shield. For mounting on doors, hatches and aluminium profiles. Ideal for double-leaf doors. Fastening with hexagon or socket head M8 bolts.

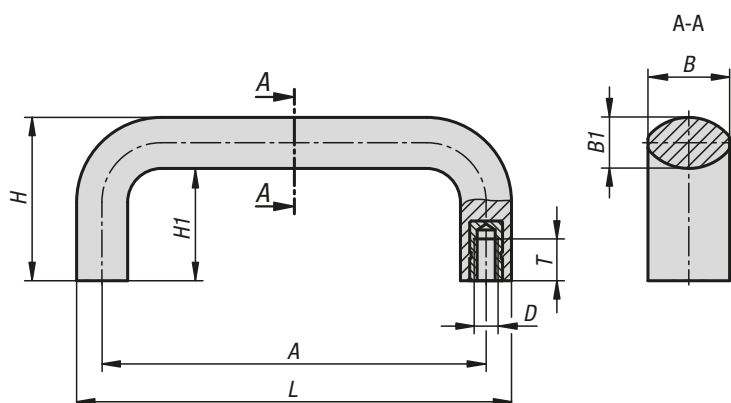
Cover caps are not supplied with the handle, please order separately.



### KIPP Pull handles angled

Order No.	Form	A	B	D	H	L	Load capacity N	Order No. cover caps
K0244.100081	A	100	73	8,5	65	134	1000	K0244.1
K0244.198081	B	198	100	8,8	80	236	1000	K0244.3

## Pull handles



**Material:**  
Fibreglass reinforced thermoplastic.  
Tapped bush brass.

**Version:**  
black.

**Sample order:**  
K1087.08605

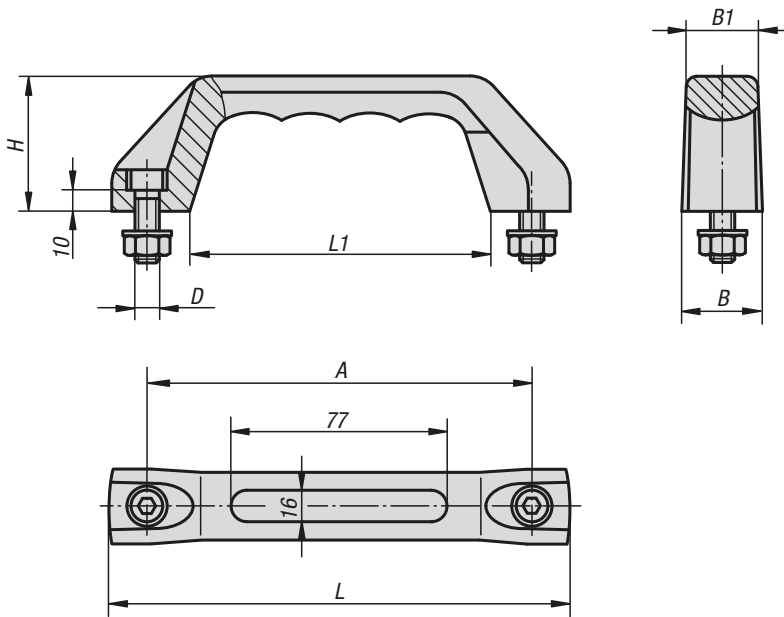
**Assembly:**  
From the rear.

### KIPP Pull handles

Order No.	A	B	B1	D	H	H1	L	T	Load capacity N
K1087.08605	86	20	12	M5	40	28	98,5	10	1000
K1087.08606	86	20	12	M6	40	28	98,5	9	1000
K1087.09405	94	20	12	M5	40	28	106,5	10	1000
K1087.09406	94	20	12	M6	40	28	106,5	9	1000
K1087.11705	117	25	16	M5	50	34	134	10	1000
K1087.11706	117	25	16	M6	50	34	134	9	1000
K1087.11708	117	25	16	M8	50	34	134	14	1000
K1087.12005	120	25	16	M5	50	34	134	10	1000
K1087.12006	120	25	16	M6	50	34	134	9	1000
K1087.12008	120	25	16	M8	50	34	134	14	1000
K1087.13205	132	25	16	M5	50	34	148	10	1000
K1087.13206	132	25	16	M6	50	34	148	9	1000
K1087.13208	132	25	16	M8	50	34	148	14	1000
K1087.15006	150	29	18	M6	58	40	168	15	1000
K1087.15008	150	29	18	M8	58	40	168	14	1000
K1087.15010	150	29	18	M10	58	40	168	14	1000
K1087.17908	179	29	18	M8	58	40	197	14	1000
K1087.17910	179	29	18	M10	58	40	197	14	1000

## Pull handles

with soft inner face



### Material:

Hard components glass-bead reinforced thermoplastic.  
Soft components SEBS

### Version:

Hard component matt black, soft component basalt grey.

### Sample order:

K0171.515008

### Note:

Heavy-duty polyamide handle. Excellent carrying and gripping comfort thanks to its soft inner surface. Black electro zinc-plated cap screws, nuts and washers are supplied. For wet areas, the fastening material is supplied in stainless steel (1.4301).

### Assembly:

From the front.

### On request:

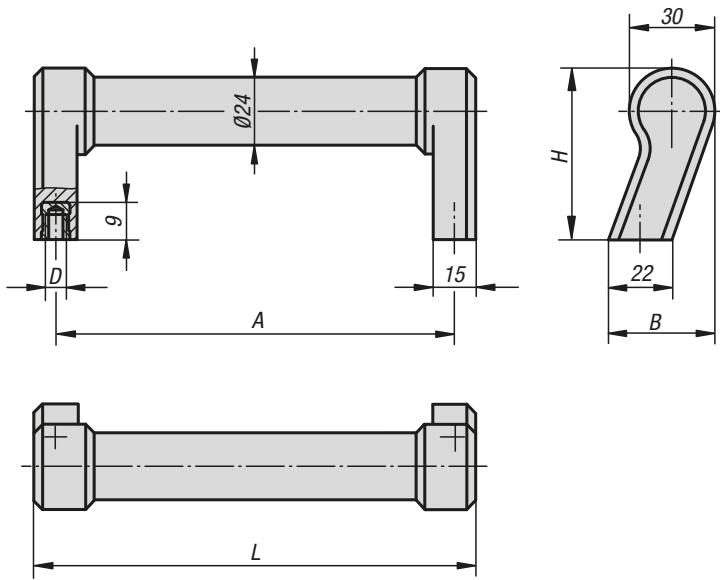
With individual caption, embossed or raised on the soft material. Hard and soft components are available in all RAL colours.

### KIPP Pull handles with soft inner face

Order No.	Version 2	A	B	B1	D	L	L1	H	Load capacity N
K0171.515008	standard	150	29	25,5	M8x25	178	118	53	500
K0171.615008	wet area	150	29	25,5	M8x25	178	118	53	500

## Pull handles

oblique



**Material:**

Grip glass-bead reinforced thermoplastic.  
Bushing brass.

**Version:**

Matt black or light grey

**Sample order:**

K0197.140061

**Note:**

Oblique, robust polyamide handle. Tube and legs form one unit. The oblique contact faces allow mounting under cramped conditions e.g. in corners.

**Assembly:**

From the rear.

### KIPP Pull handles, oblique

Order No.	Main colour	A	B	D	H	L	Load capacity N
K0197.140061	black grey RAL 7021	140	37	M6	60	155	1000
K0197.140062	light grey RAL 7035	140	37	M6	60	155	1000





**Material:**  
Glass-bead reinforced thermoplastic.

**Version:**  
matt black.

**Sample order:**  
K0192.110006

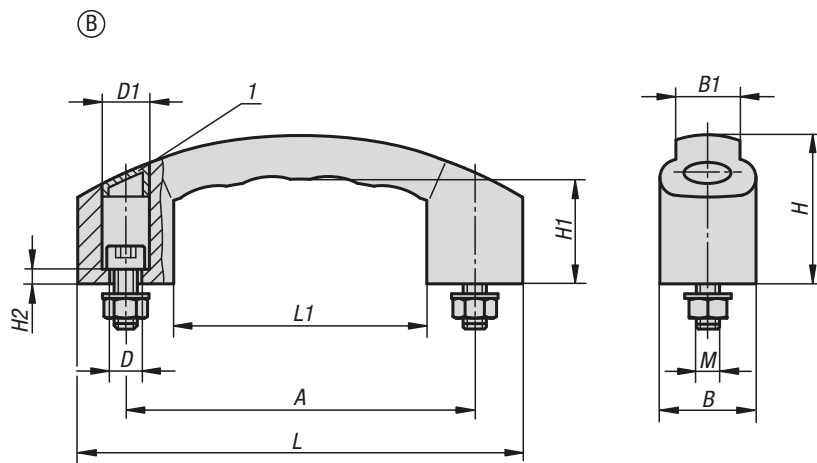
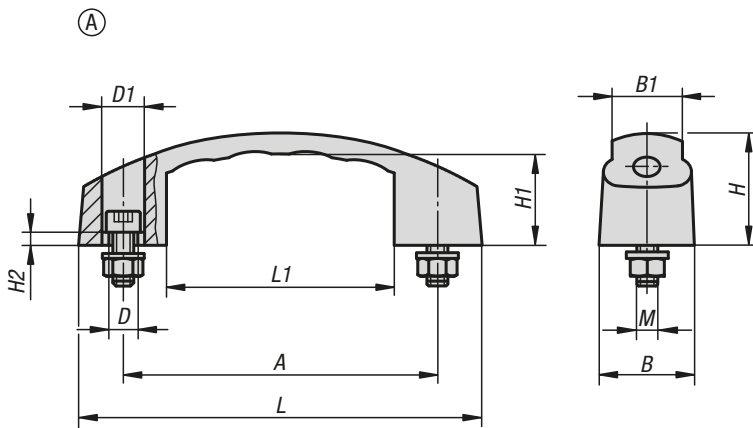
**Note:**  
Ergonomic and functional pull handles with temperature resistance of -50 °C to +130 °C.

Supplied with DIN 912 socket head screws, DIN 934 nuts and DIN 125 electro zinc-plated washers as well as caps for Form B.  
Form A are supplied without caps.

**Assembly:**  
From the front.

**Drawing reference:**  
Form A: without cover cap  
Form B: with cover cap

1) cover cap



### KIPP Pull handles

Order No.	Form	Version	A	B	B1	D	D1	H	H1	H2	L	L1	M	Load capacity N
K0192.110006	A	without cover cap	100	27	22	7	11	38	29	5	130	79	M6x25	600
K0192.112006	A	without cover cap	120	29	23	7	11	38	29	8	150	91	M6x25	600
K0192.212008	B	with cover cap	120	33	22	9	14	51	36	5	153	87	M8x30	1000
K0192.214008	B	with cover cap	140	38	26	9,5	15	59	42	6	178	101	M8x30	1000

## Pull handles arch



**Material:**  
Glass-bead reinforced thermoplastic.

**Version:**  
matt black.

**Sample order:**  
K0193.110006

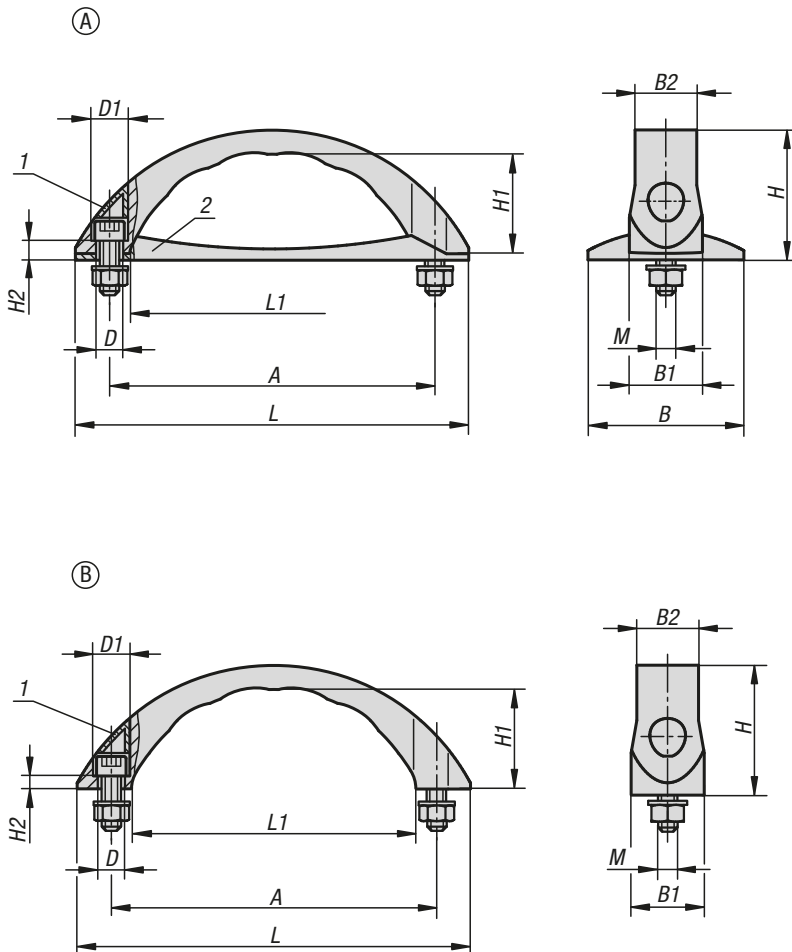
**Note:**  
Ergonomic and functional pull handles with temperature resistance of -50 °C to +130 °C.

Supplied with DIN 912 electro zinc-plated socket head screws, DIN 934 nuts, DIN 125 electro zinc-plated washers and caps.  
The versions K0193.110006 and K0193.210006 are supplied without caps.

**Assembly:**  
From the front.

**Drawing reference:**  
Form A: with base plate  
Form B: without base plate

1) cover cap  
2) base plate

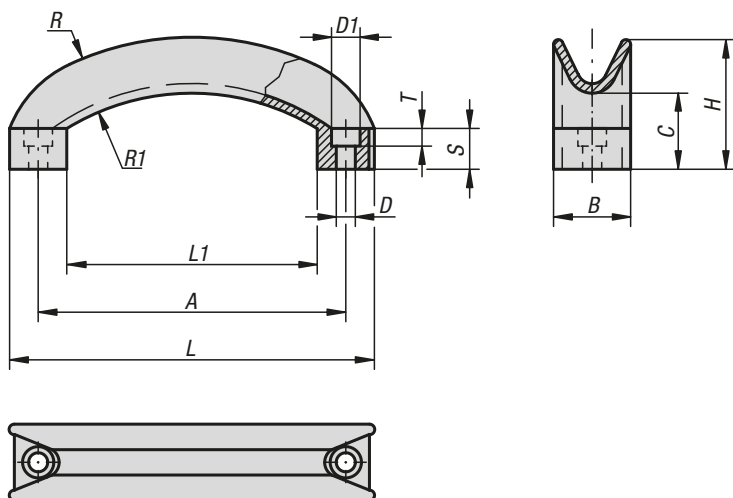


### KIPP Pull handles, arch

Order No.	Form	Type	Version 1	A	B	B1	B2	D	D1	H	H1	H2	L	L1	M	Load capacity N
K0193.110006	A	with base plate	without cover cap	100	48	23	19	7	11	40	29	6	121	84	M6x25	600
K0193.112006	A	with base plate	with cover cap	120	57	28	23	7	12	52	36	7	152	104	M6x25	600
K0193.114008	A	with base plate	with cover cap	140	62	31	25	9,5	16	56	37	7,5	177	122	M8x30	600
K0193.210006	B	without base plate	without cover cap	100	-	23	19	7	11	38	31	4	121	84	M6x25	600
K0193.212006	B	without base plate	with cover cap	120	-	28	23	7	12	50	38	5	152	104	M6x25	600
K0193.214008	B	without base plate	with cover cap	140	-	31	25	9,5	16	54	39	5,5	177	122	M8x30	600

# K0194

## Pull handles arch



**Material:**  
Black grey thermoplastic.

**Sample order:**  
K0194.11406

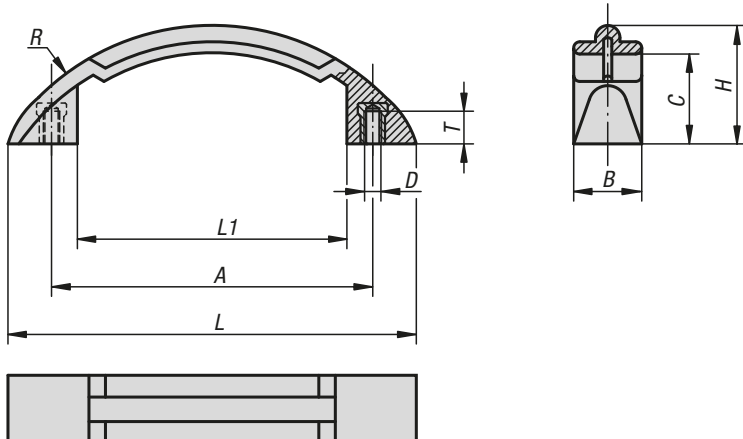
**Assembly:**  
From the front.

### KIPP Pull handles arch

Order No.	A	B	C	D	D1	H	L	L1	R	R1	S	T	Load capacity N
K0194.11406	114	28	29	6,5	10,5	48	134	92	117	79	15	6,5	1000

# K0196

## Pull handles arch



**Material, version:**  
Thermoplastic, black grey.  
Bushes electro zinc-plated steel.

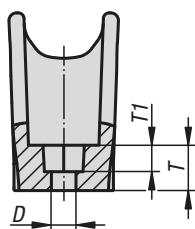
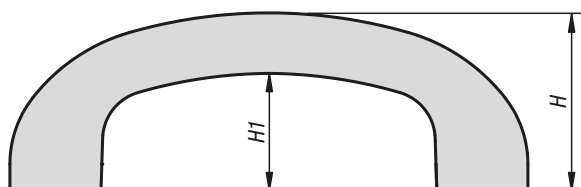
**Sample order:**  
K0196.11906

**Assembly:**  
From the rear.

### KIPP Pull handles arch

Order No.	A	B	C	D	H	L	L1	R	T	Load capacity N
K0196.11906	119	25	33	M6	43,5	150	98	94	10	1000

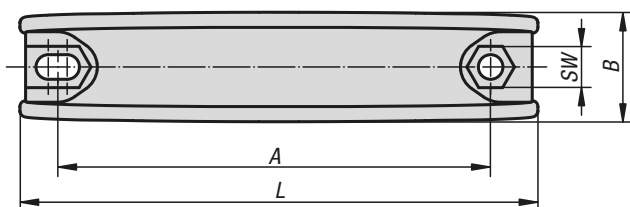
## Pull handles arch



**Material:**  
Black thermoplastic.

**Sample order:**  
K1217.09006

**Assembly:**  
From the front.



### KIPP Pull handles arch

Order No.	A	B	D	H	H1	L	T	T1	SW	Load capacity N
K1217.09006	90-95	26,6	6,5	42	29	115	10	6,4	10,2	1000
K1217.11206	112-117	29	6,5	47	31	137	12	7	10,2	1000
K1217.17708	177-182	30	8,5	48,1	31	208	14	9	13,2	1000

## Tubular handles, plastic



**Material:**

Grip legs PA6 plastic.  
Grip tube PVC plastic.

**Version:**

Grip legs fine textured, black.  
Grip tube turned, black.

**Sample order:**

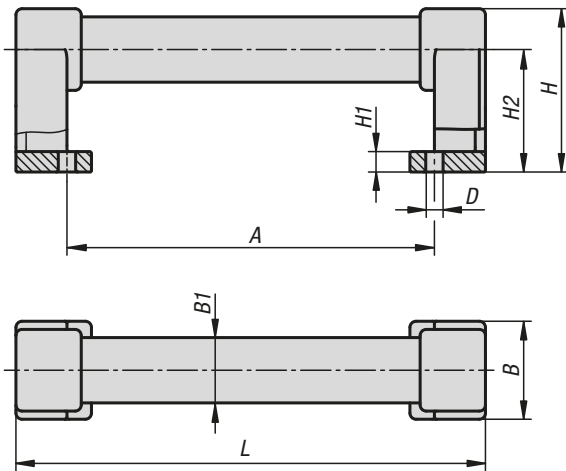
K1528.180

**Note:**

Optically matching K1529 and K1530.

**Assembly:**

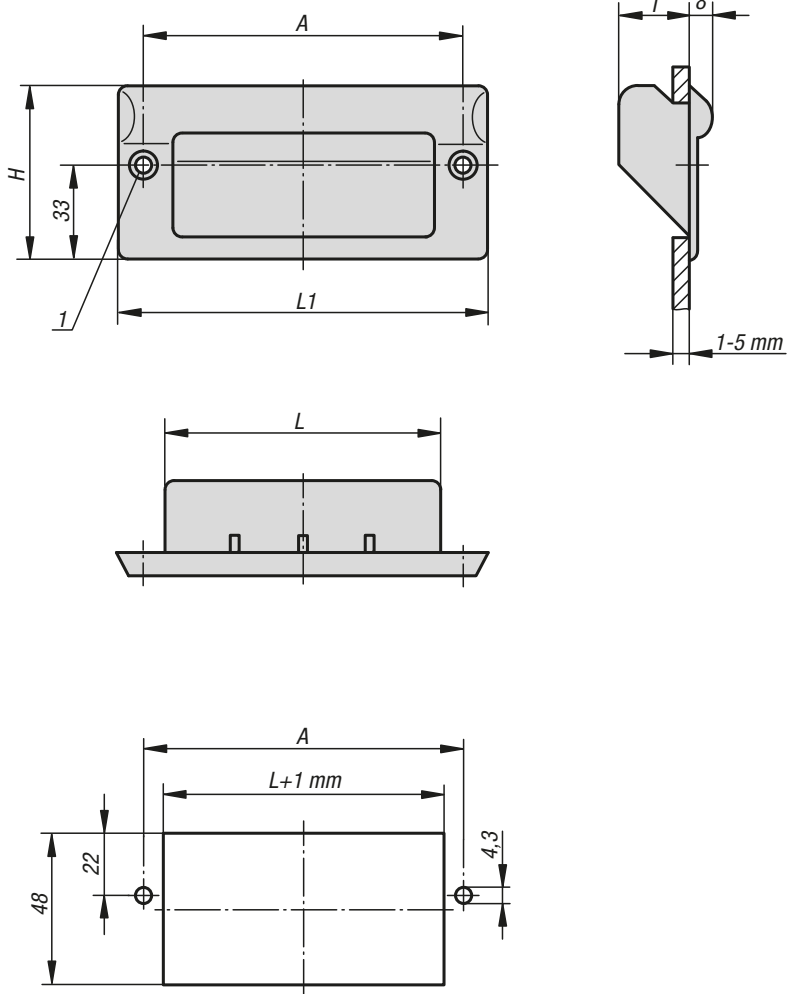
From the front.



### KIPP Tubular handles, plastic

Order No.	A	B	B1	D	H	H1	H2	L	Load capacity N
K1528.180	180	48	32	8,5	80	10	60	230	1000

## Recessed handles



**Material:**

Glass bead reinforced thermoplastic.

**Version:**

Semi-matt, black or light grey.

**Sample order:**

K0242.1082041

**Note:**

These ergonomically shaped handles are ideally suited for wall thicknesses of 1-5 mm.

**Assembly:**

The handle is inserted in the cutout of the housing panel and then fixed from the front with 2 countersunk screws (not supplied).

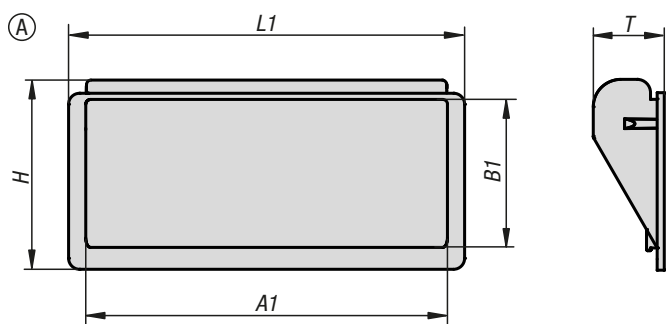
**Drawing reference:**

1) for countersunk screws M4

### KIPP Recessed handles

Order No.	Main colour	A	H	L	L1	T	Load capacity N
K0242.1082041	black	82	61	67	100	25	1000
K0242.1112041	black	112	61	97	130	25	1000
K0242.1082042	light grey RAL 7035	82	61	67	100	25	1000
K0242.1112042	light grey RAL 7035	112	61	97	130	25	1000

## Recessed handles



The ergonomic form of the recessed handle is ideally suited for appliances and housings. It is installed by pressing in and clipping into the mounting opening.

**Material:**  
Thermoplastic (ABS).

**Version:**  
black.

**Sample order:**  
K1077.1101

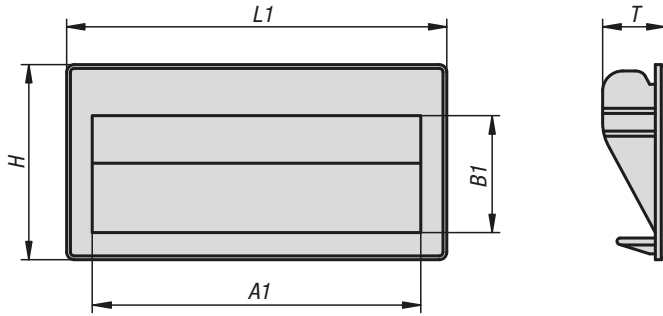
**Note:**  
This handle can be used with a wall thickness of 0.75 to 1.5 mm.  
The retaining force is 750 N per pair for steel and sheet steel housings.

K1077.1101 is supplied with spring clips for mounting on the inside wall of the housing.

### KIPP Recessed handles

Order No.	Version 2	A1	B1	H	L1	T	Mounting cutout	Load capacity N
K1077.0901	plug-in	79	30	40	90	16	83 x 34	375
K1077.1101	plug-in	95	33,8	56,3	110	18	103 x 49	375

## Recessed handles



**Material:**  
Thermoplastic (ABS).

**Version:**  
black.

**Sample order:**  
K1078.1871

**Note:**  
This handle can be used with a wall thickness of 1.5 to 2 mm.  
The retaining force is 750 N per pair in steel and plate housings.

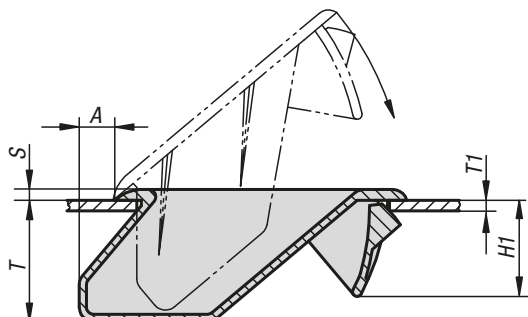
### KIPP Recessed handles

Order No.	Version 2	A1	B1	H	L1	T	Mounting cutout	Load capacity N
K1078.1871	plug-in	164	54	79	187	22	171 x 73	375



## Recessed grips

clip-in



**Material:**  
Polyamide.

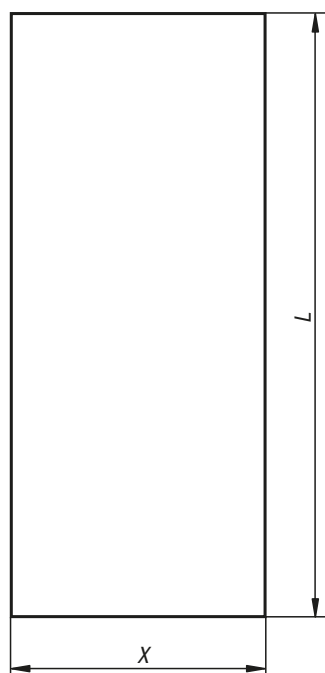
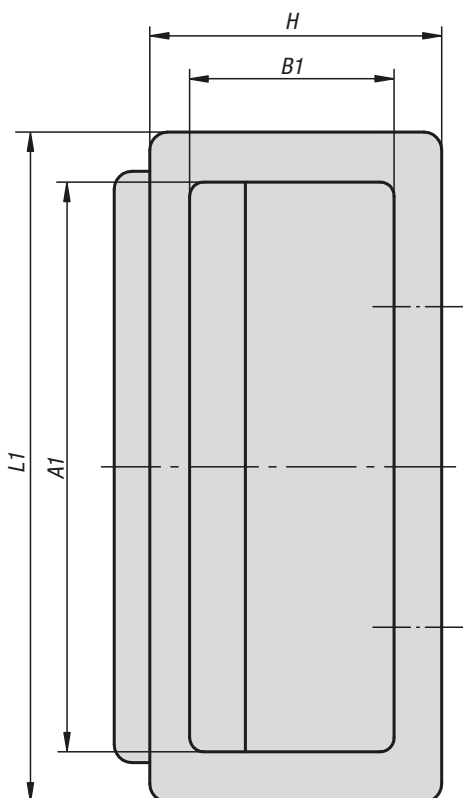
**Version:**  
black.

**Sample order:**  
K1306.09441

**Note:**  
Recessed grips for clipping into material with a thickness 0.75 to 3.5 mm.

See drawing for installation cut-out dimensions for the various material thicknesses.

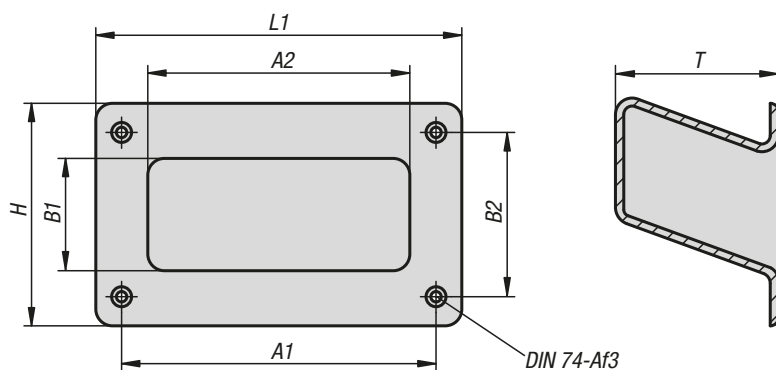
	T1	X	L
T1 = 0,75 - 2,2	0,75 - 0,79	34,8 +0,2	85,0 +0,2
	0,8 - 1,4	35,0 +0,2	85,0 +0,2
	1,5 - 2,2	36,0 +0,2	85,0 +0,2
T1 = 1,5 - 3,5	1,5 - 2,0	49,6 +0,2	100 -0,5
	2,0 - 3,2	50,3 +0,3	100 -0,5
	3,2 - 3,5	51,0 +0,3	100 -0,5



### KIPP Recessed grip, clip-in

Order No.	A	A1	B1	H	H1	L1	S	T
K1306.09441	5	80	28,7	41	13,5	94	1,5	17
K1306.11057	10	94	40,3	57	18,65	110	2	26

## Recessed handles

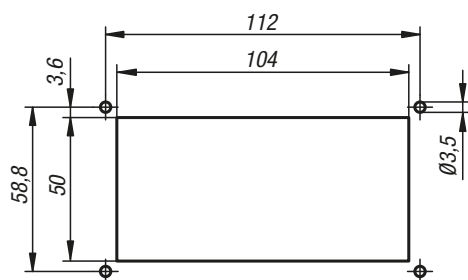


**Material:**  
Thermoplastic (ABS).

**Version:**  
black.

**Sample order:**  
K1079.1121

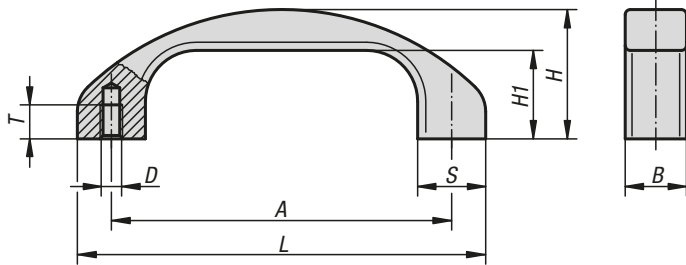
**Note:**  
Max. load 500 N/pair.



### KIPP Recessed handles

Order No.	Version 2	A1	A2	B1	B2	H	L1	T	Load capacity N
K1079.1121	screw on	112	94	40	58,8	79	131	58	250

## Pull handles



**Material:**  
Profile aluminium EN AW-6060

**Version:**  
High quality anodised version, glass-bead blasted, semi-gloss finish.

**Sample order:**  
K0195.120061

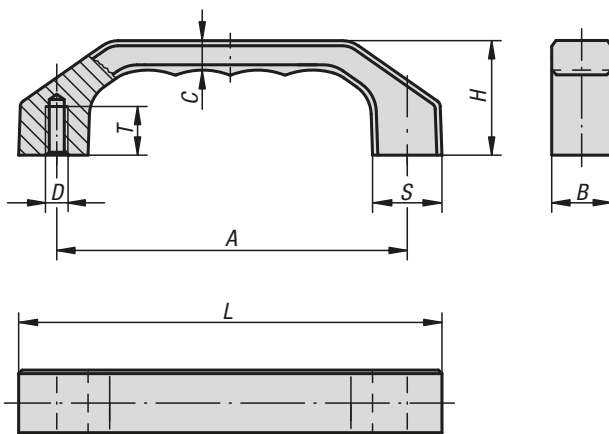
**Assembly:**  
From the rear.

### KIPP Pull handles

Order No.	Main colour	A	B	D	H	H1	L	S	T	Load capacity N
K0195.120061	black anodised	120	22	M6	46	31	144	24	12	1000
K0195.140081	black anodised	140	25	M8	53	36	168	28	15	1000
K0195.120063	natural anodised	120	22	M6	46	31	144	24	12	1000
K0195.140083	natural anodised	140	25	M8	53	36	168	28	15	1000

# K0199

## Pull handles



**Material:**  
EN AW-6060

**Version:**  
Matt-finished and anodised or powder-coated

**Sample order:**  
K0199.140082

**Assembly:**  
From the rear.

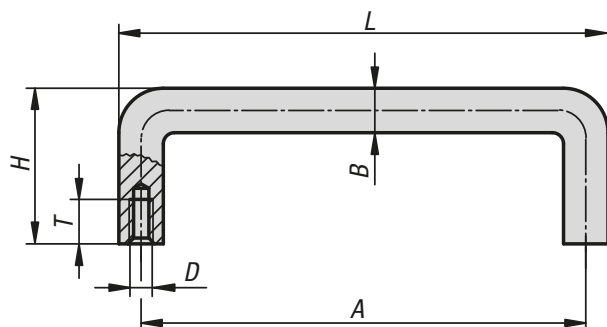
### KIPP Pull handles

Order No. natural	Order No. black	Order No. titanium	A	B	C	D	H	L	S	T	Load capacity N
K0199.120061	K0199.120062	K0199.120063	120	22	10,5	M6	39	146	24	15	1000
K0199.140081	K0199.140082	K0199.140083	140	25	12	M8	45	170	28	16	1000
K0199.160081	K0199.160082	K0199.160083	160	28	13,5	M8	52	194	32	16	1000

## Pull handles, aluminium

round

19"



**Material:**  
Aluminium.

**Version:**  
Natural or black anodised.

**Sample order:**  
K0201.064043

**Note for ordering:**  
Order the fastening material and end washers separately.

**Assembly:**  
From the rear.

**Accessories:**  
End washers K0201.

### KIPP Pull handles, aluminium, round

Order No. black	Order No. natural	A	B	D	H	L	T	Load capacity N	Order No. end washer
K0201.032041	K0201.032043	32	8	M4	32	40	10	500	K0201.4/K0201.5
K0201.055041	K0201.055043	55	8	M4	32	63	10	500	K0201.4/K0201.5
K0201.064041	K0201.064043	64	8	M4	32	72	10	500	K0201.4/K0201.5
K0201.076041	K0201.076043	76	8	M4	32	84	10	500	K0201.4/K0201.5
K0201.088041	K0201.088043	88	8	M4	32	96	10	500	K0201.4/K0201.5
K0201.096041	K0201.096043	96	8	M4	32	104	10	500	K0201.4/K0201.5
K0201.098041	K0201.098043	98	8	M4	32	106	10	500	K0201.4/K0201.5
K0201.100041	K0201.100043	100	8	M4	32	108	10	500	K0201.4/K0201.5
K0201.102041	K0201.102043	102	8	M4	32	110	10	500	K0201.4/K0201.5
K0201.120041	K0201.120043	120	8	M4	32	128	10	500	K0201.4/K0201.5
K0201.136041	K0201.136043	136	8	M4	32	144	10	500	K0201.4/K0201.5

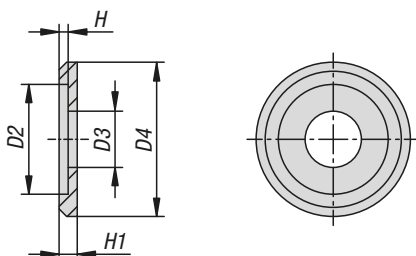
## Pull handles, aluminium

round



Order No. black	Order No. natural	A	B	D	H	L	T	Load capacity N	Order No. end washer
K0201.055051	K0201.055053	55	10	M5	40	65	10	500	K0201.1/K0201.3
K0201.064051	K0201.064053	64	10	M5	40	74	10	500	K0201.1/K0201.3
K0201.076051	K0201.076053	76	10	M5	40	86	10	500	K0201.1/K0201.3
K0201.088051	K0201.088053	88	10	M5	40	98	10	500	K0201.1/K0201.3
K0201.096051	K0201.096053	96	10	M5	40	106	10	500	K0201.1/K0201.3
K0201.098051	K0201.098053	98	10	M5	40	108	10	500	K0201.1/K0201.3
K0201.100051	K0201.100053	100	10	M5	40	110	10	500	K0201.1/K0201.3
K0201.102051	K0201.102053	102	10	M5	40	112	10	500	K0201.1/K0201.3
K0201.120051	K0201.120053	120	10	M5	40	130	10	500	K0201.1/K0201.3
K0201.136051	K0201.136053	136	10	M5	40	146	10	500	K0201.1/K0201.3
K0201.140051	K0201.140053	140	10	M5	40	150	10	500	K0201.1/K0201.3
K0201.160051	K0201.160053	160	10	M5	40	170	10	500	K0201.1/K0201.3
K0201.180051	K0201.180053	180	10	M5	40	190	10	500	K0201.1/K0201.3
K0201.200051	K0201.200053	200	10	M5	40	210	10	500	K0201.1/K0201.3
K0201.235051	K0201.235053	235	10	M5	40	245	10	500	K0201.1/K0201.3
K0201.250051	K0201.250053	250	10	M5	40	260	10	500	K0201.1/K0201.3
K0201.300051	K0201.300053	300	10	M5	40	310	10	500	K0201.1/K0201.3
K0201.350051	K0201.350053	350	10	M5	40	360	10	500	K0201.1/K0201.3
K0201.120061	K0201.120063	120	12	M6	42	132	12	500	K0201.6/K0201.7
K0201.136061	K0201.136063	136	12	M6	42	148	12	500	K0201.6/K0201.7
K0201.140061	K0201.140063	140	12	M6	42	152	12	500	K0201.6/K0201.7
K0201.160061	K0201.160063	160	12	M6	42	172	12	500	K0201.6/K0201.7
K0201.180061	K0201.180063	180	12	M6	42	192	12	500	K0201.6/K0201.7
K0201.200061	K0201.200063	200	12	M6	42	212	12	500	K0201.6/K0201.7
K0201.235061	K0201.235063	235	12	M6	42	247	12	500	K0201.6/K0201.7
K0201.250061	K0201.250063	250	12	M6	42	262	12	500	K0201.6/K0201.7
K0201.300061	K0201.300063	300	12	M6	42	312	12	500	K0201.6/K0201.7
K0201.350061	K0201.350063	350	12	M6	42	362	12	500	K0201.6/K0201.7
K0201.140081	K0201.140083	140	16	M8	58	156	12	500	-
K0201.160081	K0201.160083	160	16	M8	58	176	12	500	-
K0201.180081	K0201.180083	180	16	M8	58	196	12	500	-
K0201.200081	K0201.200083	200	16	M8	58	216	12	500	-
K0201.235081	K0201.235083	235	16	M8	58	251	12	500	-
K0201.250081	K0201.250083	250	16	M8	58	266	12	500	-
K0201.300081	K0201.300083	300	16	M8	58	316	12	500	-
K0201.350081	K0201.350083	350	16	M8	58	366	12	500	-
K0201.200101	K0201.200103	200	20	M10	70	220	19	500	-
K0201.235101	K0201.235103	235	20	M10	70	255	19	500	-
K0201.250101	K0201.250103	250	20	M10	70	270	19	500	-
K0201.300101	K0201.300103	300	20	M10	70	320	19	500	-
K0201.350101	K0201.350103	350	20	M10	70	370	19	500	-

## End washers, aluminium



The end washers are designed for round pull handles. The washer enlarges the screw-on surface, thus minimising the risk of breaking through with thin-walled sheets.

**Material:**  
Aluminium.

**Version:**  
Natural or black anodised.

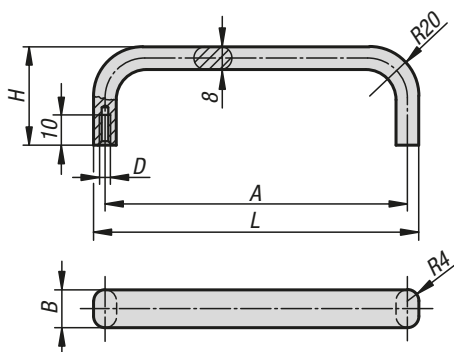
**Sample order:**  
K0201.3

### KIPP End washers, aluminium

Order No.	Main colour	D2	D3	D4	H	H1	for screws
K0201.5	natural	8,1	4,2	12,5	1	2	M4
K0201.3	natural	10,1	5,2	15	1	2	M5
K0201.7	natural	12,1	6,2	17	1	2	M6
K0201.4	black	8,1	4,2	12,5	1	2	M4
K0201.1	black	10,1	5,2	15	1	2	M5
K0201.6	black	12,1	6,2	17	1	2	M6

## Pull handles oval

19"



### KIPP Pull handles oval

Order No. black	Order No. natural	A	B	D	H	L	Load capacity N
K0202.055051	K0202.055053	55	12	M5	40	63	500
K0202.088051	K0202.088053	88	12	M5	40	96	500
K0202.100051	K0202.100053	100	12	M5	40	108	500
K0202.120051	K0202.120053	120	12	M5	40	128	500
K0202.180051	K0202.180053	180	12	M5	40	188	500
K0202.200051	K0202.200053	200	12	M5	40	208	500
K0202.235051	K0202.235053	235	12	M5	40	243	500
K0202.250051	K0202.250053	250	12	M5	40	258	500



**Material:**  
Oval aluminium.

**Version:**  
Surface matt-finished and natural colour or black anodised.

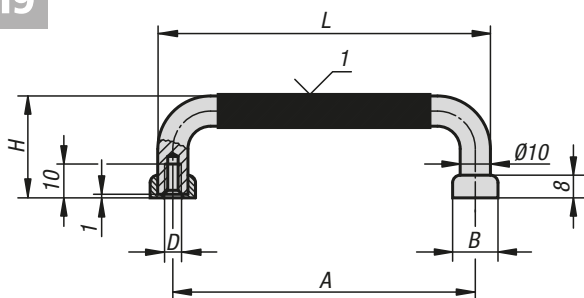
**Sample order:**  
K0202.055051

**Assembly:**  
From the rear.

# K0203

## Pull handles round

19"



### KIPP Pull handles round

Order No.	A	B	D	H	L	Load capacity N
K0203.05505	55	14	M5	41	65	1000
K0203.08805	88	14	M5	41	98	1000
K0203.10005	100	14	M5	41	110	1000
K0203.10205	102	14	M5	41	112	1000
K0203.11505	115	14	M5	41	125	1000
K0203.12005	120	14	M5	41	130	1000
K0203.13605	136	14	M5	41	146	1000
K0203.18005	180	14	M5	41	190	1000
K0203.20005	200	14	M5	41	210	1000
K0203.23505	235	14	M5	41	245	1000
K0203.25005	250	14	M5	41	260	1000



**Material:**  
Round steel

**Version:**  
Surface very finely ground and matt-polish chrome-plated.  
Grip plastic coated.

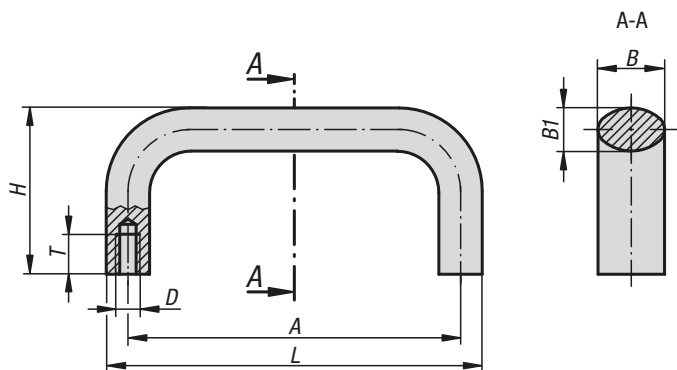
**Sample order:**  
K0203.05505

**Note:**  
High quality handles for front panels and similar applications.

**Assembly:**  
From the rear.

**Drawing reference:**  
1) plastic coating

## Pull handles oval



**Material:**

Oval aluminium EN AW-6060

**Version:**

Black or ruby red RAL 3003 powder-coated, natural tone anodised or bright vibratory ground.

**Sample order:**

K0204.10001

**Note:**

These pull handles are extremely robust and can also be used where rough usage is expected. The bright vibratory-ground version can be painted or coated after assembly.

**Assembly:**

From the rear.

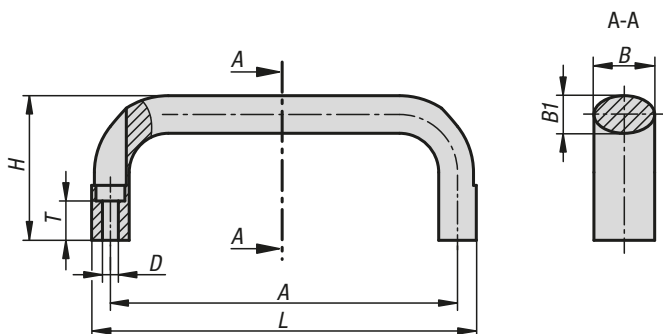
### KIPP Pull handles, oval

Order No. black powder-coated	Order No. natural anodised	Order No. ruby red powder-coated	Order No. - bright and tumbled	A	B	B1	D	H	T	L	Load capacity N
K0204.10001	K0204.110003	K0204.10027	K0204.100	100	21	13	M6	50	12	113	1000
K0204.11201	K0204.111203	K0204.11227	K0204.112	112	21	13	M6	50	12	125	1000
K0204.1120108	K0204.11120308	K0204.1122708	K0204.11208	112	25	17	M8	55	14	129	1000
K0204.12001	K0204.112003	K0204.12027	K0204.120	120	21	13	M6	50	12	133	1000
K0204.1200108	K0204.11200308	K0204.1202708	K0204.12008	120	25	17	M8	55	14	137	1000
K0204.12801	K0204.112803	K0204.12827	K0204.128	128	21	13	M6	50	12	141	1000
K0204.1280108	K0204.11280308	K0204.1282708	K0204.12808	128	25	17	M8	55	14	145	1000
K0204.1600106	K0204.11600306	K0204.1602706	K0204.16006	160	21	13	M6	50	12	173	1000
K0204.16001	K0204.116003	K0204.16027	K0204.160	160	25	17	M8	55	14	177	1000
K0204.18001	K0204.118003	K0204.18027	K0204.180	180	25	17	M8	55	14	197	1000
K0204.19201	K0204.119203	K0204.19227	K0204.192	192	25	17	M8	55	14	209	1000
K0204.35001	K0204.135003	K0204.35027	K0204.350	350	25	17	M8	55	14	367	1000



## Pull handles oval

with thru hole



**Material:**

Oval aluminium EN AW-6060

**Version:**

Black or ruby red RAL 3003, powder-coated.

**Sample order:**

K0204.11120105

**Assembly:**

From the front.

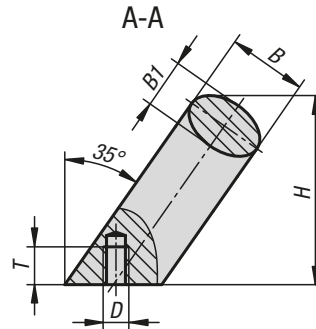
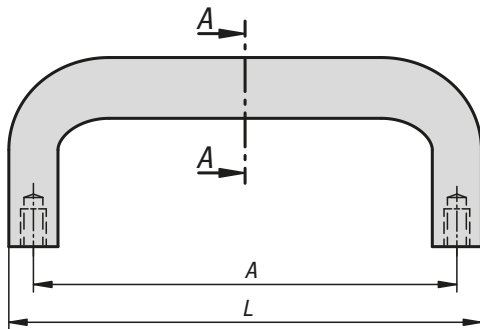
**Accessories:**

Use ISO 4762-M5/M6 cap screws for mounting the handles.

### KIPP Pull handles, oval with thru hole

Order No. black	Order No. ruby red	A	B	B1	D	H	L	T	Load capacity N
K0204.11000105	K0204.11002705	100	21	13	5,5	50	113	13,6	1000
K0204.11120105	K0204.11122705	112	21	13	5,5	50	125	13,6	1000
K0204.11120106	K0204.11122706	112	25	17	6,6	55	129	11	1000
K0204.11200105	K0204.11202705	120	21	13	5,5	50	133	13,6	1000
K0204.11200106	K0204.11202706	120	25	17	6,6	55	137	11	1000
K0204.11280105	K0204.11282705	128	21	13	5,5	50	141	13,6	1000
K0204.11280106	K0204.11282706	128	25	17	6,6	55	145	11	1000
K0204.11600105	K0204.11602705	160	21	13	5,5	50	173	13,6	1000
K0204.11600106	K0204.11602706	160	25	17	6,6	55	177	11	1000
K0204.11800106	K0204.11802706	180	25	17	6,6	55	197	11	1000

## Pull handles aluminium, oval, slanted



These slanted pull handles are particularly suitable for mounting in places where space is limited. These handles are very strong and robust and can also be used where robust handling is required.

**Material:**  
Aluminium EN AW-6063

**Version:**  
Black or traffic red RAL 3020 powder-coated, natural colour anodised or bright.

**Sample order:**  
K1634.1000106

**Note:**  
The bright version can be painted or coated after assembly.

**Application:**  
Where space is limited in machine and plant construction, toolmaking, furniture industry, rehabilitation and medical technology

**Assembly:**  
From the rear.

**Advantages:**  
Good access where space is limited.  
Very stable and robust.  
Retaining element for opening and closing covers, panels and hoods.

### KIPP Pull handles aluminium, oval, slanted

Order No. black powder-coated	Order No. natural anodised	Order No. traffic red RAL 3020 powder-coated	Order No. - bright	A	B	B1	D	H	L	T	Load capacity N
K1634.1000106	K1634.1000306	K1634.1002706	K1634.10006	100	21	13	M6	50	113	10	1000
K1634.1120106	K1634.1120306	K1634.1122706	K1634.11206	112	21	13	M6	50	125	10	1000
K1634.1200106	K1634.1200306	K1634.1202706	K1634.12006	120	21	13	M6	50	133	10	1000
K1634.1280106	K1634.1280306	K1634.1282706	K1634.12806	128	21	13	M6	50	141	10	1000
K1634.1600106	K1634.1600306	K1634.1602706	K1634.16006	160	21	13	M6	50	173	10	1000
K1634.1120108	K1634.1120308	K1634.1122708	K1634.11208	112	25	17	M8	55	129	12	1000
K1634.1200108	K1634.1200308	K1634.1202708	K1634.12008	120	25	17	M8	55	137	12	1000
K1634.1280108	K1634.1280308	K1634.1282708	K1634.12808	128	25	17	M8	55	145	12	1000
K1634.1600108	K1634.1600308	K1634.1602708	K1634.16008	160	25	17	M8	55	177	12	1000
K1634.1800108	K1634.1800308	K1634.1802708	K1634.18008	180	25	17	M8	55	197	12	1000

## Pull handles



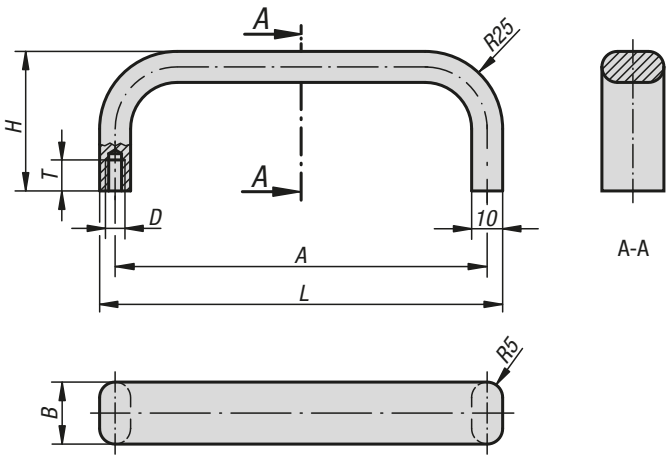
**Material:**  
Profile aluminium EN AW-6060

**Version:**  
Matt-finished, black or natural colour anodised

**Sample order:**  
K0205.18001

**Note:**  
These elegant flat profile aluminium handles are especially suitable for machines, fixtures, equipment etc.

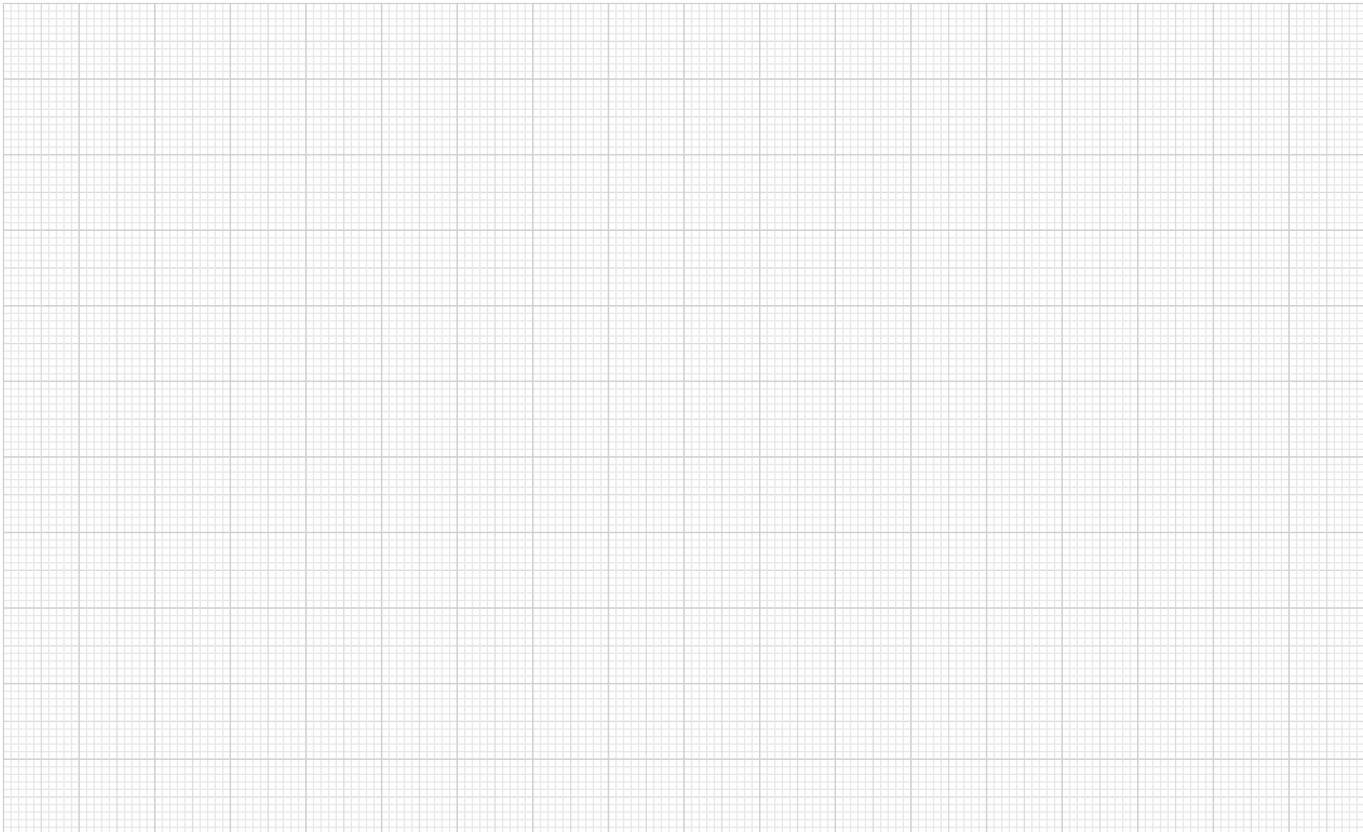
**Assembly:**  
From the rear.



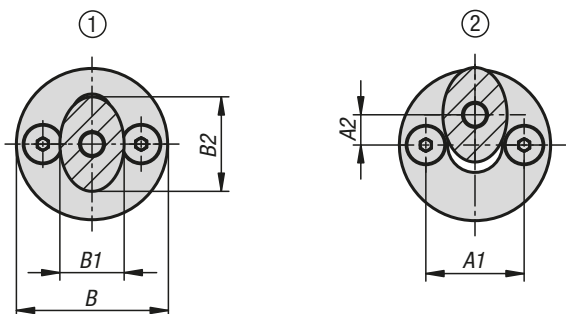
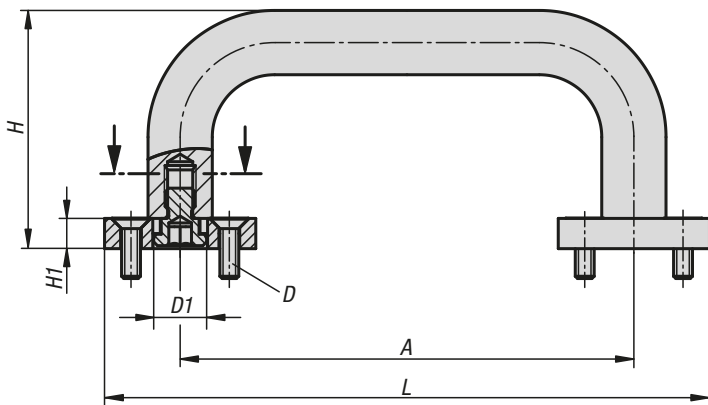
### KIPP Pull handles

Order No. black	Order No. natural	A	B	D	H	L	T	Load capacity N
K0205.12001	K0205.12003	120	20	M5	45	130	10	500
K0205.18001	K0205.18003	180	20	M5	45	190	10	500
K0205.20001	K0205.20003	200	20	M5	45	210	10	500
K0205.35001	K0205.35003	350	20	M6	45	360	12	500

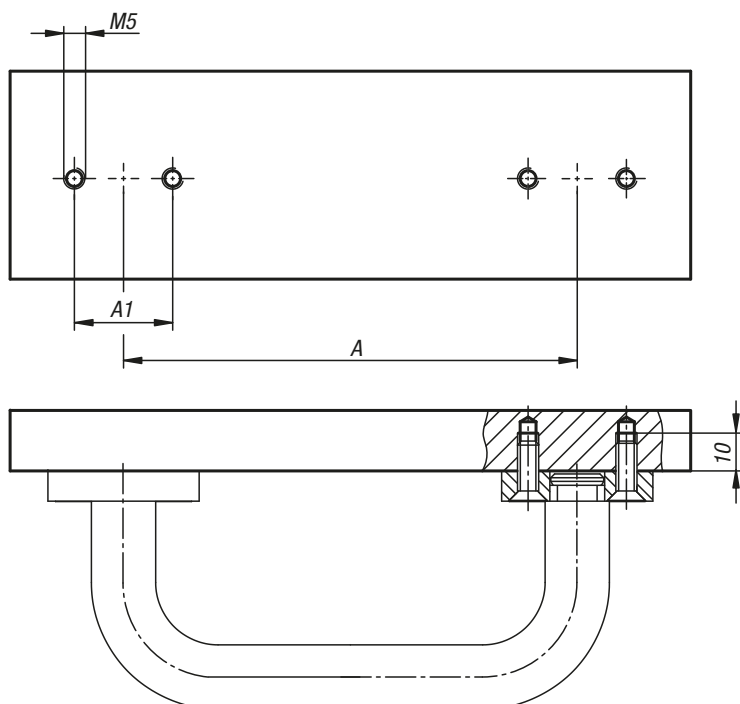
## Notes



# Pull handles oval detachable



mounting instructions:



**Material:**

Pull handle, oval aluminium EN AW-6060.  
Locating pin steel.  
Blanking disc steel.

**Version:**

Pull handle black powder-coated.  
Locating pin and blanking disc black oxidised.

**Sample order:**

K0204.10012001

**Note:**

The pull handles are mounted on an object by a push-fit system.  
Dismantling is carried out when no load is applied.

**Application:**

Insert the pull handle into the opening until the grip makes contact with the blanking disc.  
Lock by holding the handle parallel and pulling up.  
The grip can only be subject to vertical loads.  
To release, follow the previous instructions in reverse.

**Assembly:**

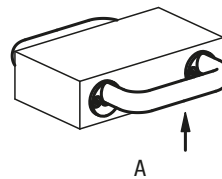
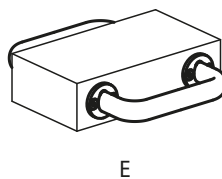
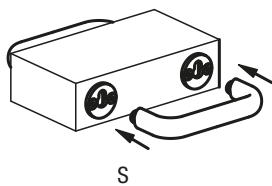
An object must be prepared before the blanking disc can be mounted.  
See mounting instructions drawing.

**Drawing reference:**

- 1) Position disengaged
- 2) Position engaged

S = insert  
E = engage  
A = lift

## Pull handles oval detachable



### KIPP Pull handles oval detachable

Order No.	A	A1	A2	B	B1	B2	D	D1	H	H1	L	Load capacity N
K0204.10012001	100	24	7	35	13	21	M5x16	12	58	8	135	1000
K0204.11212001	112	24	7	35	13	21	M5x16	12	58	8	147	1000
K0204.11214001	112	26	8	40	15	25	M5x16	14	63	8	152	1000
K0204.12012001	120	24	7	35	13	21	M5x16	12	58	8	155	1000
K0204.12014001	120	26	8	40	17	25	M5x16	14	63	8	160	1000
K0204.12812001	128	24	7	35	13	21	M5x16	12	58	8	163	1000
K0204.12814001	128	26	8	40	17	25	M5x16	14	63	8	168	1000
K0204.16012001	160	24	7	35	13	21	M5x16	12	58	8	195	1000
K0204.16014001	160	26	8	40	17	25	M5x16	14	63	8	200	1000
K0204.18014001	180	26	8	40	17	25	M5x16	14	63	8	220	1000
K0204.19214001	192	26	8	40	17	25	M5x16	14	63	8	232	1000
K0204.35014001	350	26	8	40	17	25	M5x16	14	63	8	390	1000

## Pull handles

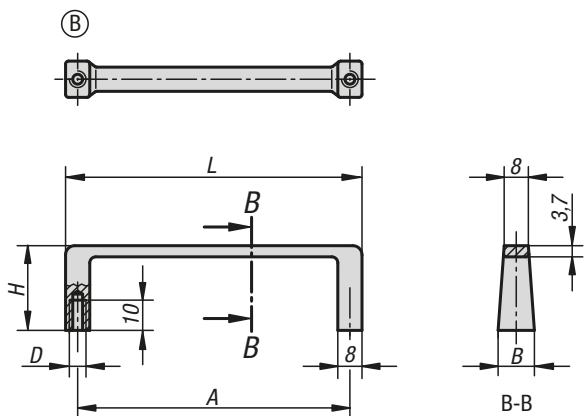
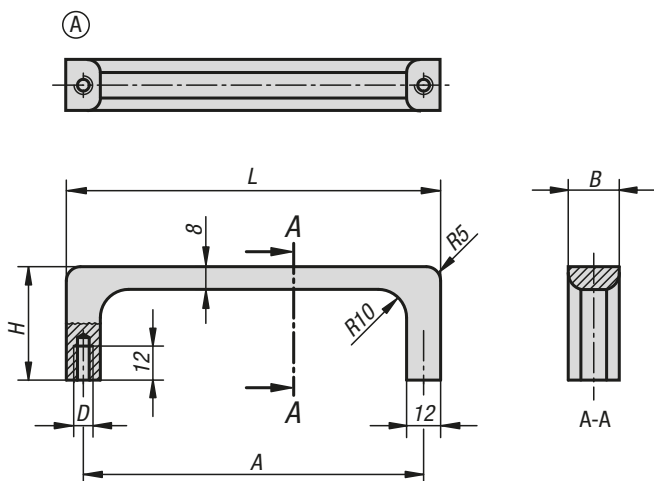


**Material:**  
Profile aluminium EN AW-6060

**Version:**  
Matt-finished, anodised black or natural tone.

**Sample order:**  
K0213.12001

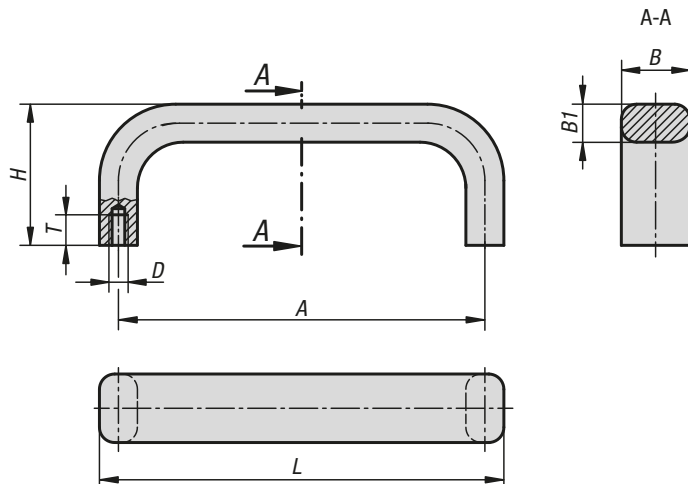
**Assembly:**  
From the rear.



### KIPP Pull handles

Order No.	Form	Main colour	A	B	D	H	L	Load capacity N
K0213.12001	A	black	120	18	M6	40	132	500
K0213.09001	B	black	90	12	M5	28	98	300
K0213.12003	A	natural	120	18	M6	40	132	500
K0213.09003	B	natural	90	12	M5	28	98	300

## Pull handles



**Material:**  
Aluminium.

**Version:**  
Matt-finished, anodised black or natural tone.

**Sample order:**  
K1091.088053

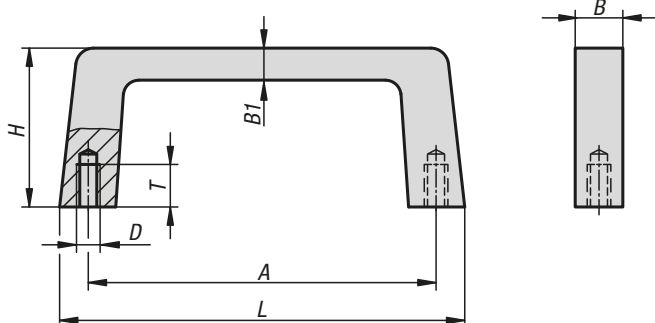
**Note for ordering:**  
Fastening screws included.

**Assembly:**  
From the rear.

### KIPP Pull handles

Order No. natural anodized	Order No. black anodised	A	B	B1	D	H	L	T	Load capacity N
K1091.055053	K1091.055051	55	12	8	M5	29	63	10	750
K1091.088053	K1091.088051	88	12	8	M5	29	96	10	750
K1091.100053	K1091.100051	100	12	8	M5	39	108	10	750
K1091.120053	K1091.120051	120	15	10	M5	39	130	10	750
K1091.180053	K1091.180051	180	15	10	M5	39	190	10	750
K1091.235053	K1091.235051	235	15	10	M5	39	245	10	750

## Pull handles



**Material:**

Aluminium.

**Version:**

Matt-finished, anodised black or natural tone.

**Sample order:**

K1075.088053

**Note for ordering:**

Fastening screws included.

**Assembly:**

From the rear.

### KIPP Pull handles

Order No. natural	Order No. black	A	B	B1	D	H	T	Load capacity N
K1075.055053	K1075.055051	55	12,2	8	M5	40	10	750
K1075.088053	K1075.088051	88	12,2	8	M5	40	10	750
K1075.120053	K1075.120051	120	12,2	8	M5	40	10	750
K1075.180053	K1075.180051	180	12,2	8	M5	40	10	750
K1075.235053	-	235	12,2	8	M5	40	10	750



## Pull handles angled

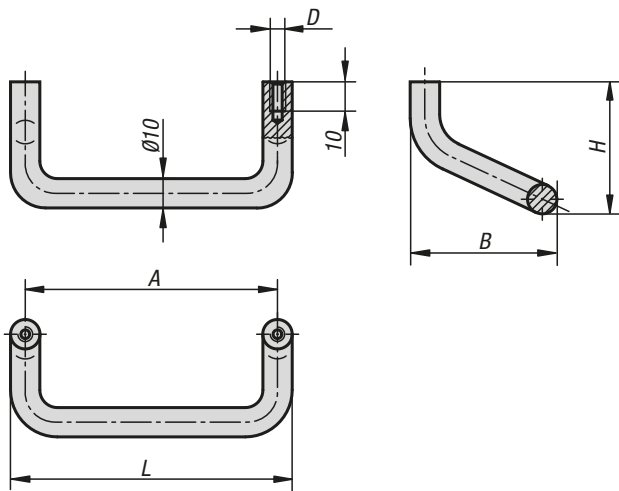


**Material:**  
Aluminium.

**Version:**  
Matt-finished, anodised black or natural tone.

**Sample order:**  
K0219.12001

**Assembly:**  
From the rear.



### KIPP Pull handles angled

Order No. black	Order No. natural	A	B	D	H	L	Load capacity N
K0219.08601	K0219.08603	86	40	M5	45	96	500
K0219.12001	K0219.12003	120	40	M5	45	130	500
K0219.18001	K0219.18003	180	40	M5	45	190	500

## Pull handles angled



**Material:**  
Round aluminium EN AW-6060

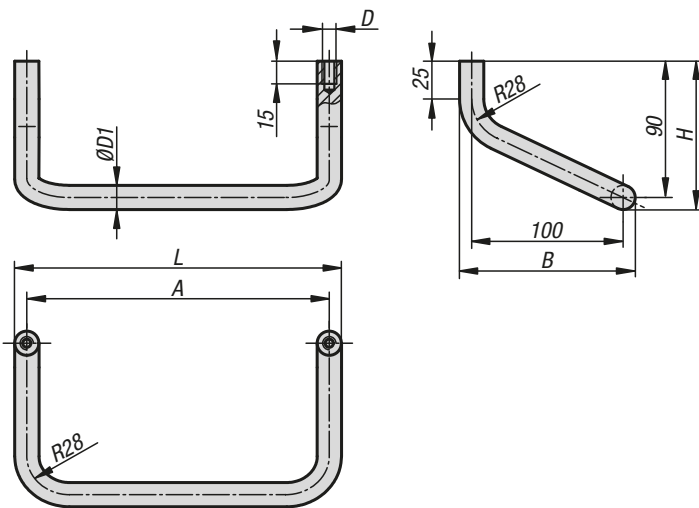
**Version:**  
Ground, glass blasted and matt-gloss black anodised.

**Sample order:**  
K0229.20016

**Note:**  
End washers not included.

**Assembly:**  
From the rear.

**On request:**  
Any handle length.



### KIPP Pull handles angled

Order No.	A	B	D	D1	H	L	Load capacity N	Order No. end washer
K0229.20016	200	116	M8	16	98	216	1000	K0229.16
K0229.25016	250	116	M8	16	98	266	1000	K0229.16
K0229.30016	300	116	M8	16	98	316	1000	K0229.16
K0229.40016	400	116	M8	16	98	416	1000	K0229.16
K0229.50018	500	118	M8	18	99	518	1000	K0229.18

## Pull handles

19"



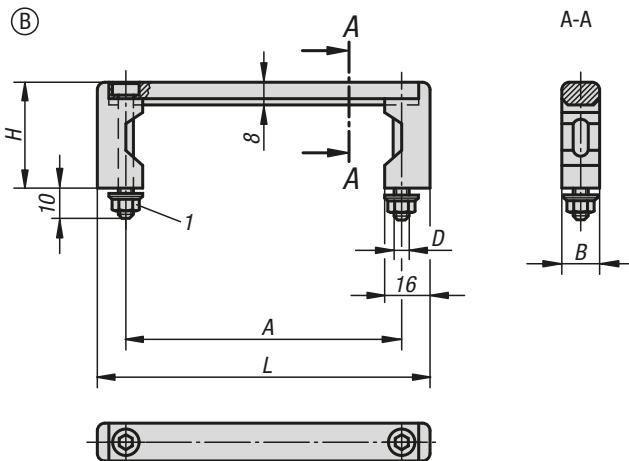
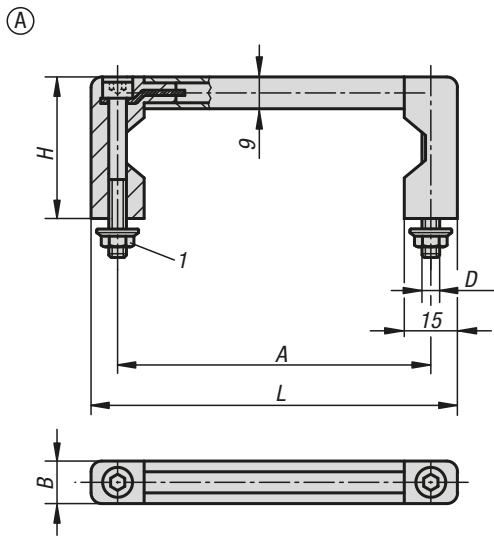
**Material:**  
Grip aluminium.  
Legs glass-bead reinforced polyamide.

**Version:**  
Grip matt-finished and natural tone or black anodised.  
Legs fine structure semi-matt, black.

**Sample order:**  
K0216.10001

**Assembly:**  
From the front.

**Drawing reference:**  
1) Toothed locknut

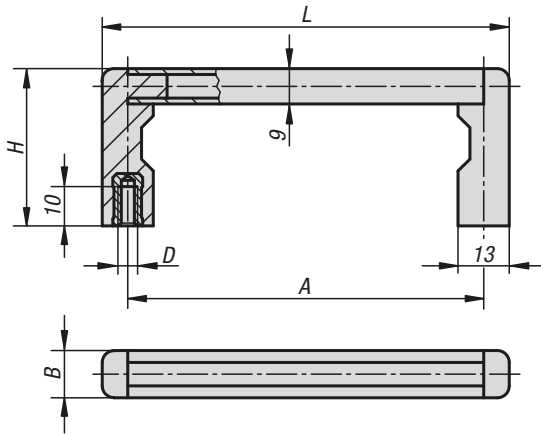


### KIPP Pull handles

Order No. black	Order No. natural	Form	A	B	D	H	L	Load capacity N
K0216.05501	K0216.05503	A	55	12	M5	40	70	1000
K0216.08801	K0216.08803	A	88	12	M5	40	103	1000
K0216.10001	K0216.10003	A	100	12	M5	40	115	1000
K0216.12001	K0216.12003	A	120	12	M5	40	135	1000
K0216.18001	K0216.18003	A	180	12	M5	40	195	1000
K0216.23501	K0216.23503	A	235	12	M5	40	250	1000
K0216.055101	K0216.055103	B	55	12	M5	40	75	1000
K0216.088101	K0216.088103	B	88	12	M5	40	108	1000
K0216.100101	K0216.100103	B	100	12	M5	40	120	1000
K0216.120101	K0216.120103	B	120	12	M5	40	140	1000
K0216.180101	K0216.180103	B	180	12	M5	40	200	1000
K0216.235101	K0216.235103	B	235	12	M5	40	255	1000

## Pull handles

19"



**Material:**  
Grip aluminium.  
Legs high-strength plastic

**Version:**  
Grip natural tone or black anodised.

**Sample order:**  
K0217.05501

**Assembly:**  
From the rear.

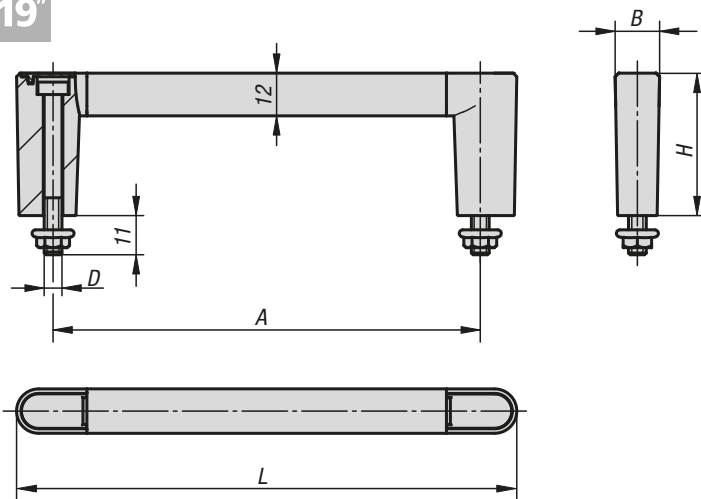
### KIPP Pull handles

Order No. black	Order No. natural	A	B	D	H	L	Load capacity N
K0217.05501	K0217.05503	55	12	M5	40	69	1000
K0217.08801	K0217.08803	88	12	M5	40	102	1000
K0217.10001	K0217.10003	100	12	M5	40	114	1000
K0217.12001	K0217.12003	120	12	M5	40	134	1000
K0217.18001	K0217.18003	180	12	M5	40	194	1000
K0217.23501	K0217.23503	235	12	M5	40	249	1000

# K1127

## Pull handles

19"



**Material:**  
Grip aluminium.  
Legs and cap PA 6.  
Screw and flange nut steel.

**Version:**  
Grip natural colour or black anodised.  
Screw and flange nut electro zinc-plated.

**Sample order:**  
K1127.120203

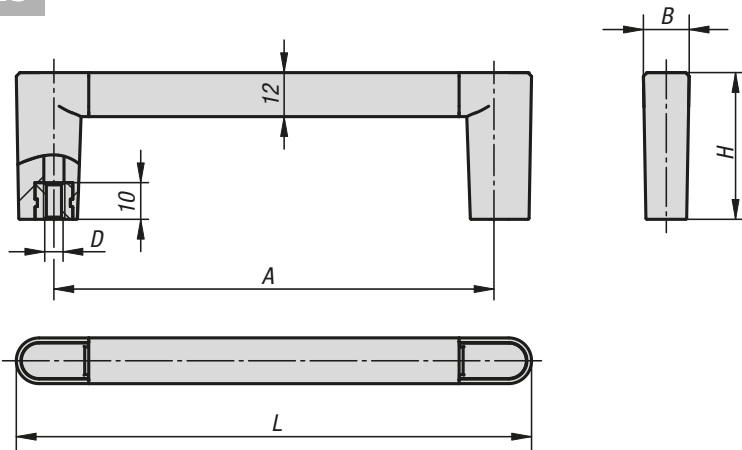
**Note:**  
- 19"  
- Closed design  
- Simple assembly  
- The cap is tapped on using a plastic hammer

### KIPP Pull handles

Order No. black	Order No. natural	A	B	D	H	L	Load capacity N
K1127.055201	K1127.055203	55	12,5	M5	40	75,5	1000
K1127.088201	K1127.088203	88	12,5	M5	40	108,5	1000
K1127.100201	K1127.100203	100	12,5	M5	40	120,5	1000
K1127.120201	K1127.120203	120	12,5	M5	40	140,5	1000
K1127.180201	K1127.180203	180	12,5	M5	40	200,5	1000
K1127.235201	K1127.235203	235	12,5	M5	40	255,5	1000

## Pull handles

19"



**Material:**  
Grip aluminium.  
Legs and cap PA 6.  
Tapped bush steel.

**Version:**  
Grip natural colour or black anodised.  
Tapped bush electro zinc-plated.

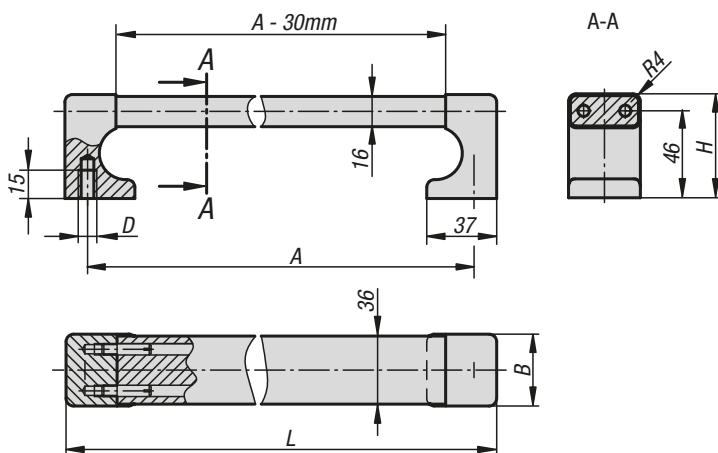
**Sample order:**  
K1128.120101

**Note:**  
- 19"  
- Closed design  
- Simple assembly  
- The cap is tapped on using a plastic hammer

### KIPP Pull handles

Order No. black	Order No. natural	A	B	D	H	L	Load capacity N
K1128.055101	K1128.055103	55	12,5	M5	40	75,5	1000
K1128.088101	K1128.088103	88	12,5	M5	40	108,5	1000
K1128.100101	K1128.100103	100	12,5	M5	40	120,5	1000
K1128.120101	K1128.120103	120	12,5	M5	40	140,5	1000
K1128.180101	K1128.180103	180	12,5	M5	40	200,5	1000
K1128.235101	K1128.235103	235	12,5	M5	40	255,5	1000

## Pull handles



**Material:**  
Legs and grip aluminium EN AW-6060.  
Connecting pins stainless steel.

**Version:**  
Legs and grip finely ground, anodised black or natural tone.

**Sample order:**  
K0228.250081

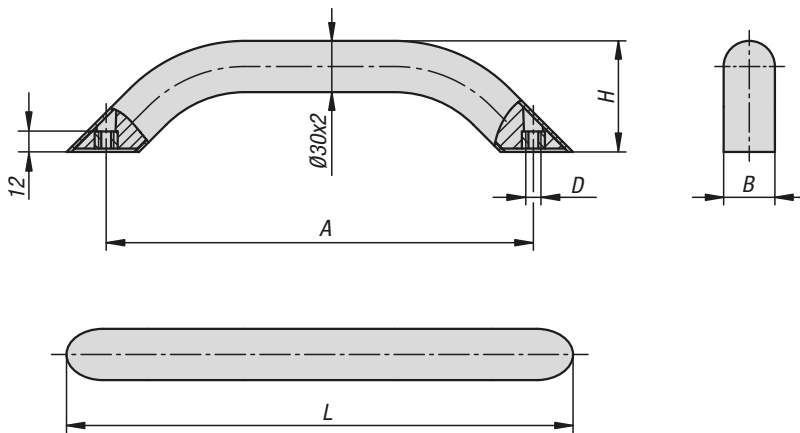
**Note:**  
The solid construction permits this handle series to also be used as edge protectors.

**Assembly:**  
From the rear.

### KIPP Pull handles

Order No. black anodised	Order No. natural anodised	A	B	D	H	L	Load capacity N
K0228.250081	K0228.250083	250	38	M8	55	274	1000
K0228.300081	K0228.300083	300	38	M8	55	324	1000
K0228.400081	K0228.400083	400	38	M8	55	424	1000
K0228.500081	K0228.500083	500	38	M8	55	524	1000
K0228.600081	K0228.600083	600	38	M8	55	624	1000

## Tubular handles round, aluminium



These tubular handles impresses with a combination of solid appearance, high stability and extreme lightness. The patented fastening system enables the handles to be installed from the rear with no screws visible from the front. With its easy-to-clean and abrasion-resistant surface, the handle also blends in perfectly with its surroundings.

**Material:**

Round tube aluminium EN AW-6060.  
steel tapped bush.

**Version:**

Anodised natural tone or powder-coated black, ruby red RAL 3003 or traffic red RAL 3020.

**Sample order:**

K0795.300083

**Note:**

Mounting fasteners are not supplied. Cap screws with LONG-LOK thread lock are recommended for secure and long-term stability.

**Assembly:**

The tubular handle can be mounted from the rear. DIN socket head screws or hexagon head bolts with thread size M8 are provided for this purpose.

**Advantages:**

Solid appearance combined with low weight

Timeless elegant design.

Ergonomic handle shape.

Patented fastening system for rear mounting.

**Accessories:**

K0869 socket head screws, DIN 912 / DIN EN ISO 4762

LONG-LOK thread lock

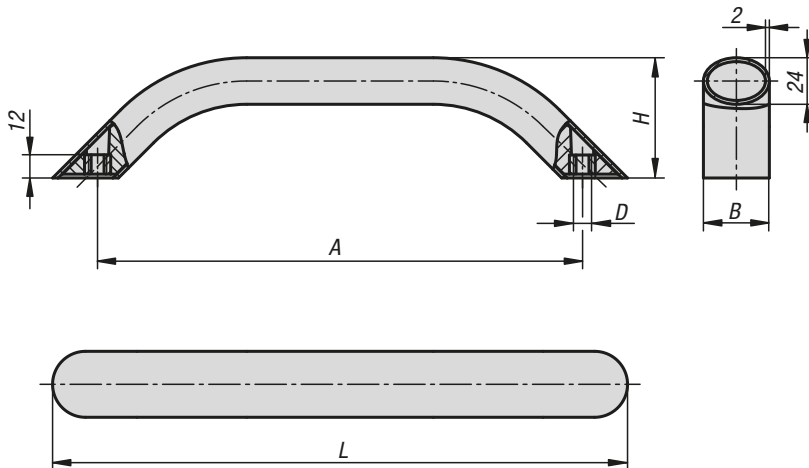
K0869 socket head screws, DIN 912 / DIN EN ISO 4762

K0871 hexagon head bolts DIN 933 / DIN EN ISO 4017

## KIPP Tubular handles round, aluminium

Order No. natural anodised	Order No. black powder-coated	Order No. ruby red RAL3003 powder-coated	Order No. traffic red RAL 3020 powder-coated	A	B	D	H	L	Load capacity N
K0795.250083	K0795.250081	K0795.2500827	K0795.2500884	250	30	M8	65	296,4	1000
K0795.300083	K0795.300081	K0795.3000827	K0795.3000884	300	30	M8	65	346,4	1000
K0795.400083	K0795.400081	K0795.4000827	K0795.4000884	400	30	M8	65	446,4	1000
K0795.500083	K0795.500081	K0795.5000827	K0795.5000884	500	30	M8	65	546,4	1000

## Tubular handles oval, aluminium



These tubular handles impresses with a combination of solid appearance, high stability and extreme lightness. The patented fastening system enables the handles to be installed from the rear with no screws visible from the front. With its easy-to-clean and abrasion-resistant surface, the handle also blends in perfectly with its surroundings.

**Material:**

Tube oval aluminium EN AW-6060.  
Tapped bush steel.

**Version:**

Anodised natural tone or powder-coated black, ruby red RAL 3003 or traffic red RAL 3020.

**Sample order:**

K0796.400083

**Note:**

Mounting fasteners are not supplied. Cap screws with LONG-LOK thread lock are recommended for secure and long-term stability.

**Assembly:**

The tubular handle can be mounted from the rear. DIN socket head screws or hexagon head bolts with thread size M8 are provided for this purpose.

**Advantages:**

Solid appearance combined with low weight

Timeless elegant design.

Ergonomic handle shape.

Patented fastening system for rear mounting.

**Accessories:**

K0869 socket head screws, DIN 912 / DIN EN ISO 4762  
LONG-LOK thread lock

K0869 socket head screws, DIN 912 / DIN EN ISO 4762

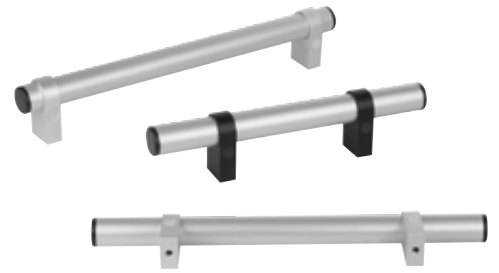
K0871 hexagon head bolts DIN 933 / DIN EN ISO 4017

## KIPP Tubular handles oval, aluminium

Order No. natural anodised	Order No. black powder-coated	Order No. ruby red RAL3003 powder-coated	Order No. traffic red RAL 3020 powder-coated	A	B	D	H	L	Load capacity N
K0796.250083	K0796.250081	K0796.2500827	K0796.2500884	250	34	M8	62	296,4	1000
K0796.300083	K0796.300081	K0796.3000827	K0796.3000884	300	34	M8	62	346,4	1000
K0796.400083	K0796.400081	K0796.4000827	K0796.4000884	400	34	M8	62	446,4	1000
K0796.500083	K0796.500081	K0796.5000827	K0796.5000884	500	34	M8	62	546,4	1000

## Tubular handles

adjustable

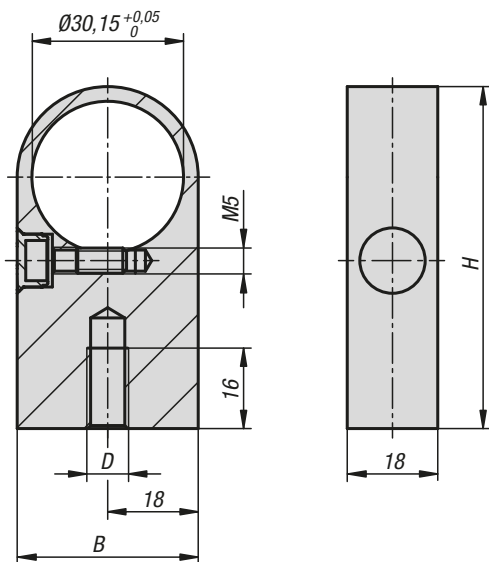
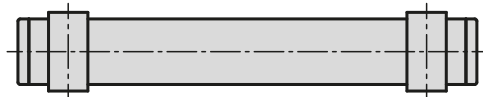
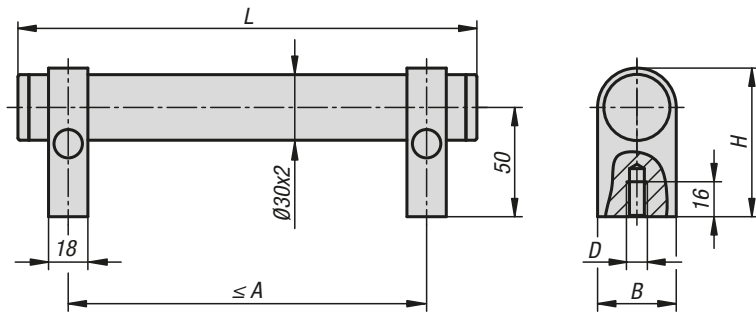


**Material:**  
 Grip tube EN AW-6060.  
 Mounting bracket EN AW-6063.  
 End caps thermoplastic.  
 Grub screw ISO 4766-14H.

**Version:**  
 Grip tube anodised natural tone.  
 Mounting brackets anodised natural tone or black.  
 Grip end piece, black.  
 Bracket end cap light grey or black.

**Sample order:**  
 K1018.2503011

**Note:**  
 The adjustable tubular handles are supplied unassembled.  
 The centre distance for the tubular handles can be freely determined.  
 The recommended maximum centre distance can be found in the table under A max.  
 Additional mounting brackets can be included for long handle lengths or high loads.  
 The mounting brackets are supplied unassembled.



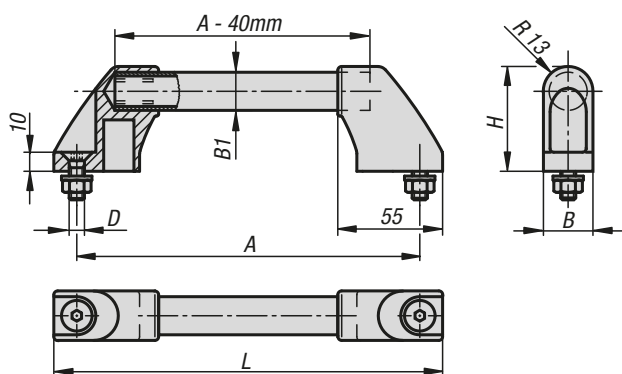
### KIPP Tubular handles adjustable

Order No.	Main colour	Component colour	A max.	B	D	H	L	Load capacity N
K1018.2503011	natural anodised	natural anodised	220	36	M8	68	250	1000
K1018.3003011	natural anodised	natural anodised	270	36	M8	68	300	1000
K1018.4003011	natural anodised	natural anodised	370	36	M8	68	400	1000
K1018.5003011	natural anodised	natural anodised	470	36	M8	68	500	1000
K1018.6003011	natural anodised	natural anodised	570	36	M8	68	600	1000
K1018.2503012	natural anodised	black anodised	220	36	M8	68	250	1000
K1018.3003012	natural anodised	black anodised	270	36	M8	68	300	1000
K1018.4003012	natural anodised	black anodised	370	36	M8	68	400	1000
K1018.5003012	natural anodised	black anodised	470	36	M8	68	500	1000
K1018.6003012	natural anodised	black anodised	570	36	M8	68	600	1000

### KIPP Mounting brackets

Order No.	Main colour	B	D	H
K1018.08301	natural anodised	36	M8	68
K1018.08302	black anodised	36	M8	68

## Tubular handles



### Material:

Legs black glass-bead reinforced thermoplastic.  
Grip tube aluminium.

### Version:

Grip, ground and natural colour anodised  
Grip with serrated plastic sheath, black

### Sample order:

K0210.200

### Note:

The legs have 4 webs in the hole for the grip tube.  
When pushing the tube in, these are trimmed off and  
produce a precise seating.  
Black electro zinc-plated fastening screws, suitable  
washers and nuts are supplied.

### Assembly:

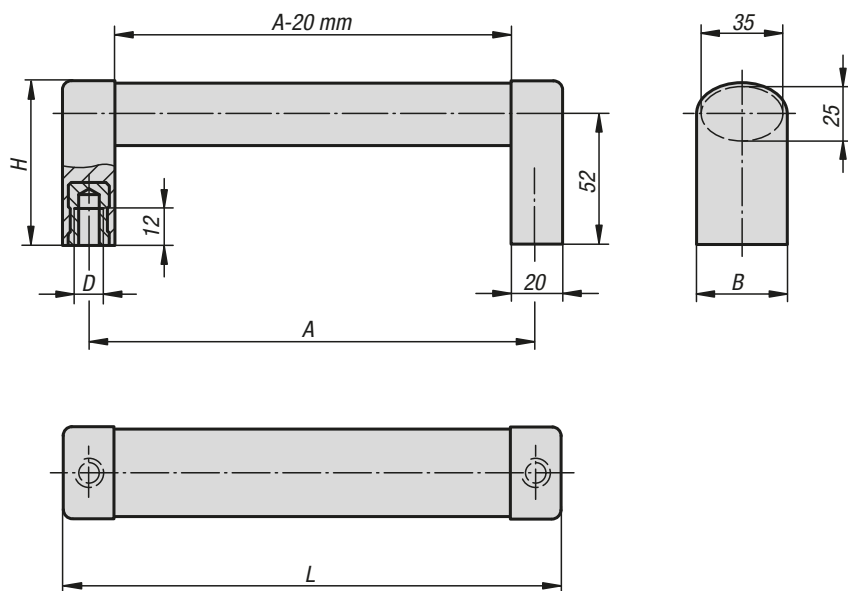
From the front.

## KIPP Pull handles tubular

Order No. ground and anodised	Order No. serrated plastic sleeve	A	B	B1	D	H	L	Load capacity N
K0210.180	K0210.1803	180	26	20X2	M8x20	55	204	500
K0210.200	K0210.2003	200	26	20X2	M8x20	55	224	500
K0210.250	K0210.2503	250	26	20X2	M8x20	55	274	500
K0210.300	K0210.3003	300	26	20X2	M8x20	55	324	500
K0210.350	K0210.3503	350	26	20X2	M8x20	55	374	500
K0210.400	K0210.4003	400	26	20X2	M8x20	55	424	500
K0210.500	K0210.5003	500	26	20X2	M8x20	55	524	500
K0210.600	K0210.6003	600	26	20X2	M8x20	55	624	500



## Tubular handles



**Material:**

Grip aluminium EN AW-6060.  
 Legs polyamide glass-bead reinforced.  
 Bushing brass.  
 Clamping sleeves stainless steel.

**Version:**

Grip natural colour or black anodised.  
 Legs aluminium colour or black.

**Sample order:**

K0211.1200081

**Note:**

Oval-profile handles for joining together. Version with plastic legs and aluminium oval grip.

**Assembly:**

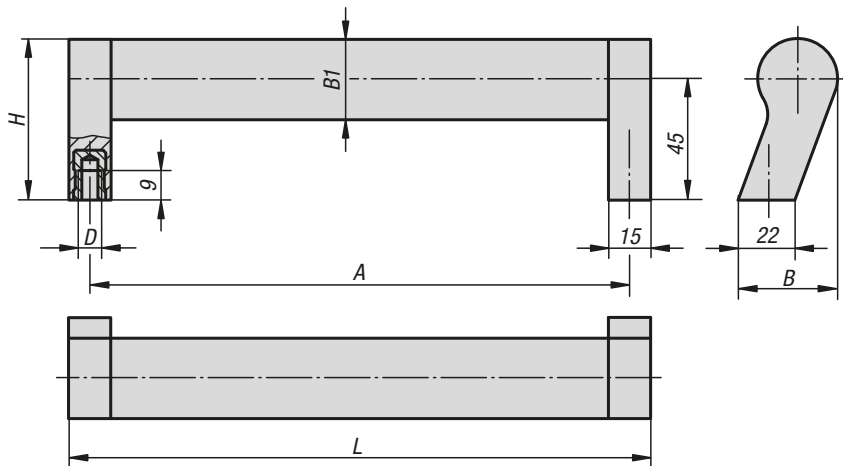
From the rear.

### KIPP Tubular handles

Order No.	Main colour	Component colour	A	B	D	H	L	Load capacity N
K0211.1200081	natural	aluminium tone	200	36	M8	65	220	1000
K0211.1250081	natural	aluminium tone	250	36	M8	65	270	1000
K0211.1300081	natural	aluminium tone	300	36	M8	65	320	1000
K0211.1400081	natural	aluminium tone	400	36	M8	65	420	1000
K0211.1500081	natural	aluminium tone	500	36	M8	65	520	1000
K0211.1200082	natural	black	200	36	M8	65	220	1000
K0211.1250082	natural	black	250	36	M8	65	270	1000
K0211.1300082	natural	black	300	36	M8	65	320	1000
K0211.1400082	natural	black	400	36	M8	65	420	1000
K0211.1500082	natural	black	500	36	M8	65	520	1000
K0211.1200083	black	black	200	36	M8	65	220	1000
K0211.1250083	black	black	250	36	M8	65	270	1000
K0211.1300083	black	black	300	36	M8	65	320	1000
K0211.1400083	black	black	400	36	M8	65	420	1000
K0211.1500083	black	black	500	36	M8	65	520	1000

## Tubular handles

oblique



**Material:**

Grip tube aluminium EN AW-6060;  
Legs polyamide, glass-bead reinforced;  
Bushing brass

**Version:**

Tube matt-polished anodised.  
Legs black

**Sample order:**

K0212.2150061

**Note:**

Oblique tubular pull handles in modern industrial design. Webs on the leg spigot provide a precision fit for the tube.

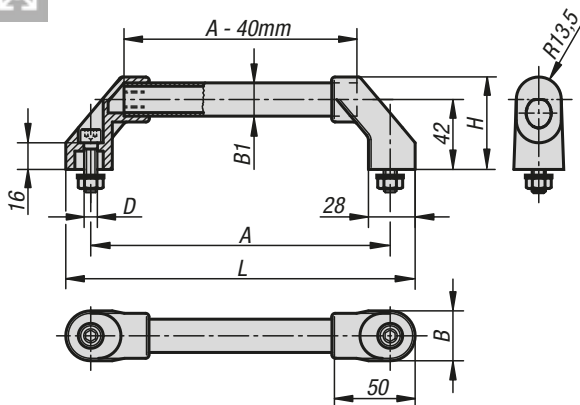
**Assembly:**

From the rear.

**KIPP Tubular handles, oblique**

Order No.	A	B	B1	D	H	L	Load capacity N
K0212.2150061	150	37	30X1,5	M6	60	165	800
K0212.2200061	200	37	30X1,5	M6	60	215	800
K0212.2250061	250	37	30X1,5	M6	60	265	800
K0212.2300061	300	37	30X1,5	M6	60	315	800
K0212.2350061	350	37	30X1,5	M6	60	365	800
K0212.2400061	400	37	30X1,5	M6	60	415	800

## Tubular handles



**Material:**

Legs black glass-bead reinforced thermoplastic.  
Grip aluminium EN AW-6060.

**Version:**

Grip, ground and natural colour anodised  
Grip with serrated plastic sheath, black

**Sample order:**

K0221.3001

**Note:**

The legs have 4 webs in the hole for the grip tube. When pushing the tube in these are trimmed off and produce a precise seating. Black electro zinc-plated fastening screws, suitable washers and nuts are supplied.

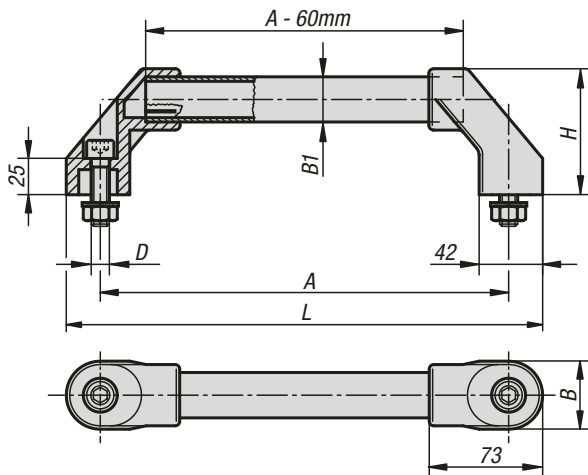
**Assembly:**

From the front.

**KIPP Tubular handles**

Order No. ground and anodised	Order No. serrated plastic sleeve	A	B	B1	D	H	L	Load capacity N
K0221.1801	K0221.1802	180	30	20X2	M8X30	55,5	210	1000
K0221.2001	K0221.2002	200	30	20X2	M8X30	55,5	230	1000
K0221.2501	K0221.2502	250	30	20X2	M8X30	55,5	280	1000
K0221.3001	K0221.3002	300	30	20X2	M8X30	55,5	330	1000
K0221.3501	K0221.3502	350	30	20X2	M8X30	55,5	380	1000
K0221.4001	K0221.4002	400	30	20X2	M8X30	55,5	430	1000
K0221.5001	K0221.5002	500	30	20X2	M8X30	55,5	530	1000
K0221.6001	K0221.6002	600	30	20X2	M8X30	55,5	630	1000

## Tubular handles



### Material:

Legs black glass-bead reinforced thermoplastic.  
Grip aluminium EN AW-6060 or stainless steel 1.4301.

### Version:

Connecting tube aluminium, ground and natural tone anodised or with serrated plastic cover.  
Connecting tube stainless steel, fine ground.

### Sample order:

K0222.3501

### Note:

The legs have 4 webs in the hole for the grip tube.  
When pushing the tube in these are trimmed off and produce a precise seating.  
Black electro zinc-plated fastening screws together with washers and nuts are supplied.

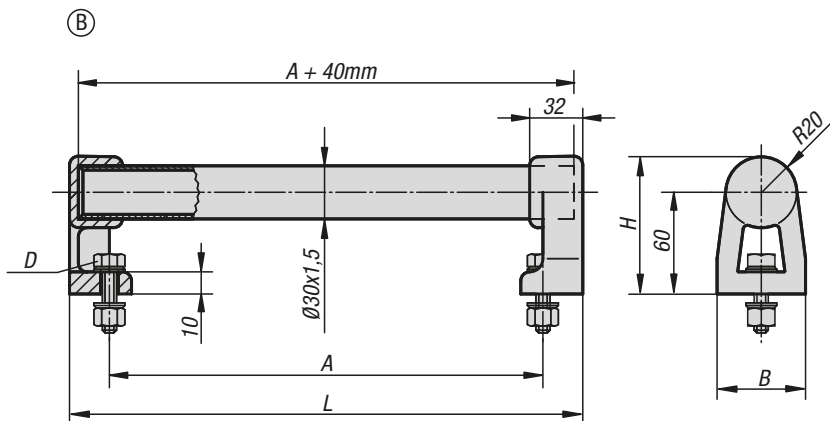
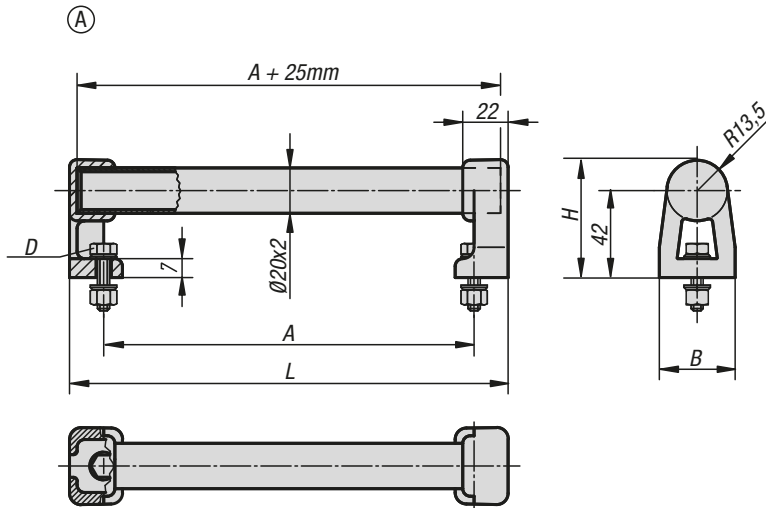
### Assembly:

From the front.

## KIPP Tubular handles

Order No. aluminium ground and anodised	Order No. aluminium serrated plastic sleeve	Order No. stainless steel	A	B	B1	D	H	L	Load capacity N
K0222.2501	K0222.2502	K0222.2503	250	44	30X1,5	M10x45	80	294	1000
K0222.3001	K0222.3002	K0222.3003	300	44	30X1,5	M10x45	80	344	1000
K0222.3501	K0222.3502	K0222.3503	350	44	30X1,5	M10x45	80	394	1000
K0222.4001	K0222.4002	K0222.4003	400	44	30X1,5	M10x45	80	444	1000
K0222.5001	K0222.5002	K0222.5003	500	44	30X1,5	M10x45	80	544	1000
K0222.6001	K0222.6002	K0222.6003	600	44	30X1,5	M10x45	80	644	1000

## Tubular handles



**Material:**

Grip aluminium EN AW-6060.  
Legs glass-bead reinforced polyamide.

**Version:**

Grip natural colour anodised or with black serrated plastic cover.

**Sample order:**

K0223.150203

**Note:**

The legs have 2 or 4 PVC profile pins in the hole for the grip tube. When pushing the tube in these are trimmed off and produce a precise seating. Black electro zinc-plated fastening screws, suitable washers and nuts are supplied.

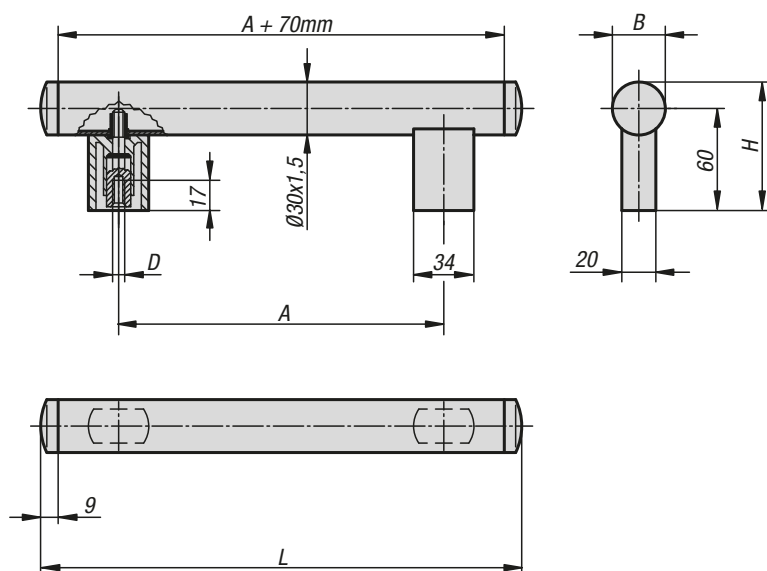
**Assembly:**

From the front.

### KIPP Tubular handles

Order No. natural	Order No. black	Form	A	B	D	H	L	Load capacity N
K0223.150203	K0223.150202	A	150	32	M5x20	55,5	184	1000
K0223.200203	K0223.200202	A	200	32	M5x20	55,5	234	1000
K0223.300203	K0223.300202	A	300	32	M5x20	55,5	334	1000
K0223.400203	K0223.400202	A	400	32	M5x20	55,5	434	1000
K0223.500203	K0223.500202	A	500	32	M5x20	55,5	534	1000
K0223.150303	K0223.150302	B	150	48	M8x25	80	200	1000
K0223.200303	K0223.200302	B	200	48	M8x25	80	250	1000
K0223.300303	K0223.300302	B	300	48	M8x25	80	350	1000
K0223.400303	K0223.400302	B	400	48	M8x25	80	450	1000
K0223.500303	K0223.500302	B	500	48	M8x25	80	550	1000

## Tubular handles



**Material:**

Legs and tube cap glass-bead reinforced polyamide.  
Grip aluminium EN AW-6060.

**Version:**

Grip finely ground and anodised black or natural tone.  
Legs and tube cap semi-matt with fine texture, black.

**Sample order:**

K0224.200061

**Note:**

The legs and tube are fastened together with pull-out resistant rivet nuts.

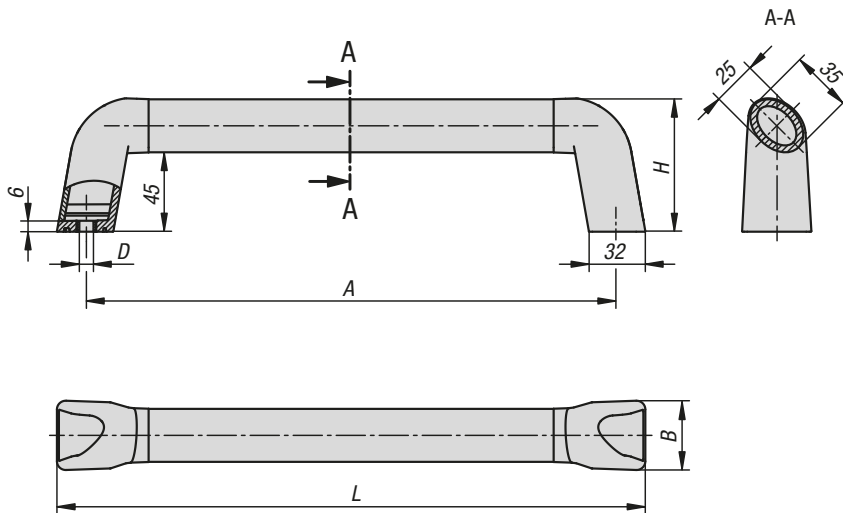
**Assembly:**

From the rear.

### KIPP Tubular handles

Order No.	Main colour	A	B	D	H	L	Load capacity N
K0224.200061	black anodised	200	30	M6	75	288	800
K0224.250061	black anodised	250	30	M6	75	338	800
K0224.300061	black anodised	300	30	M6	75	388	800
K0224.400061	black anodised	400	30	M6	75	488	800
K0224.500061	black anodised	500	30	M6	75	588	800
K0224.200063	natural anodised	200	30	M6	75	288	800
K0224.250063	natural anodised	250	30	M6	75	338	800
K0224.300063	natural anodised	300	30	M6	75	388	800
K0224.400063	natural anodised	400	30	M6	75	488	800
K0224.500063	natural anodised	500	30	M6	75	588	800

## Tubular handles "Bighand"



The newly designed Bighand tubular handle with its ergonomic oval shape and selected tube size provides a secure and comfortable grip. Its timeless elegant design makes it attractive and the variable colour scheme means it can be optimally adapted to its surroundings.

**Material:**

Oval tube aluminium.  
End piece thermoplastic polyamide.  
End cap thermoplastic polyamide.  
Adapter bush stainless steel.

**Version:**

Oval tube black grey powder-coated (glossy), black anodised (matt) or natural tone anodised (matt).  
End piece black grey RAL 7021.  
End cap black grey RAL7021, pure orange RAL 2004, rape yellow RAL 1021, traffic red RAL 3020, signal green RAL 6032 or traffic blue RAL 5017.

**Sample order:**

K1445.18084 (cap colour traffic red.)

**Note for ordering:**

Δ Enter the required colour code here.

**Note:**

Fastening materials are not supplied.  
Cap screws with thread lock are recommended for a secure and permanent hold.

**Temperature range:**

Permanent temperature max. 100 °C.  
Short time use up to 180 °C.

**Assembly:**

The end pieces are designed so that the tubular handle can be fastened either from the front or rear. DIN M8 cap screws or hex head screws are provided for this purpose. After mounting, the end caps can be pressed in by hand. Slots are provided on both sides of the end caps so that they can be removed with a screwdriver without damaging them.

**On request:**

Special lengths "A".

## Tubular handles "Bighand"



### Accessories:

K0869 Socket head screws DIN 912 / DIN EN ISO 4762  
with thread lock

K0869 Socket head screw DIN 912 / DIN EN ISO 4762

K0871 Hex head screws DIN 933 / DIN EN ISO 4017

K1145 Hex nuts 934 / DIN EN ISO 4032 / DIN EN 24032

K0868 Washers DIN 125 / DIN EN ISO 7089 Form A

colour codes:



black Grey  
 $\Delta = 1$   
RAL 7021



Pure orange  
 $\Delta = 2$   
RAL 2004



colza yellow  
 $\Delta = 16$   
RAL 1021



traffic red  
 $\Delta = 84$   
RAL 3020



signal green  
 $\Delta = 86$   
RAL 6032



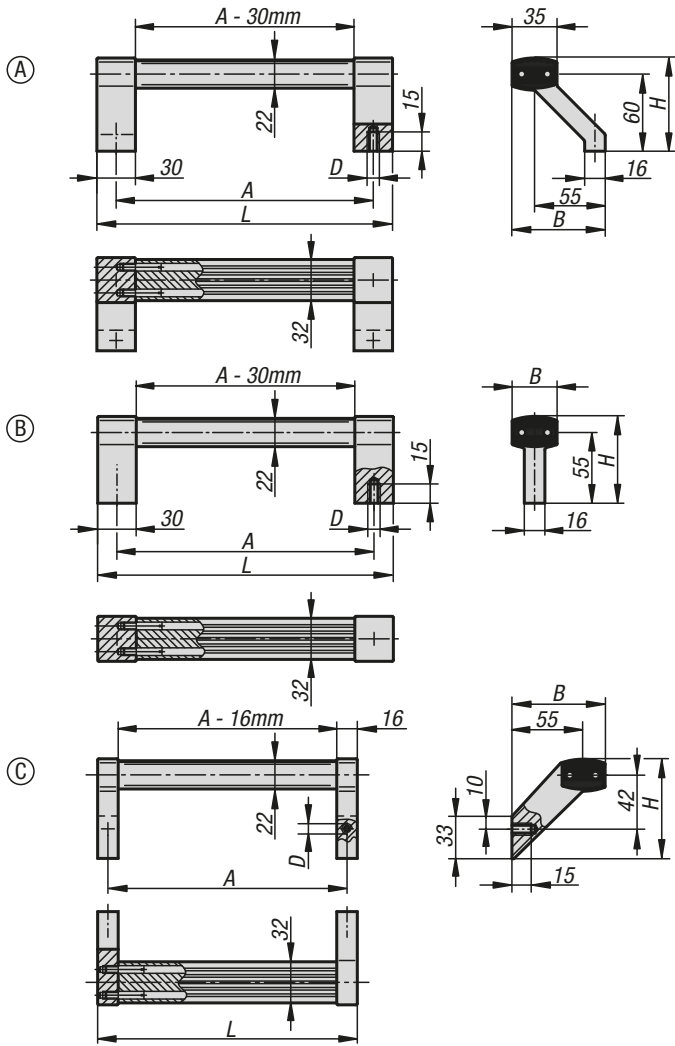
traffic blue  
 $\Delta = 87$   
RAL 5017



### KIPP Tubular handles "Bighand"

Order No. black grey	Order No. black	Order No. natural	A	B	D	H	L	Load capacity N
K1445.180Δ	K1445.18001Δ	K1445.18003Δ	180	39,2	8	75,5	213,4	1000
K1445.200Δ	K1445.20001Δ	K1445.20003Δ	200	39,2	8	75,5	233,4	1000
K1445.250Δ	K1445.25001Δ	K1445.25003Δ	250	39,2	8	75,5	283,4	1000
K1445.300Δ	K1445.30001Δ	K1445.30003Δ	300	39,2	8	75,5	333,4	1000
K1445.350Δ	K1445.35001Δ	K1445.35003Δ	350	39,2	8	75,5	383,4	1000
K1445.400Δ	K1445.40001Δ	K1445.40003Δ	400	39,2	8	75,5	433,4	1000
K1445.500Δ	K1445.50001Δ	K1445.50003Δ	500	39,2	8	75,5	533,4	1000
K1445.600Δ	K1445.60001Δ	K1445.60003Δ	600	39,2	8	75,5	633,4	1000

## Tubular handles



**Material:**

Legs and grip aluminium profile EN AW-6060.  
Connecting pins stainless steel.

**Version:**

Legs glass-bead blasted and semi-matt black anodised.  
Grip brushed and natural colour anodised, black anodised or titanium colour powder-coated.

**Sample order:**

K0131.2000811

**Note:**

These tubular handles are characterised by robust construction and high load rating.  
M8x16 hexagon head DIN 933 electro zinc-plated screws and DIN EN ISO 7089 electro zinc-plated washers are included.

**Assembly:**

From the rear.

### KIPP Tubular handles, Form A

Order No. grip black anodized	Order No. grip titanium coloured powder-coated	Order No. grip natural colour anodized	A	B	D	H	L	Load capacity N
K0131.2000811	K0131.2000812	K0131.2000813	200	72,5	M8	72,5	230	1000
K0131.3000811	K0131.3000812	K0131.3000813	300	72,5	M8	72,5	330	1000
K0131.4000811	K0131.4000812	K0131.4000813	400	72,5	M8	72,5	430	1000
K0131.5000811	K0131.5000812	K0131.5000813	500	72,5	M8	72,5	530	1000

### KIPP Tubular handles, Form B

Order No. grip black anodized	Order No. grip titanium coloured powder-coated	Order No. grip natural colour anodized	A	B	D	H	L	Load capacity N
K0131.2000821	K0131.2000822	K0131.2000823	200	35	M8	67,5	230	1000
K0131.3000821	K0131.3000822	K0131.3000823	300	35	M8	67,5	330	1000
K0131.4000821	K0131.4000822	K0131.4000823	400	35	M8	67,5	430	1000
K0131.5000821	K0131.5000822	K0131.5000823	500	35	M8	67,5	530	1000

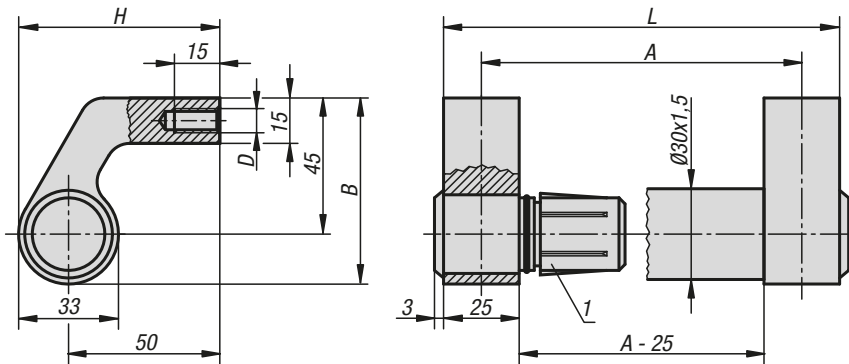
### KIPP Tubular handles, Form C

Order No. grip black anodized	Order No. grip titanium coloured powder-coated	Order No. grip natural colour anodized	A	B	D	H	L	Load capacity N
K0131.2000831	K0131.2000832	K0131.2000833	200	72,5	M8	77,5	216	1000
K0131.3000831	K0131.3000832	K0131.3000833	300	72,5	M8	77,5	316	1000
K0131.4000831	K0131.4000832	K0131.4000833	400	72,5	M8	77,5	416	1000
K0131.5000831	K0131.5000832	K0131.5000833	500	72,5	M8	77,5	516	1000



## Tubular handles

angled



### Material:

Legs EN AW-6060 extruded.  
Grip inserts glass-bead reinforced thermoplastic.  
Grip EN AW-6060.

### Version:

Legs matt-gloss black anodised.  
Grip insert black.  
Grip fine ground and anodised, powder-coated or with serrated black plastic sleeve.

### Sample order:

K0132.3001

### Note:

The push-fit handle system shown here can be supplied as complete handles or as pre-assembled legs and grip inserts for mounting custom length grip tubes. The connection between leg and grip tube is splash-proof and absolutely tight.

### Assembly:

From the rear.

### On request:

Supports for larger tube lengths.

### Drawing reference:

1) grip insert

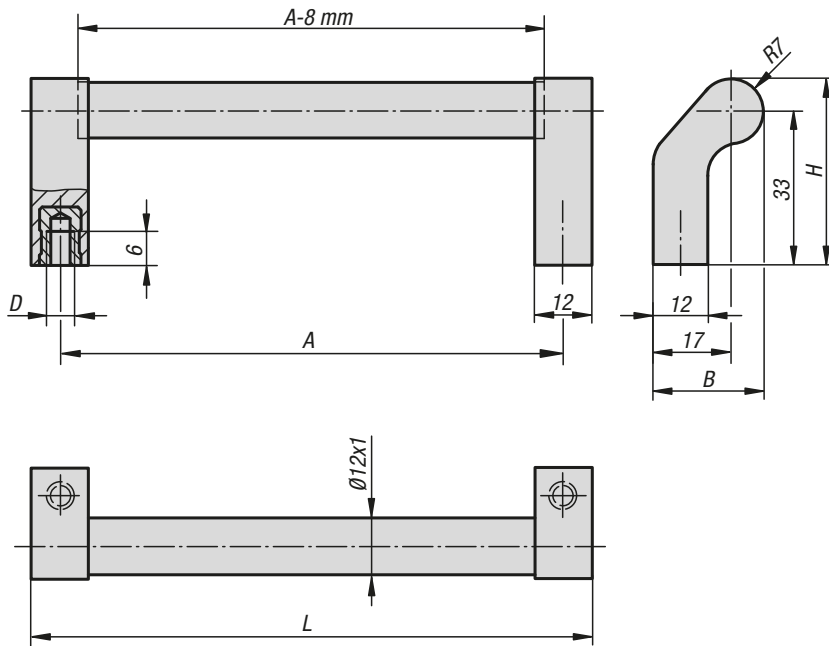
### KIPP Tubular handles angled

Order No. natural anodized	Order No. black anodised	Order No. black powder-coated	Order No. black plastic ribbed	A	B	D	H	L	Load capacity N
K0132.2001	K0132.2002	K0132.2003	K0132.2004	200	61,5	M8	66,5	225	1000
K0132.2501	K0132.2502	K0132.2503	K0132.2504	250	61,5	M8	66,5	275	1000
K0132.3001	K0132.3002	K0132.3003	K0132.3004	300	61,5	M8	66,5	325	1000
K0132.3501	K0132.3502	K0132.3503	K0132.3504	350	61,5	M8	66,5	375	1000
K0132.4001	K0132.4002	K0132.4003	K0132.4004	400	61,5	M8	66,5	425	1000
K0132.5001	K0132.5002	K0132.5003	K0132.5004	500	61,5	M8	66,5	525	1000
K0132.6001	K0132.6002	K0132.6003	K0132.6004	600	61,5	M8	66,5	625	1000

## Tubular handles

angled

19"



**Material:**

Grip aluminium EN AW-6060 or stainless steel 1.4301.  
Legs polyamide glass-bead reinforced.  
Bushing brass.

**Version:**

Grip natural colour, black anodised or finely ground stainless steel.  
Legs matt black.

**Sample order:**

K0235.088041

**Note:**

Clamping webs give a precision fit of tube to legs.

**Assembly:**

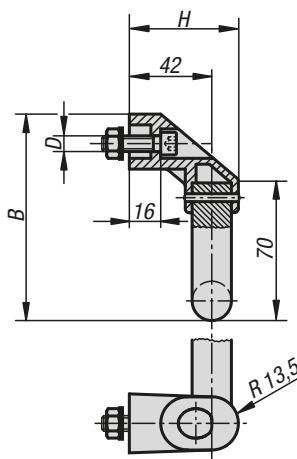
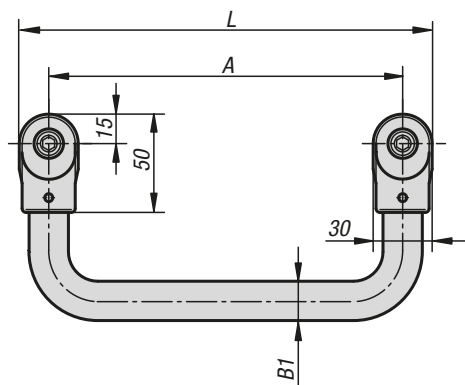
From the rear.

### KIPP Tubular handles angled

Order No.	Main material	Main colour	A	B	D	H	L	Load capacity N
K0235.088041	aluminium	natural anodised	88	24	M4	40	100	200
K0235.096041	aluminium	natural anodised	96	24	M4	40	108	200
K0235.120041	aluminium	natural anodised	120	24	M4	40	132	200
K0235.128041	aluminium	natural anodised	128	24	M4	40	140	200
K0235.160041	aluminium	natural anodised	160	24	M4	40	172	200
K0235.180041	aluminium	natural anodised	180	24	M4	40	192	200
K0235.088042	aluminium	black anodised	88	24	M4	40	100	200
K0235.096042	aluminium	black anodised	96	24	M4	40	108	200
K0235.120042	aluminium	black anodised	120	24	M4	40	132	200
K0235.128042	aluminium	black anodised	128	24	M4	40	140	200
K0235.160042	aluminium	black anodised	160	24	M4	40	172	200
K0235.180042	aluminium	black anodised	180	24	M4	40	192	200
K0235.088043	stainless steel	ground	88	24	M4	40	100	200
K0235.096043	stainless steel	ground	96	24	M4	40	108	200
K0235.120043	stainless steel	ground	120	24	M4	40	132	200
K0235.128043	stainless steel	ground	128	24	M4	40	140	200
K0235.160043	stainless steel	ground	160	24	M4	40	172	200
K0235.180043	stainless steel	ground	180	24	M4	40	192	200

## Tubular handles

angled



**Material:**

Leg glass-bead reinforced thermoplastic.  
Grip aluminium tube.

**Version:**

Black thermoplastic.  
Anodised aluminium.

**Sample order:**

K0220.3002

**Note:**

The legs are pinned to the aluminium tube. Black electro zinc-plated cap screws, nuts and washers are supplied.

**Assembly:**

From the front.

### KIPP Tubular handles angled

Order No. natural	Order No. black	A	B	B1	D	H	L	Load capacity N
K0220.2001	K0220.2002	200	115	20	M8x30	55,5	230	800
K0220.2501	K0220.2502	250	115	20	M8x30	55,5	280	800
K0220.3001	K0220.3002	300	115	20	M8x30	55,5	330	800
K0220.3501	K0220.3502	350	115	20	M8x30	55,5	380	800
K0220.4001	K0220.4002	400	115	20	M8x30	55,5	430	800

## Tubular handles



**Material:**

Aluminium.

**Version:**

Leg black powder-coated.

Grip natural colour anodised.

**Sample order:**

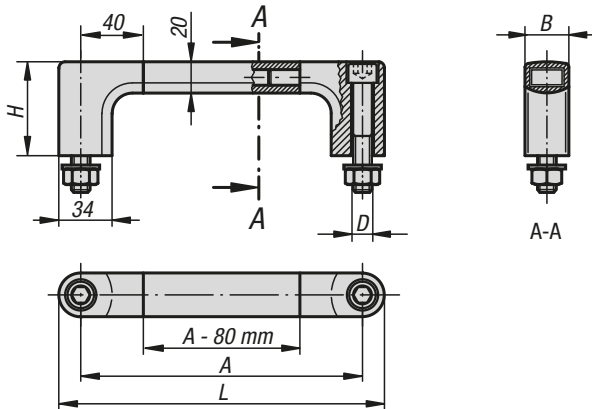
K0209.300

**Note:**

Black electro zinc-plated M12x70 cap screws, suitable washers and nuts for fastening are supplied.

**Assembly:**

From the front.



### KIPP Tubular handles

Order No.	A	B	D	H	L	Load capacity N
K0209.180	180	28	M12	60	208	1000
K0209.200	200	28	M12	60	228	1000
K0209.250	250	28	M12	60	278	1000
K0209.300	300	28	M12	60	328	1000
K0209.350	350	28	M12	60	378	1000
K0209.400	400	28	M12	60	428	1000
K0209.500	500	28	M12	60	528	1000
K0209.600	600	28	M12	60	628	1000

## Ledge handles



**Material:**

Profile aluminium EN AW-6060

**Version:**

Profile aluminium vibration ground, matt-finished and natural colour or black anodised.

**Sample order:**

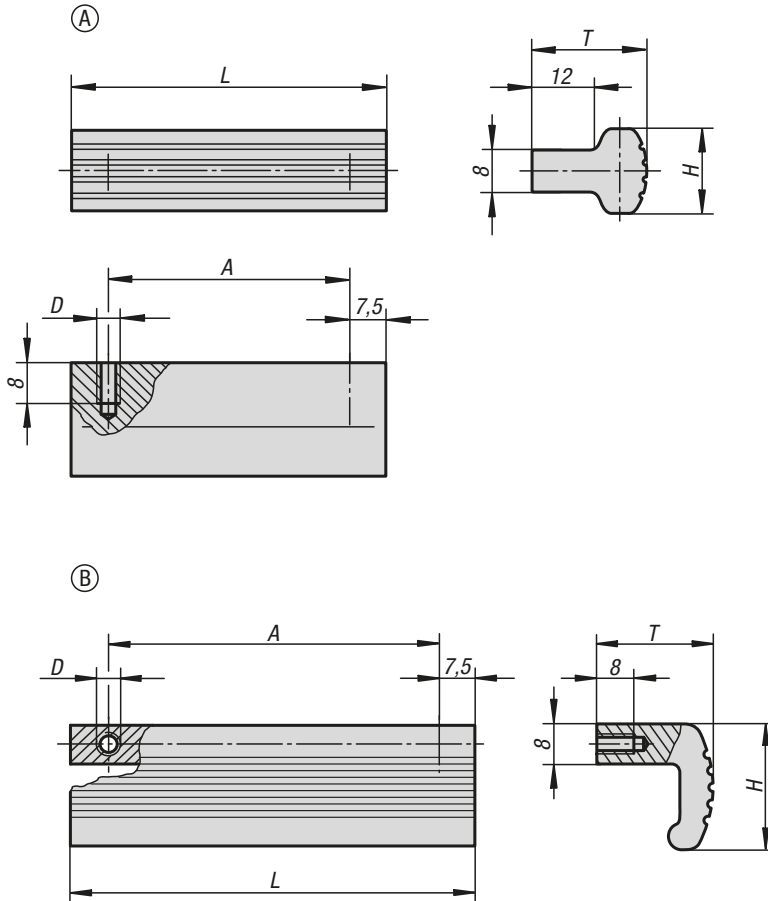
K0232.10301

**Assembly:**

From the rear.

**On request:**

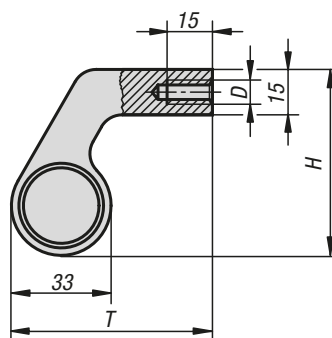
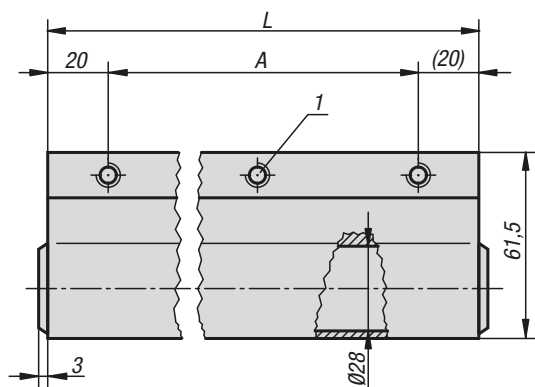
Any other lengths.



### KIPP Ledge handles

Order No. natural anodized	Order No. black anodised	Form	A	D	H	L	T	Load capacity N
K0232.10301	K0232.10302	A	30	M4	16	45	22	200
K0232.10451	K0232.10452	A	45	M4	16	60	22	200
K0232.10701	K0232.10702	A	70	M4	16	85	22	200
K0232.10901	K0232.10902	A	90	M4	16	105	22	200
K0232.11051	K0232.11052	A	105	M4	16	120	22	200
K0232.11201	K0232.11202	A	120	M4	16	135	22	200
K0232.20301	K0232.20302	B	30	M4	26	45	25	200
K0232.20451	K0232.20452	B	45	M4	26	60	25	200
K0232.20701	K0232.20702	B	70	M4	26	85	25	200
K0232.20901	K0232.20902	B	90	M4	26	105	25	200
K0232.21051	K0232.21052	B	105	M4	26	120	25	200
K0232.21201	K0232.21202	B	120	M4	26	135	25	200

## Ledge handles



**Material:**  
Profile aluminium EN AW-6060.  
End caps black thermoplastic.

**Version:**  
Matt-gloss anodised.

**Sample order:**  
K0130.3001

**Note:**  
Ledge handles have many uses including sliding doors and technical installations. This ledge handle is also suitable as edge protection.

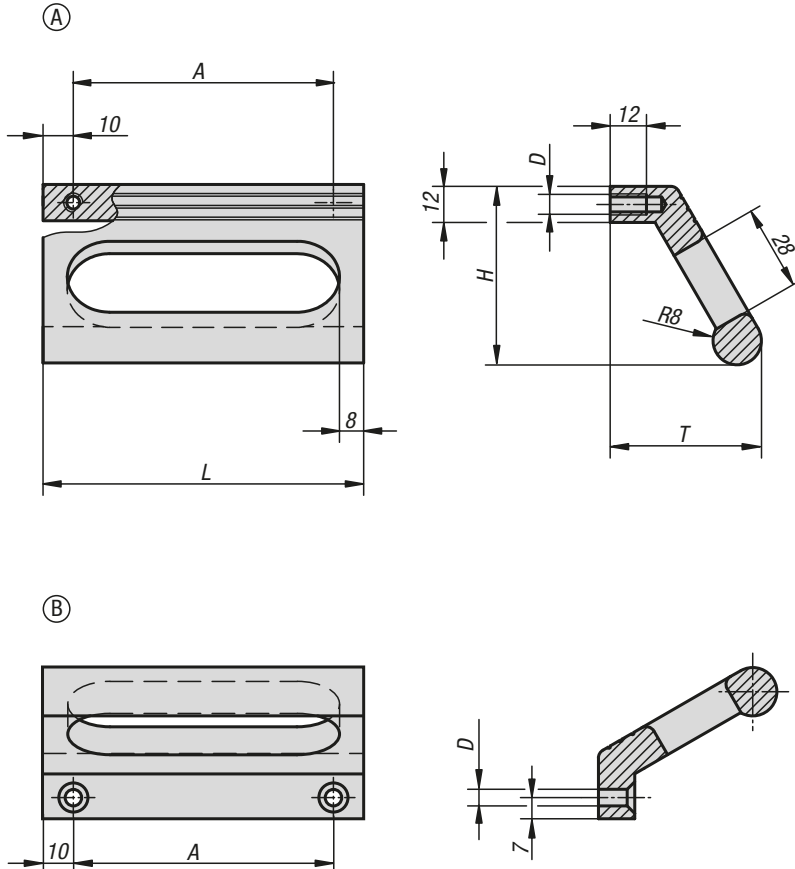
**Assembly:**  
From the rear.

**Drawing reference:**  
1) middle tapped hole only  $L \geq 400$  mm

### KIPP Ledge handles

Order No.	Main colour	A	D	H	L	T	Load capacity N
K0130.1501	natural anodized	110	M8	61,5	150	66,5	1000
K0130.2001	natural anodized	160	M8	61,5	200	66,5	1000
K0130.2501	natural anodized	210	M8	61,5	250	66,5	1000
K0130.3001	natural anodized	260	M8	61,5	300	66,5	1000
K0130.3501	natural anodized	310	M8	61,5	350	66,5	1000
K0130.4001	natural anodized	360	M8	61,5	400	66,5	1000
K0130.1502	black anodised	110	M8	61,5	150	66,5	1000
K0130.2002	black anodised	160	M8	61,5	200	66,5	1000
K0130.2502	black anodised	210	M8	61,5	250	66,5	1000
K0130.3002	black anodised	260	M8	61,5	300	66,5	1000
K0130.3502	black anodised	310	M8	61,5	350	66,5	1000
K0130.4002	black anodised	360	M8	61,5	400	66,5	1000
K0130.5002	black anodised	460	M8	61,5	500	66,5	1000
K0130.6002	black anodised	560	M8	61,5	600	66,5	1000

## Ledge handles



**Material:**  
Profile aluminium EN AW-6060

**Version:**  
Matt-gloss anodised.

**Sample order:**  
K0234.086061

**Note:**  
These ledge handles are available with M6 internal thread or with through hole for M5 countersunk screws for front mounting.

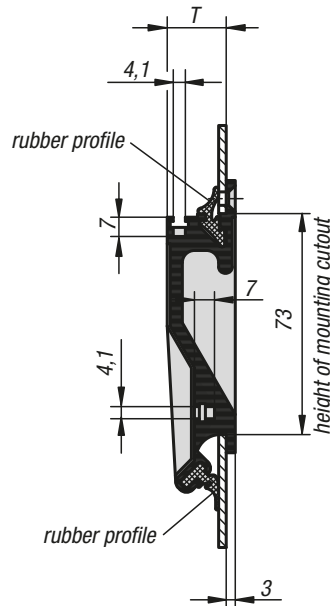
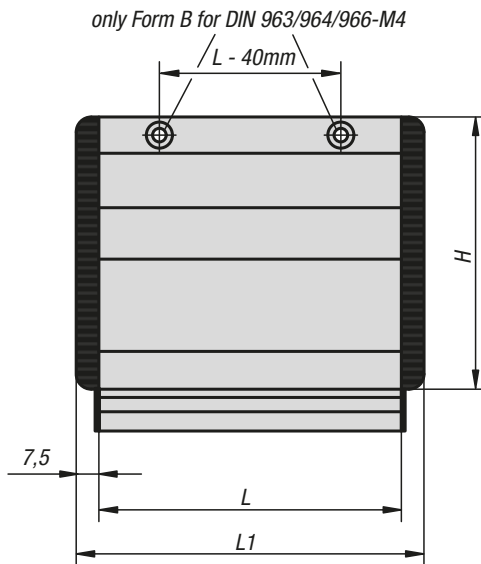
**Assembly:**  
Form A from the rear.  
Form B from the front.

### KIPP Ledge handles

Order No.	Form	Main colour	A	D	H	L	T	Load capacity N
K0234.086061	A	black anodised	86	M6	59	106	50	500
K0234.100061	A	black anodised	100	M6	59	120	50	500
K0234.120061	A	black anodised	120	M6	59	140	50	500
K0234.086063	A	natural anodised	86	M6	59	106	50	500
K0234.100063	A	natural anodised	100	M6	59	120	50	500
K0234.120063	A	natural anodised	120	M6	59	140	50	500
K0234.086051	B	black anodised	86	5,5	59	106	50	500
K0234.100051	B	black anodised	100	5,5	59	120	50	500
K0234.120051	B	black anodised	120	5,5	59	140	50	500
K0234.086053	B	natural anodised	86	5,5	59	106	50	500
K0234.100053	B	natural anodised	100	5,5	59	120	50	500
K0234.120053	B	natural anodised	120	5,5	59	140	50	500

## Recessed handles

19"



**Material:**

Grip aluminium profile.

End caps polyamide.

Form A: rubber profile for mounting.

Form B: 2 steel countersunk screws for mounting.

**Version:**

Handle glass-bead blasted, satin finish and anodised black or natural colour.

Rubber profile black.

Fastening screws electro zinc-plated.

**Sample order:**

K0238.10011

**Note:**

The Form A handles can be mounted without screws by material thicknesses of 1 - 2.5 mm. Two rubber profiles ensure an absolutely firm hold.

The Form B handles can be mounted from the front with 2 countersunk screws.

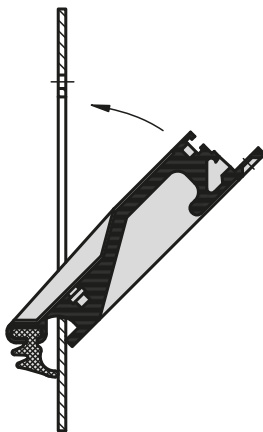
Two cross-slots offset by 90° for M4 screws allow an earthing cable to be connected and can serve as mounting aids for additional parts.

**Assembly:**

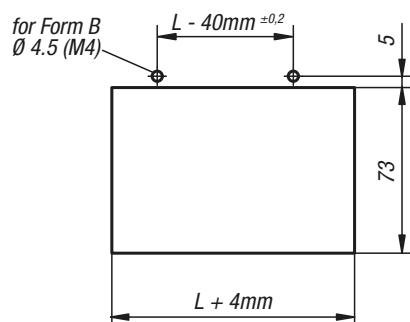
After fitting the lower rubber profile, press the two side caps onto the handle. Next press the handle over the lower edge of the mounting cutout at a 45° angle and then push it up against the housing panel.

Now, depending on which type is being used, push the 2nd rubber profile into the upper groove or fix in place with 2 countersunk screws.

installation



mounting cutout



### KIPP Recessed handles

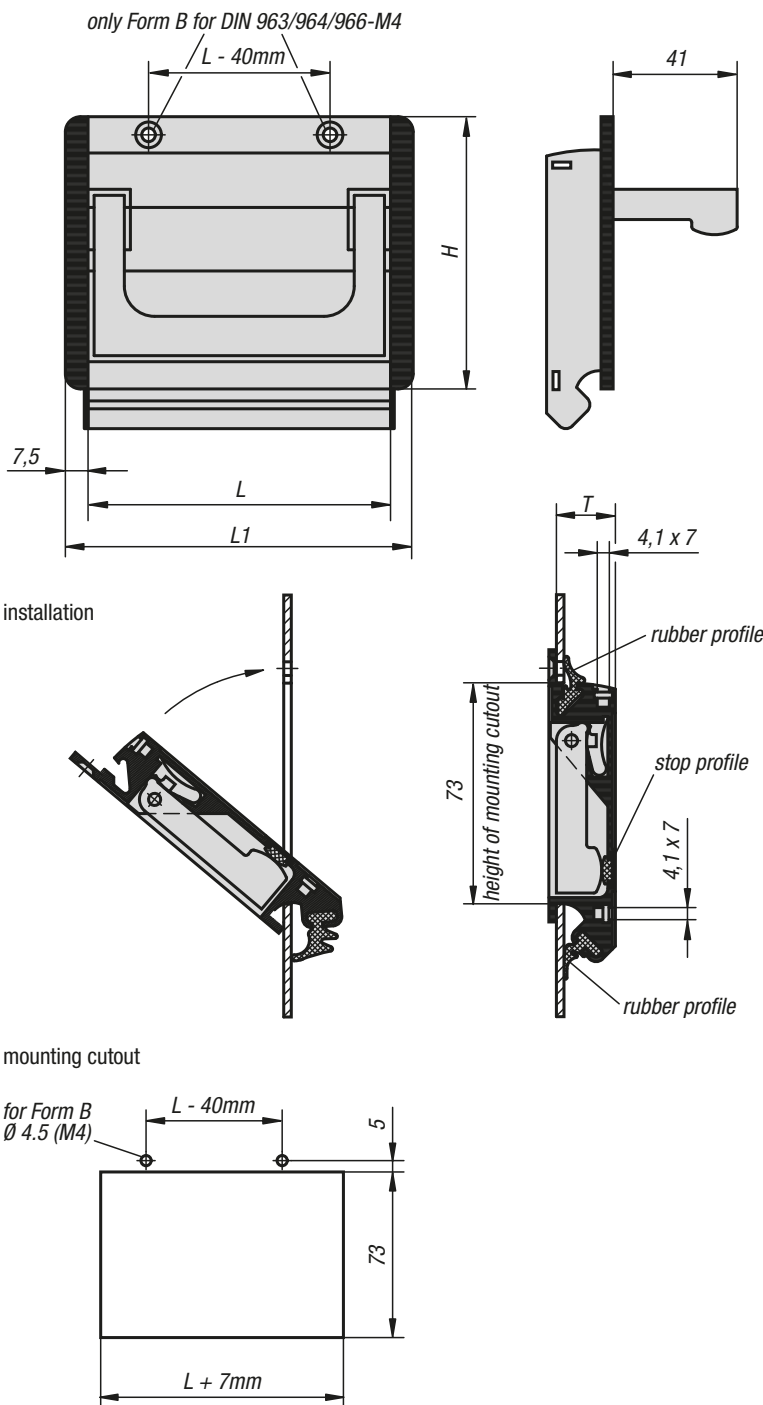
Order No. black	Order No. natural	Form	Version 2	H	L	L1	T	Mounting cutout	Load capacity N
K0238.10011	K0238.10013	A	plug-in	90	100	115	19,5	104 x 73	500
K0238.11811	K0238.11813	A	plug-in	90	118	133	19,5	122 x 73	500
K0238.16711	K0238.16713	A	plug-in	90	167	182	19,5	171 x 73	500
K0238.10021	K0238.10023	B	screw on	90	100	115	19,5	104 x 73	500
K0238.11821	K0238.11823	B	screw on	90	118	133	19,5	122 x 73	500
K0238.16721	K0238.16723	B	screw on	90	167	182	19,5	171 x 73	500



## Recessed handles

fold-down

19"



### Material:

Tray and grip aluminium profile.

End caps polyamide.

Form A: Rubber profile for mounting.

Form B: 2 steel countersunk screws for mounting.

### Version:

Tray and grip glass-bead blasted, satin finish and anodised black or natural colour.

Rubber profile black.

Fastening screws electro zinc-plated.

### Sample order:

K0239.10011

### Note:

Form A handles can be mounted without screws for material thicknesses of 1 - 2.5 mm using 2 rubber profiles.

Form B handles can be mounted from the front with 2 countersunk screws.

Two cross-slots for M4 screws allow earthing connection and can serve as a mounting aid for additional parts.

### Assembly:

After fitting the lower rubber profile, press the two side caps onto the handle. Next press the handle over the lower edge of the mounting cutout at a 45° angle and then push it up against the housing panel.

Now push the 2nd rubber profile into the upper groove or fix in place with 2 countersunk screws.

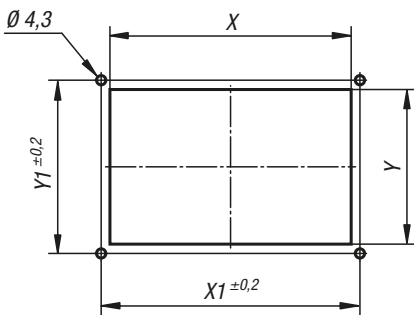
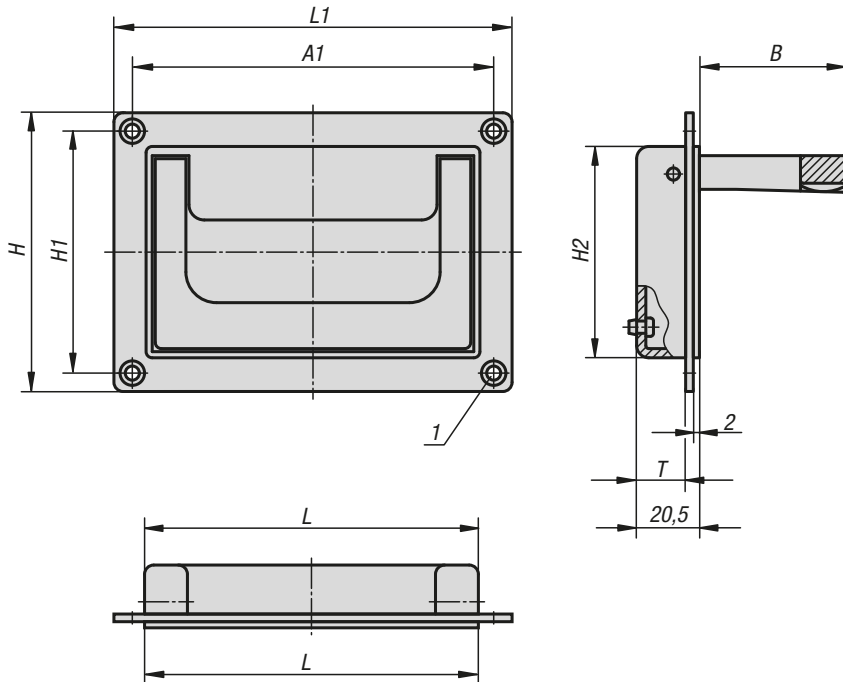
## KIPP Recessed handles fold-down

Order No. black	Order No. natural	Form	Version 2	H	L	L1	T	Mounting cutout	Load capacity N
K0239.10011	K0239.10013	A	plug-in	90	100	115	19,5	107 x 73	500
K0239.11811	K0239.11813	A	plug-in	90	118	133	19,5	125 x 73	500
K0239.16711	K0239.16713	A	plug-in	90	167	182	19,5	174 x 73	500
K0239.10021	K0239.10023	B	screw on	90	100	115	19,5	107 x 73	500
K0239.11821	K0239.11823	B	screw on	90	118	133	19,5	125 x 73	500
K0239.16721	K0239.16723	B	screw on	90	167	182	19,5	174 x 73	500

## Recessed handles

fold-down

19"



**Material:**  
Die-cast aluminium.

**Version:**  
Tray and handle black or light grey powder-coated, semi-matt.

**Sample order:**  
K0240.05018411

**Note:**  
With their modern design recessed fold-down handles can be used wherever solid and attractive handles are required.  
Handles Form A snap into both resting and working positions.  
Handles Form B swivel back into the resting position automatically after use.

**Assembly:**  
The fold-down recessed handles can be installed from the front or rear of the housing panel with the same housing cutout.

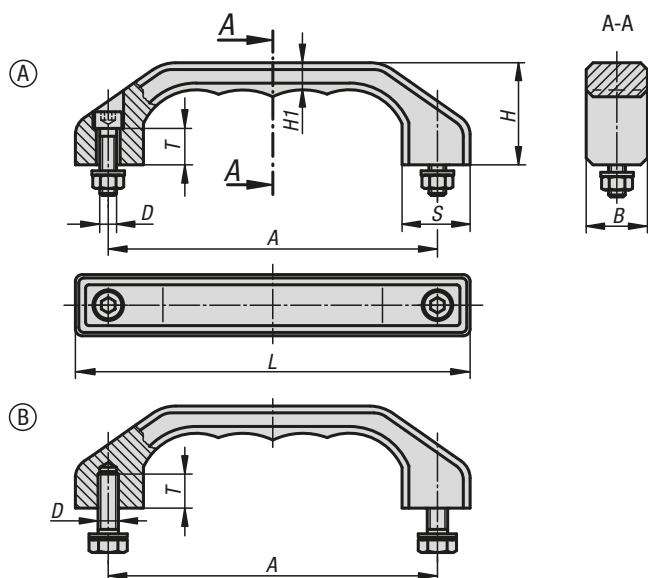
**Drawing reference:**  
1) for countersunk screws M4

### KIPP Recessed handles fold-down

Order No.	Form	Main colour	A1	B	H	H1	H2	L	L1	T	X	X1	Y	Y1	Load capacity N
K0240.07911811	A	black	118	48	91	79	69	109	130	16	110	118	70,5	79	500
K0240.05018411	A	black	184	51	80	50	72	170	200	16	171	184	73	50	500
K0240.07911812	A	light grey RAL 7035	118	48	91	79	69	109	130	16	110	118	70,5	79	500
K0240.05018412	A	light grey RAL 7035	184	51	80	50	72	170	200	16	171	184	73	50	500
K0240.07911821	B	black	118	48	91	79	69	109	130	16	110	118	70,5	79	500
K0240.05018421	B	black	184	51	80	50	72	170	200	16	171	184	73	50	500
K0240.07911822	B	light grey RAL 7035	118	48	91	79	69	109	130	16	110	118	70,5	79	500
K0240.05018422	B	light grey RAL 7035	184	51	80	50	72	170	200	16	171	184	73	50	500

## Pull handles

stainless steel



**Material:**

Investment cast 1.4308 stainless steel.  
Fasteners 1.4301 stainless steel.

**Version:**

Abrasive cleaned and matt gloss electropolished.

**Sample order:**

K0198.140081

**Assembly:**

Form A from the front.  
Form B from the rear.

### KIPP Pull handles stainless steel

Order No.	Form	A	B	D	H	H1	L	S	T	Load capacity N
K0198.140081	A	140	25	M8x30	45	12	170	28	15	1000
K0198.180101	A	180	32	M10x40	58	15	218	36	18	1000
K0198.140082	B	140	25	M8x18	45	12	170	28	15	1000
K0198.180102	B	180	32	M10x20	58	15	218	36	18	1000

## Pull handles

stainless steel



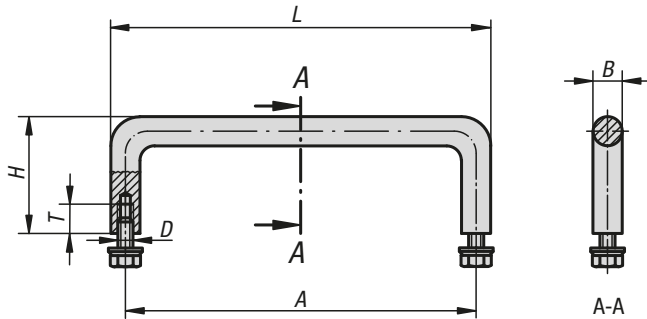
**Material:**  
Pull handle 1.4404 stainless steel.  
Fastening material grade A4.

**Version:**  
Semi-gloss vibratory ground.

**Sample order:**  
K0206.120

**Note:**  
Stainless steel pull handles are used mainly on equipment in the medical and food industry as well as in laboratories and nuclear technology.

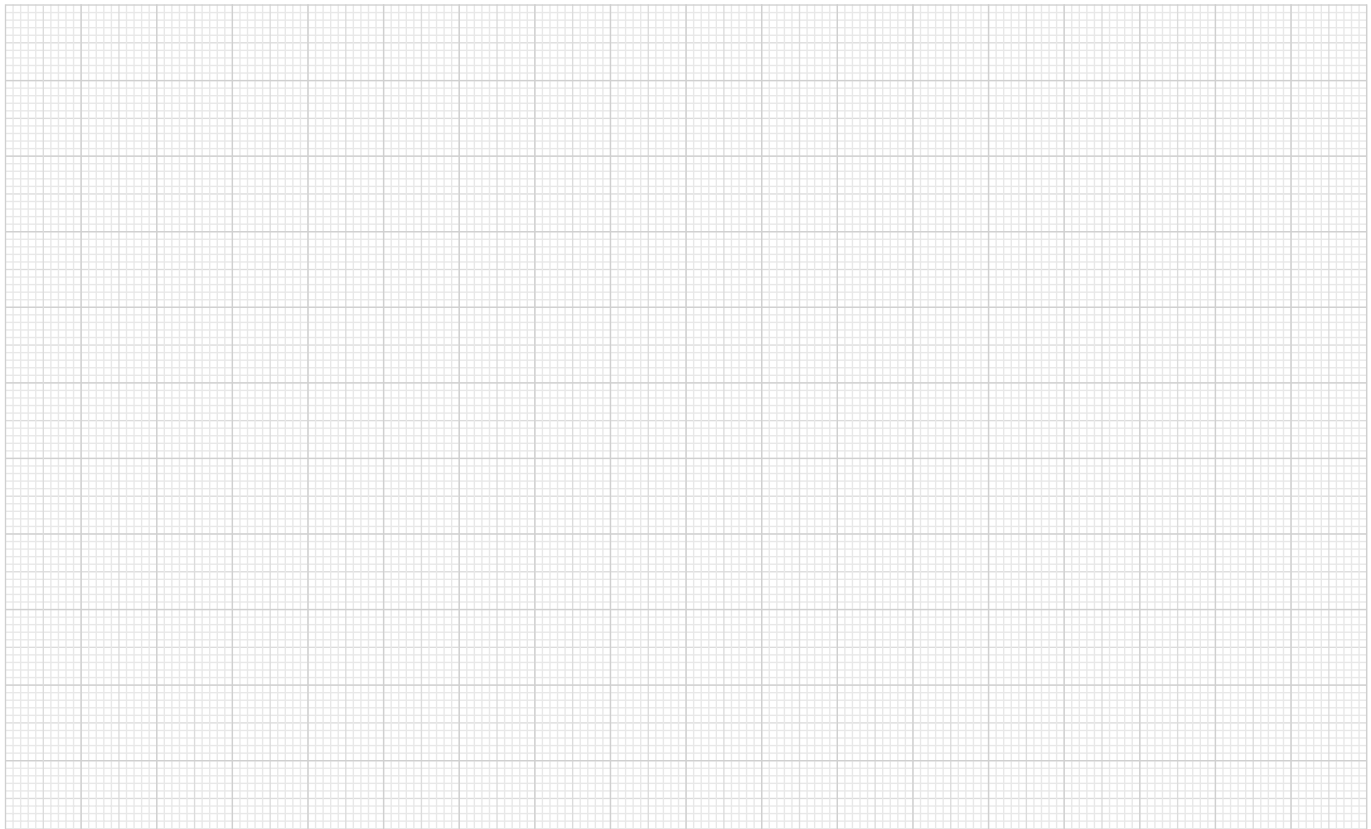
**Assembly:**  
From the rear.



### KIPP Pull handles stainless steel

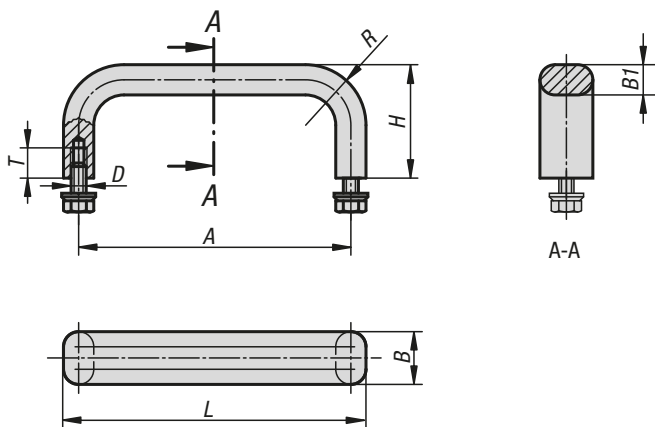
Order No.	A	B	D	H	L	T	Load capacity N
K0206.100	100	8	M5x10	35	108	10	1000
K0206.120	120	10	M5x10	40	130	10	1000
K0206.250	250	10	M5x10	40	260	10	1000
K0206.350	350	10	M5x10	40	360	10	1000

## Notes



## Pull handles

stainless steel



**Material:**

Handle stainless steel 1.4404.  
Fastening material 1.4301.

**Version:**

Vibratory ground semi-gloss finish.

**Sample order:**

K0208.10005

**Assembly:**

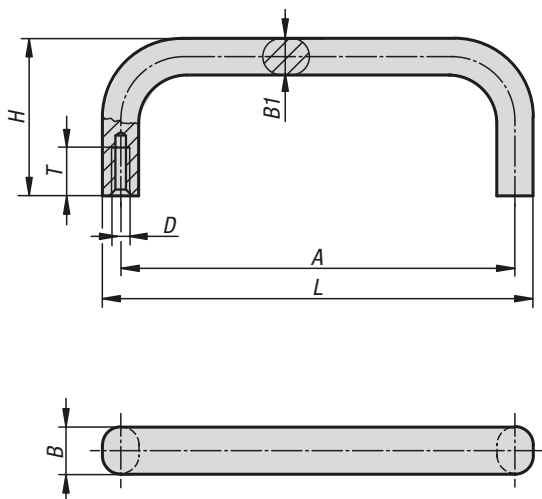
From the rear.

### KIPP Pull handles stainless steel

Order No.	A	B	B1	D	H	L	R	T	Load capacity N
K0208.10005	100	12	8	M5x10	40	108	22	10	1000
K0208.12005	120	12	8	M5x10	40	128	22	10	1000
K0208.15005	150	12	8	M5x10	40	158	22	10	1000
K0208.18005	180	12	8	M5x10	40	188	22	10	1000
K0208.25005	250	12	8	M5x10	40	258	22	10	1000
K0208.10006	100	19,5	10	M6x12	45	110	24	12	1000
K0208.12006	120	19,5	10	M6x12	45	130	24	12	1000
K0208.15006	150	19,5	10	M6x12	45	160	24	12	1000
K0208.18006	180	19,5	10	M6x12	45	190	24	12	1000
K0208.25006	250	19,5	10	M6x12	45	260	24	12	1000

## Pull handles

stainless steel



**Material:**

Stainless steel 1.4301.

**Version:**

Vibratory ground semi-gloss finish.

**Sample order:**

K1086.1001005

**Assembly:**

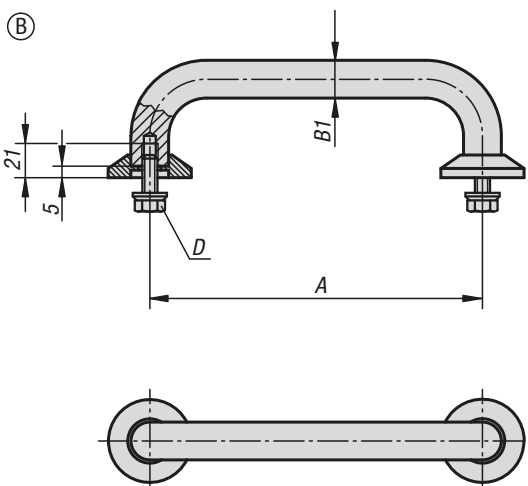
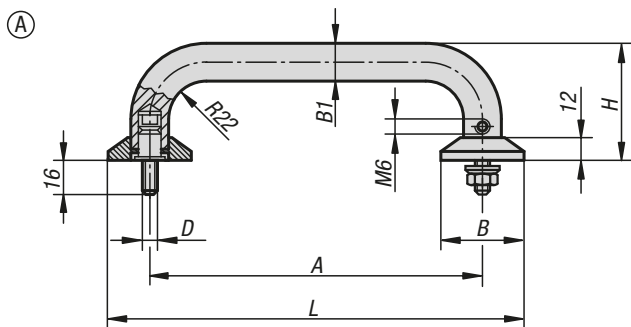
From the rear.

### KIPP Pull handles stainless steel

Order No.	A	B	B1	D	H	L	T	Load capacity N
K1086.1000805	100	12	8	M5	39	108	10	1000
K1086.1200805	120	12	8	M5	39	128	10	1000
K1086.1001005	100	15	10	M5	39	110	10	1000
K1086.1501005	150	15	10	M5	39	160	10	1000
K1086.1801005	180	15	10	M5	39	190	10	1000

## Pull handles

stainless steel



**Material:**

Pull Handle and fasteners 1.4404 stainless steel.

**Version:**

Ground and satin brushed finish.

**Sample order:**

K0215.2001

**Note:**

These stainless steel pull handles are ideal for all technical applications where highest load and high chemical or corrosive resistance is required.

**Drawing reference:**

Form A  
fastening from the front.

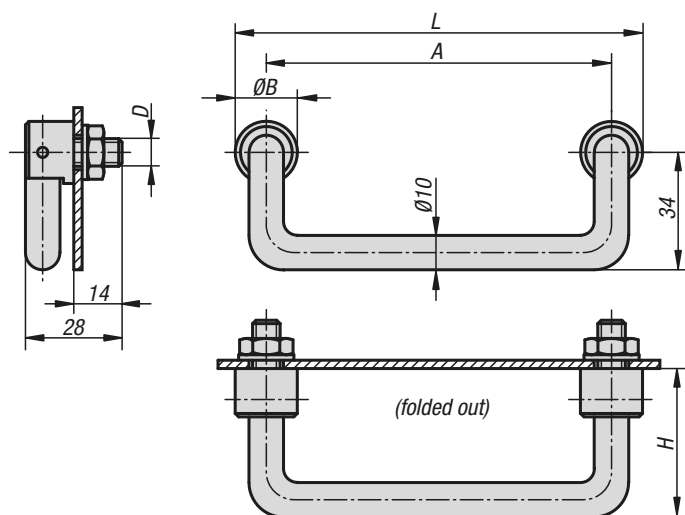
Form B  
fastening from the rear.

**KIPP Pull handles stainless steel**

Order No.	Form	A	B	B1	D	H	L	Load capacity N
K0215.2001	A	200	50	20	M8	75	250	1000
K0215.2501	A	250	50	20	M8	75	300	1000
K0215.2002	B	200	50	20	M8	75	250	1000
K0215.2502	B	250	50	20	M8	75	300	1000

## Pull handles

fold-down



**Material:**

Steel or 1.4305 stainless steel

**Version:**

Steel version:

Surface finely ground and high-gloss chromed or with a smooth plastic cover on the grip.

Stainless steel version:

Surface semi-gloss score-free vibratory ground.

**Sample order:**

K0218.1201

**Note:**

Steel or stainless steel fastening material is provided. Spring lock in both end positions.

**Assembly:**

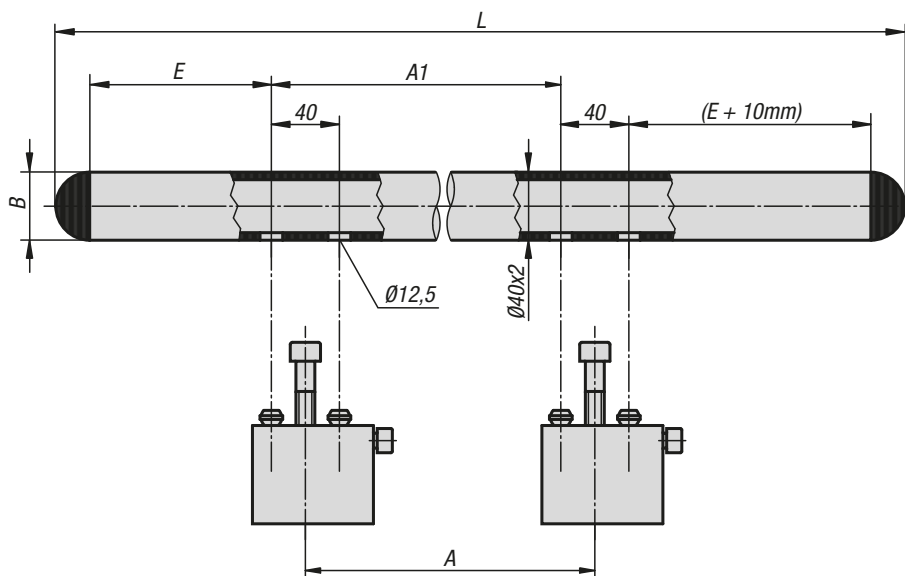
From the rear.

### KIPP Pull handles fold-down

Order No. steel	Order No. steel with plastic cover	Order No. stainless steel	A	B	D	H	L	Load capacity N
K0218.1001	K0218.1002	K0218.1003	100	18	M10x1	48	118	500
K0218.1201	K0218.1202	K0218.1203	120	18	M10x1	48	138	500
K0218.1801	K0218.1802	K0218.1803	180	18	M10x1	48	198	500



## Tubular handles



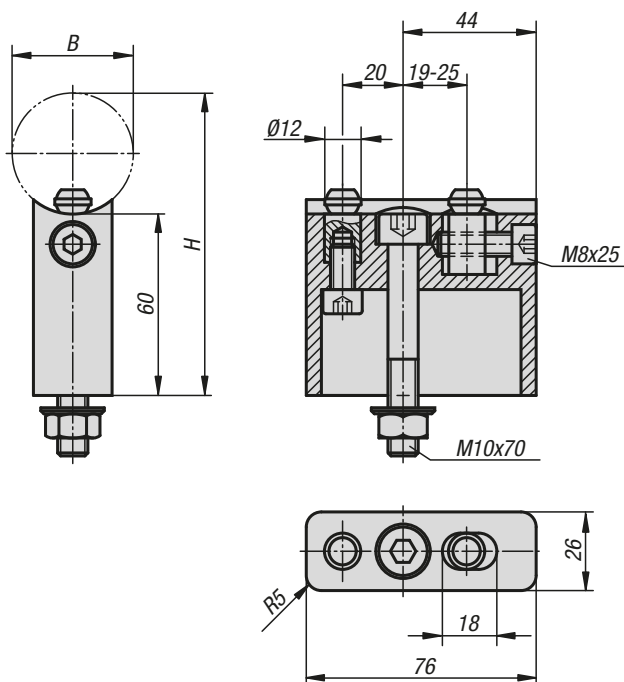
**Material:**  
 Grip stainless steel 1.4301.  
 Legs die-cast aluminium.  
 End caps glass-bead reinforced plastic.  
 Screws and locking pins steel.

**Version:**  
 Grip finely ground.  
 Legs black powder-coated.  
 End cap black.  
 Screws and pins trivalent passivated.

**Sample order:**  
 K0225.0600101

**Note:**  
 Heavy duty tubular pull handles for machine and plant construction. Easy mounting from the front.  
 Adjustable leg spacing by the same grip length.

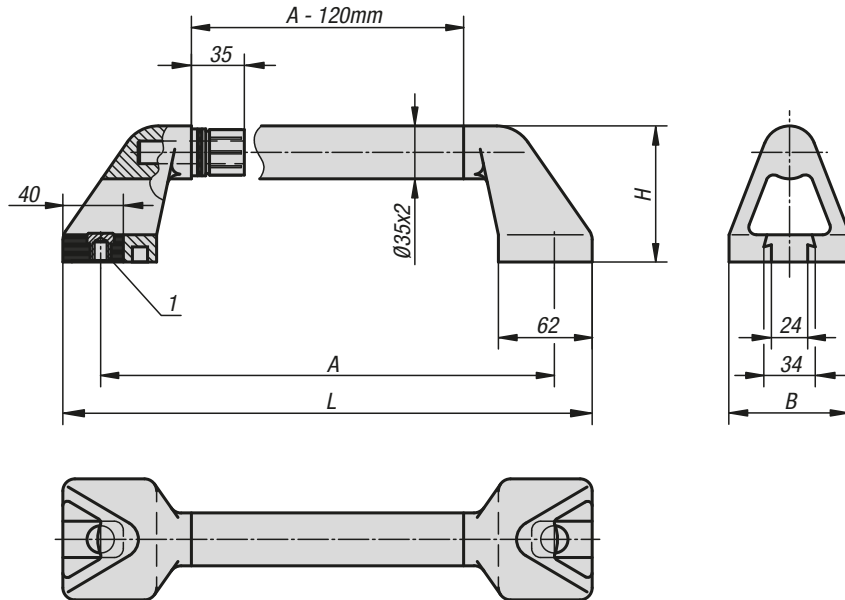
Leg locking diagram:



### KIPP Tubular handles

Order No.	A	A1	B	E	H	L	Load capacity N
K0225.0600101	380	380	40	85	100	640	1000
K0225.0700101	480	480	40	85	100	740	1000
K0225.0800101	500	500	40	125	100	840	1000
K0225.0900101	600	600	40	125	100	940	1000
K0225.1000101	700	700	40	125	100	1040	1000

## Tubular handles



**Material:**

Legs glass-bead reinforced thermoplastic.  
Grip stainless steel 1.4301.  
Inserts stainless steel 1.4305.

**Version:**

Legs fine structured, black.  
Grip fine ground.  
Inserts fine turned.

**Sample order:**

K0226.300101

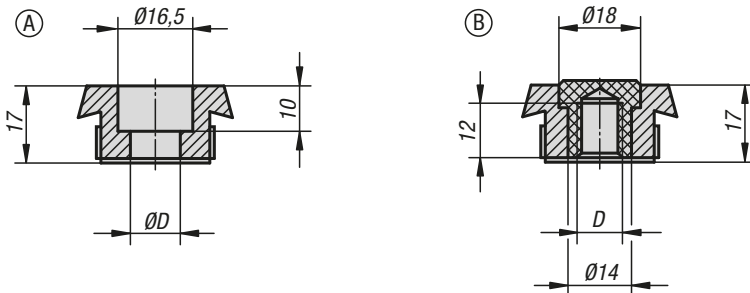
**Note:**

Locking webs allow a precision fit of the tube on the plastic leg boss.  
Splash-proof with O-ring seals.  
Different fastening inserts allow mounting from the front, rear or with each other.  
Handles with through hole inserts (Form A) are supplied with stainless steel fasteners.  
Handles with tapped inserts (Form B) are supplied without fasteners.

**Drawing reference:**

Form A: screw head insert  
Form B: threaded insert

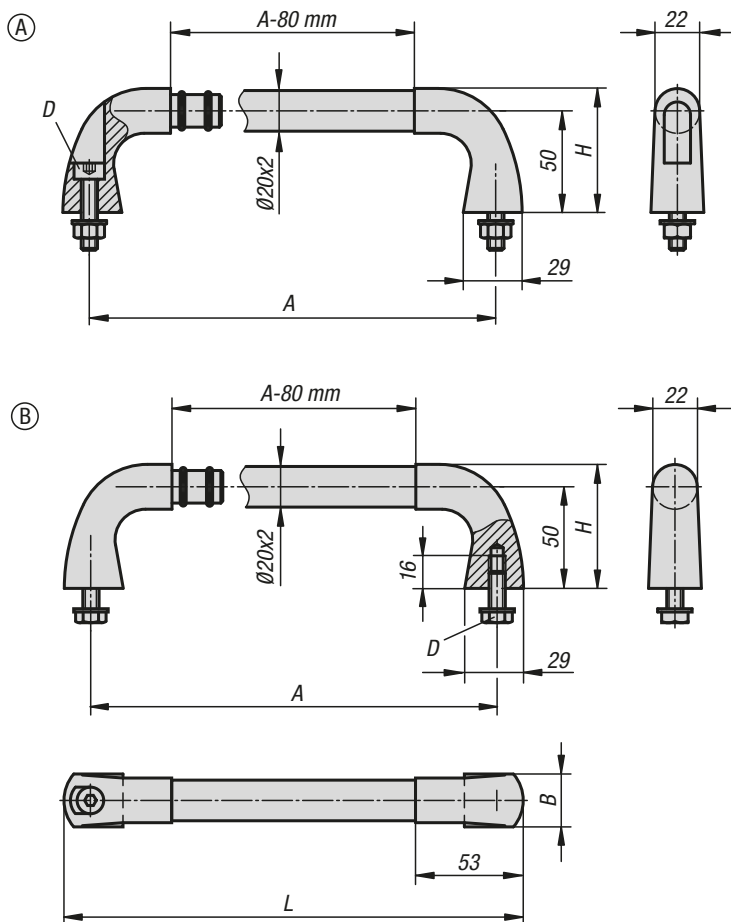
1) Screw head insert (A) or threaded insert (B).



### KIPP Tubular handles

Order No.	Form	A	B	D	H	L	Load capacity N
K0226.300101	A	300	80	11	90	350	1000
K0226.350101	A	350	80	11	90	400	1000
K0226.400101	A	400	80	11	90	450	1000
K0226.500101	A	500	80	11	90	550	1000
K0226.600101	A	600	80	11	90	650	1000
K0226.300102	B	300	80	M10	90	350	1000
K0226.350102	B	350	80	M10	90	400	1000
K0226.400102	B	400	80	M10	90	450	1000
K0226.500102	B	500	80	M10	90	550	1000
K0226.600102	B	600	80	M10	90	650	1000

## Tubular handles stainless steel



**Material:**  
Grip and fasteners 1.4301 stainless steel.  
Legs investment cast 1.4581 stainless steel.

**Version:**  
Grip finely ground or with ribbed black plastic sleeve.  
Legs abrasive cleaned and matt-gloss electropolished.

**Sample order:**  
K0227.200081

**Note:**  
Cap screws with nuts and washers are supplied for Form A handles.  
Hexagon head screws and washers are supplied for Form B handles.

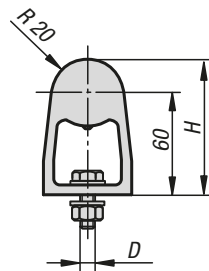
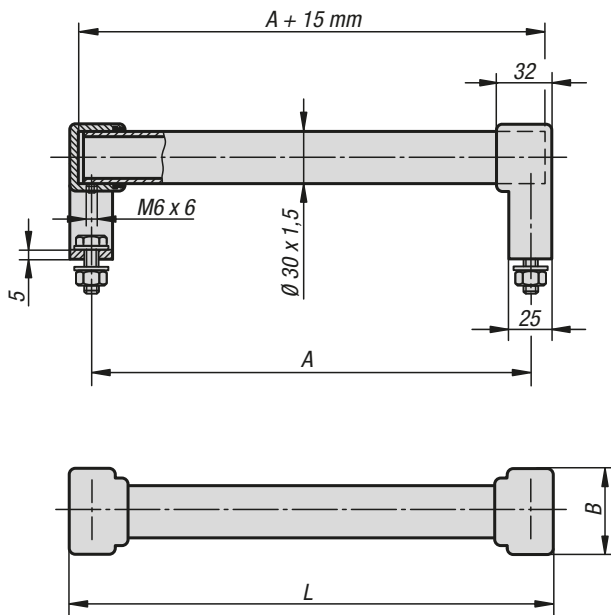
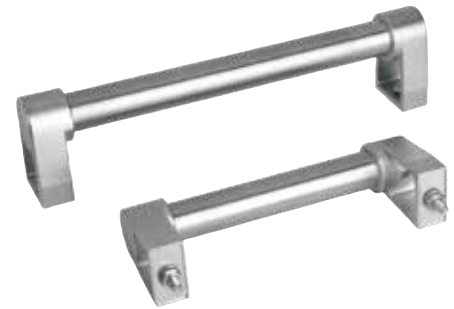
**Assembly:**  
Form A from the front.  
Form B from the rear.

### KIPP Tubular handles stainless steel

Order No.	Form	Main colour	A	B	D	H	L	Load capacity N
K0227.200081	A	ground	200	26	M8x35	60	226	1000
K0227.300081	A	ground	300	26	M8x35	60	326	1000
K0227.400081	A	ground	400	26	M8x35	60	426	1000
K0227.200082	A	black plastic ribbed	200	26	M8x35	60	226	1000
K0227.300082	A	black plastic ribbed	300	26	M8x35	60	326	1000
K0227.400082	A	black plastic ribbed	400	26	M8x35	60	426	1000
K0227.200083	B	ground	200	26	M8x20	60	226	1000
K0227.300083	B	ground	300	26	M8x20	60	326	1000
K0227.400083	B	ground	400	26	M8x20	60	426	1000
K0227.200084	B	black plastic ribbed	200	26	M8x20	60	226	1000
K0227.300084	B	black plastic ribbed	300	26	M8x20	60	326	1000
K0227.400084	B	black plastic ribbed	400	26	M8x20	60	426	1000

## Tubular handles

stainless steel



**Material:**

Grip and fastening material stainless steel 1.4301.  
 Legs investment cast G 4581.  
 Clamping and sealing rings food-grade silicone rubber, long term temperature resistance -60 °C to +200 °C.

**Version:**

Grip finely ground.  
 Legs blasted and semi-gloss electropolished.

**Sample order:**

K0652.200301

**Note:**

General purpose self-assembly stainless steel tubular handles. Splashproof tube/leg connection. Additional tube clamping with socket head grub screws. For mounting from the front or rear. Easy to clean, especially suitable for the foodstuff industry.

**Assembly:**

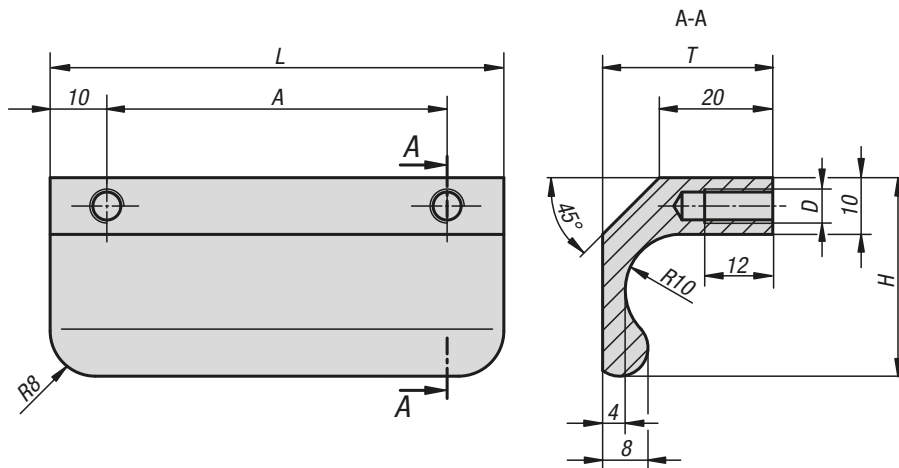
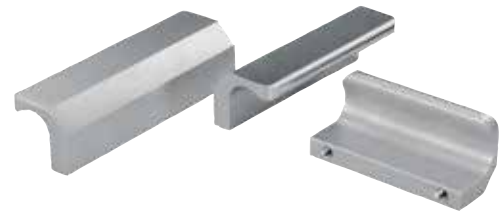
From the front.

### KIPP Tubular handles stainless steel

Order No.	A	B	D	H	L	Load capacity N
K0652.200301	200	48	M8x25	80	225	1000
K0652.250301	250	48	M8x25	80	275	1000
K0652.300301	300	48	M8x25	80	325	1000
K0652.350301	350	48	M8x25	80	375	1000
K0652.400301	400	48	M8x25	80	425	1000
K0652.500301	500	48	M8x25	80	525	1000

## Ledge handles

stainless steel



**Material:**

Profile stainless steel 1.4404.

**Version:**

Abrasive cleaned and matt-gloss electropolished.

**Sample order:**

K0233.06006

**Assembly:**

From the rear.

**On request:**

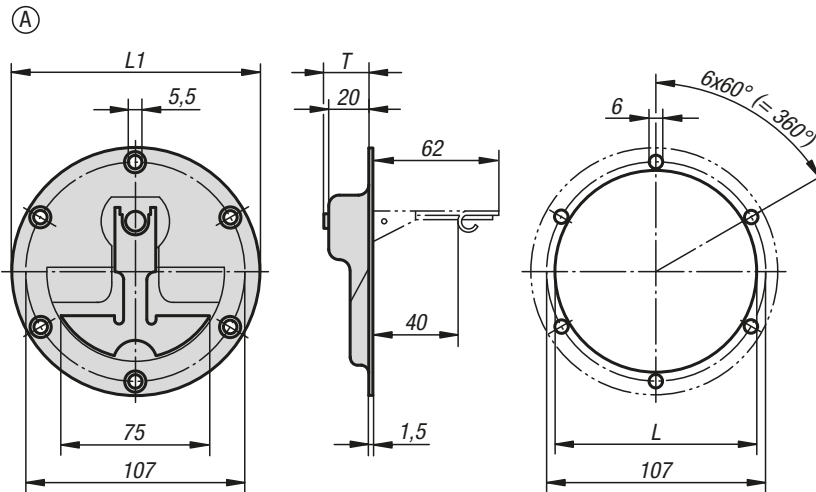
Any other lengths.

### KIPP Ledge handles stainless steel

Order No.	A	D	H	L	T	Load capacity N
K0233.06006	60	M6	35	80	30	1000
K0233.08006	80	M6	35	100	30	1000
K0233.10006	100	M6	35	120	30	1000
K0233.13006	130	M6	35	150	30	1000

## Recessed handles

fold-down stainless steel



**Material:**

Stainless steel 1.4301.

**Version:**

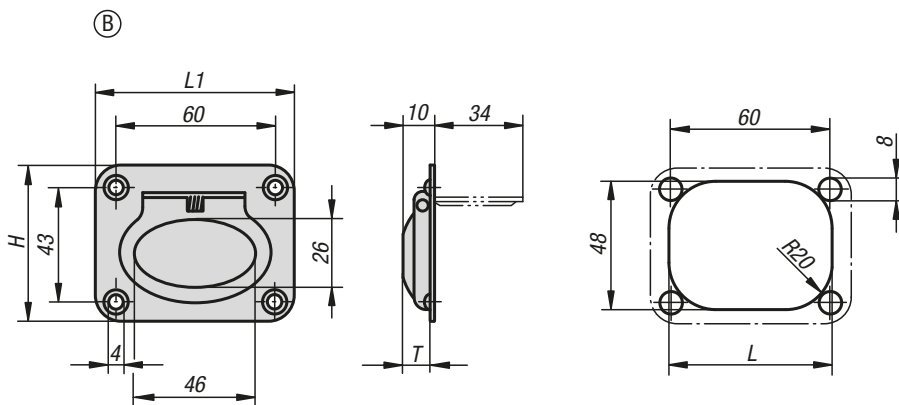
High-gloss electropolished.

**Sample order:**

K0243.1120000

**Note:**

Stainless steel retractable grips with marginal installation depth. For base and mounting plates or drawers. With return spring. The grip automatically swivels back into its resting position after use.

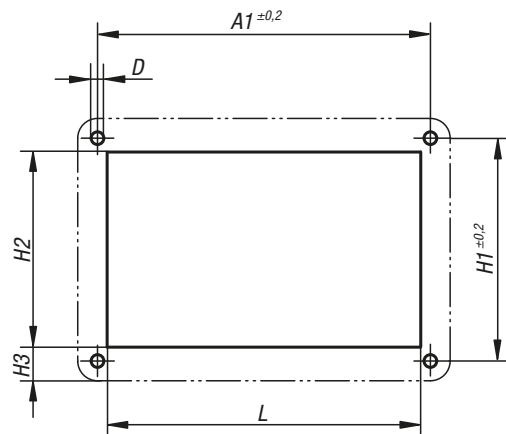
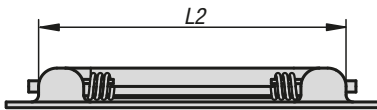
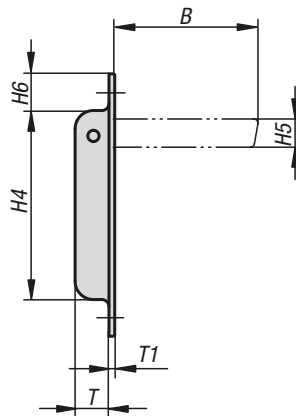
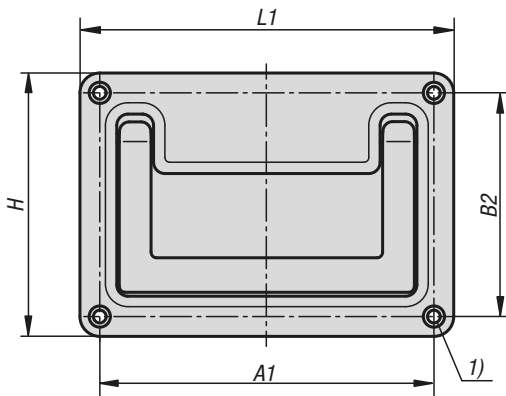


### KIPP Recessed handles fold-down stainless steel

Order No.	Form	Version 2	H	L	L1	T	Load capacity N
K0243.1120000	A	screw on	120	98	120	22	200
K0243.2075058	B	screw on	58	63	75	9	200

## Recessed handles

fold-down stainless steel



**Material:**

Stainless steel 1.4301.

**Version:**

High-gloss electropolished.

**Sample order:**

K1305.132

**Note:**

Stainless steel retractable grips with marginal installation depth. For base and mounting plates or drawers. With return spring. The grip automatically swivels back into its resting position after use.

**Drawing reference:**

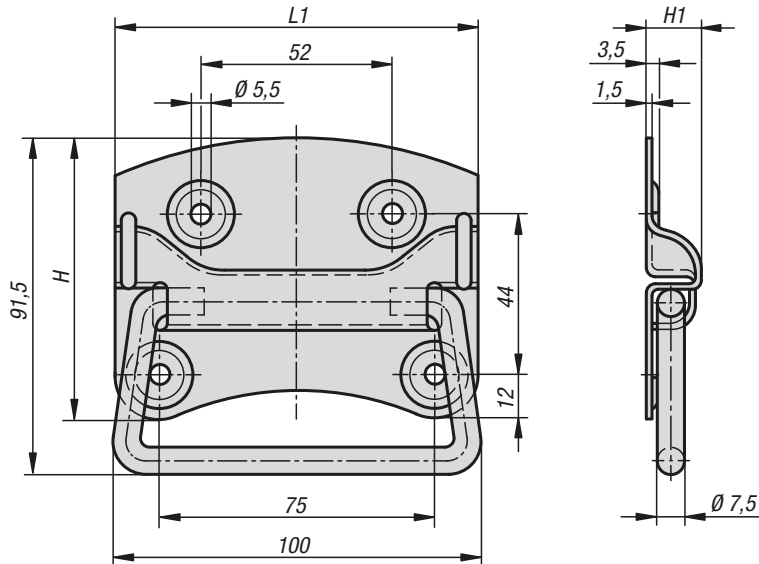
1) for countersunk screws M4

### KIPP Recessed handles fold-down stainless steel

Order No.	A1	B	B2	D	H	H1	H2	H3	H4	H5	H6	L	L1	L2	T	T1
K1305.132	118±0,2	51	79	4,5	93	79±0,2	72	10,5	67	10	13	115	132	109	12	1,5

## Recessed handles, fold down

DIN 3136



**Material:**  
Stainless steel 1.4301.

**Version:**  
Bright.

**Sample order:**  
K1369.100

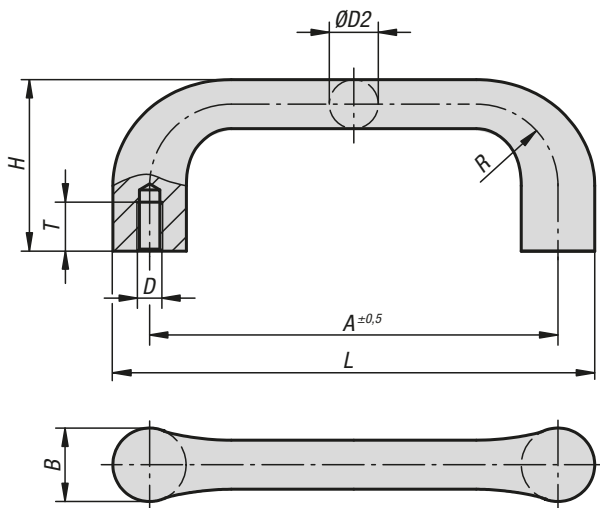
**Applications:**  
Crates, chests, lids.

### KIPP Recessed handles, fold down DIN 3136

Order No.	H	H1	L1	Load capacity N
K1369.100	77	14	100	500



## Pull handles



**Material:**  
GJS 400

**Version:**  
Vibratory ground or black powder-coated.  
End faces machined.

**Sample order:**  
K0186.12510

**Assembly:**  
From the rear.

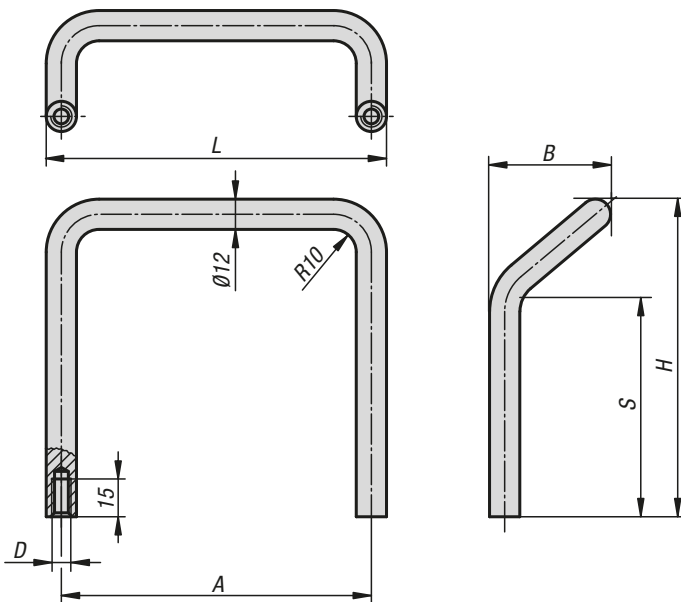
### KIPP Pull handles

Order No. bright	Order No. black	A	B	D	D2	H	L	R	T	Load capacity N
K0186.10006	K0186.100061	100	18	M6	12	42	118	20	12	1000
K0186.11208	K0186.112081	112	20	M8	14	47	132	22	15	1000
K0186.12510	K0186.125101	125	22	M10	16	53	147	24	18	1000
K0186.14012	K0186.140121	140	25	M12	18	59	165	26	20	1000

# K0207

## Pull handles

angled



**Material:**  
Round steel

**Version:**  
Finely ground and high-gloss chrome-plated.

**Sample order:**  
K0207.06008

**Assembly:**  
From the rear.

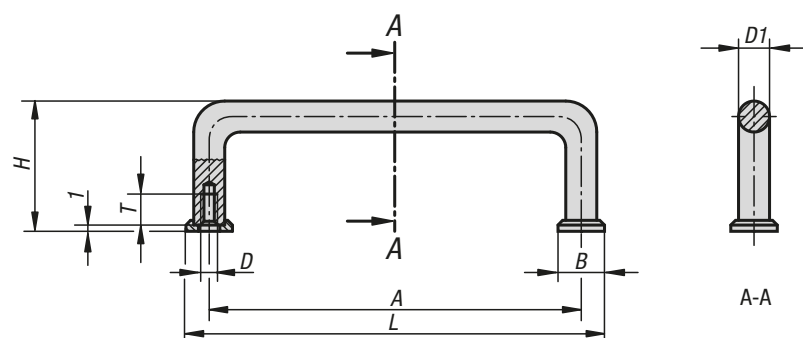
### KIPP Pull handles angled

Order No.	A	B	D	H	L	S	Load capacity N
K0207.06008	120	47	M8	66	132	27	1000
K0207.12008	120	47	M8	126	132	87	1000

## Pull handles

high-gloss chromed

19"



**Material:**  
Steel.

**Version:**  
Disc very finely ground.  
Pull handle high-gloss chromed.

**Sample order:**  
K0214.10204

**Note:**  
These pull handles are used primarily on optical devices, laboratory installations, audio, video and hi-fi equipment, etc. The end washers are supplied loose.

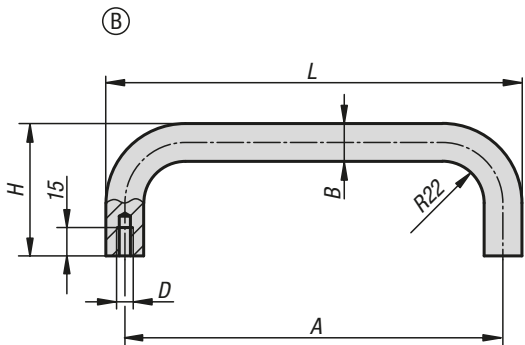
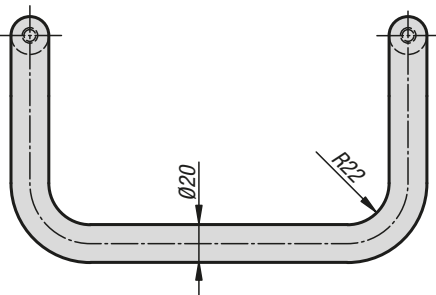
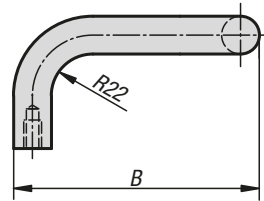
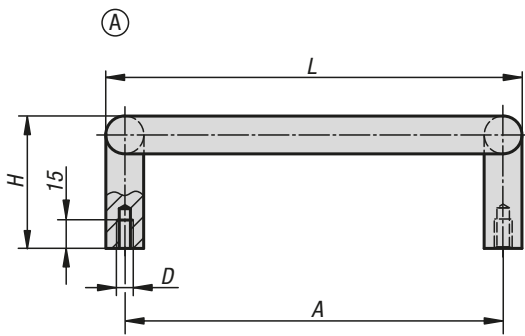
**Assembly:**  
From the rear.

**On request:**  
Other surface finishes.

### KIPP Pull handles high-gloss chromed

Order No.	A	B	D	D1	H	L	T	Load capacity N
K0214.03203	32	8	M3	5	21	40	6	1000
K0214.04203	42	8	M3	5	25	50	6	1000
K0214.05503	55	8	M3	5	25	63	6	1000
K0214.07603	76	8	M3	5	25	84	6	1000
K0214.08803	88	8	M3	5	25	96	6	1000
K0214.03204	32	12,5	M4	8	33	44,5	8	1000
K0214.05504	55	12,5	M4	8	33	67,5	8	1000
K0214.06404	64	12,5	M4	8	33	76,5	8	1000
K0214.08804	88	12,5	M4	8	33	100,5	8	1000
K0214.09604	96	12,5	M4	8	33	108,5	8	1000
K0214.09804	98	12,5	M4	8	33	110,5	8	1000
K0214.10204	102	12,5	M4	8	33	114,5	8	1000
K0214.12004	120	12,5	M4	8	33	132,5	8	1000
K0214.12804	128	12,5	M4	8	33	140,5	8	1000
K0214.13604	136	12,5	M4	8	33	148,5	8	1000
K0214.05505	55	15	M5	10	41	70	10	1000
K0214.08805	88	15	M5	10	41	103	10	1000
K0214.10005	100	15	M5	10	41	115	10	1000
K0214.10205	102	15	M5	10	41	117	10	1000
K0214.11505	115	15	M5	10	41	130	10	1000
K0214.12005	120	15	M5	10	41	135	10	1000
K0214.13605	136	15	M5	10	41	151	10	1000
K0214.18005	180	15	M5	10	41	195	10	1000
K0214.20005	200	15	M5	10	41	215	10	1000
K0214.23505	235	15	M5	10	41	250	10	1000
K0214.25005	250	15	M5	10	41	265	10	1000

## Pull handles



**Material:**  
Round steel

**Version:**  
Ground, brushed and matt-chromed or black powder-coated with fine texture

**Sample order:**  
K0230.20081

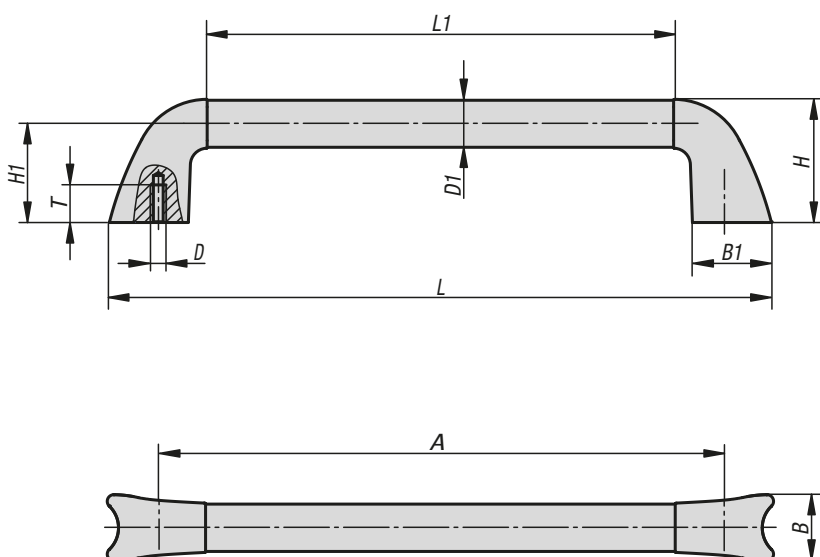
**Note:**  
Available as straight or right-angled handle.

**Assembly:**  
From the rear.

### KIPP Pull handles

Order No.	Form	Main colour	A	B	D	H	L	Load capacity N
K0230.200081	A	matt chromed	200	130	M8	70	220	1000
K0230.350081	A	matt chromed	350	130	M8	70	370	1000
K0230.200082	A	black powder-coated	200	130	M8	70	220	1000
K0230.350082	A	black powder-coated	350	130	M8	70	370	1000
K0230.200083	B	matt chromed	200	20	M8	70	220	1000
K0230.250083	B	matt chromed	250	20	M8	70	270	1000
K0230.300083	B	matt chromed	300	20	M8	70	320	1000
K0230.350083	B	matt chromed	350	20	M8	70	370	1000
K0230.200084	B	black powder-coated	200	20	M8	70	220	1000
K0230.250084	B	black powder-coated	250	20	M8	70	270	1000
K0230.300084	B	black powder-coated	300	20	M8	70	320	1000
K0230.350084	B	black powder-coated	350	20	M8	70	370	1000

## Tubular handles carbon



**Material:**

Grip legs stainless steel 1.4308.  
Tubular grip carbon fibre reinforced plastic (CFP).

**Version:**

Grip legs polished.  
Tubular grip CFP composition, clear varnished.

**Sample order:**

K0781.250251

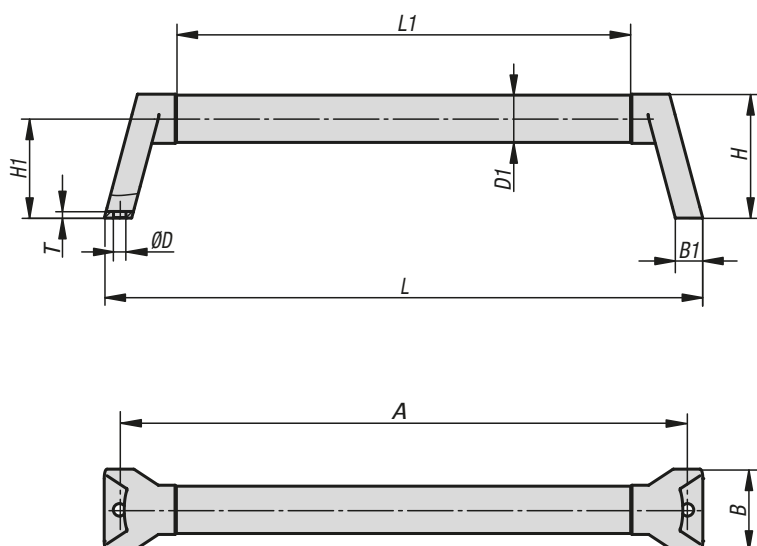
**Note:**

The grip is fastened using stainless steel DIN EN ISO 4762 socket head screws.

### KIPP Tubular handles carbon

Order No.	A	B	B1	D	D1	H	H1	L	L1	T	Load capacity N
K0781.250251	250	34,8	41,6	M6	25	64	51	301	198	20	1000
K0781.300251	300	34,8	41,6	M6	25	64	51	351	248	20	1000
K0781.350251	350	34,8	41,6	M6	25	64	51	401	298	20	1000
K0781.350351	350	47,7	55	M6	35	84	66	424	286	20	1000
K0781.400351	400	47,7	55	M6	35	84	66	474	336	20	1000
K0781.450351	450	47,7	55	M6	35	84	66	524	386	20	1000

## Tubular handles carbon



**Material:**

Grip legs stainless steel 1.4308.  
Tubular grip carbon fibre reinforced plastic (CFP).

**Version:**

Grip legs polished.  
Tubular grip CFP composition, clear varnished.

**Sample order:**

K0782.250251

**Note:**

The grip is fastened using stainless steel DIN EN ISO 4017 hexagon head screws.

### KIPP Tubular handles carbon

Order No.	A	B	B1	D	D1	H	H1	L	L1	T	Load capacity N
K0782.250251	250	43	14,5	6,6	25	65,5	52,5	266	190	3,5	1000
K0782.300251	300	43	14,5	6,6	25	65,5	52,5	316	240	3,5	1000
K0782.350251	350	43	14,5	6,6	25	65,5	52,5	366	290	3,5	1000
K0782.350351	350	57,7	18,6	6,6	35	85,5	67,5	371	270	4,5	1000
K0782.400351	400	57,7	18,6	6,6	35	85,5	67,5	421	320	4,5	1000
K0782.450351	450	57,7	18,6	6,6	35	85,5	67,5	471	370	4,5	1000