

## Swivel and fixed castors welded steel heavy-duty version

### Item description/product images



### Description

**Material:**

Housing solid welded steel construction.

Wheels with welded steel body and Extrathane® tread.

**Version:**

The housing is a rugged welded steel construction.

Swivel castor housing with DIN 711 axial groove ball bearing and DIN 720 tapered roller bearing in the swivel head. Dust and splash-proof, with grease nipple.

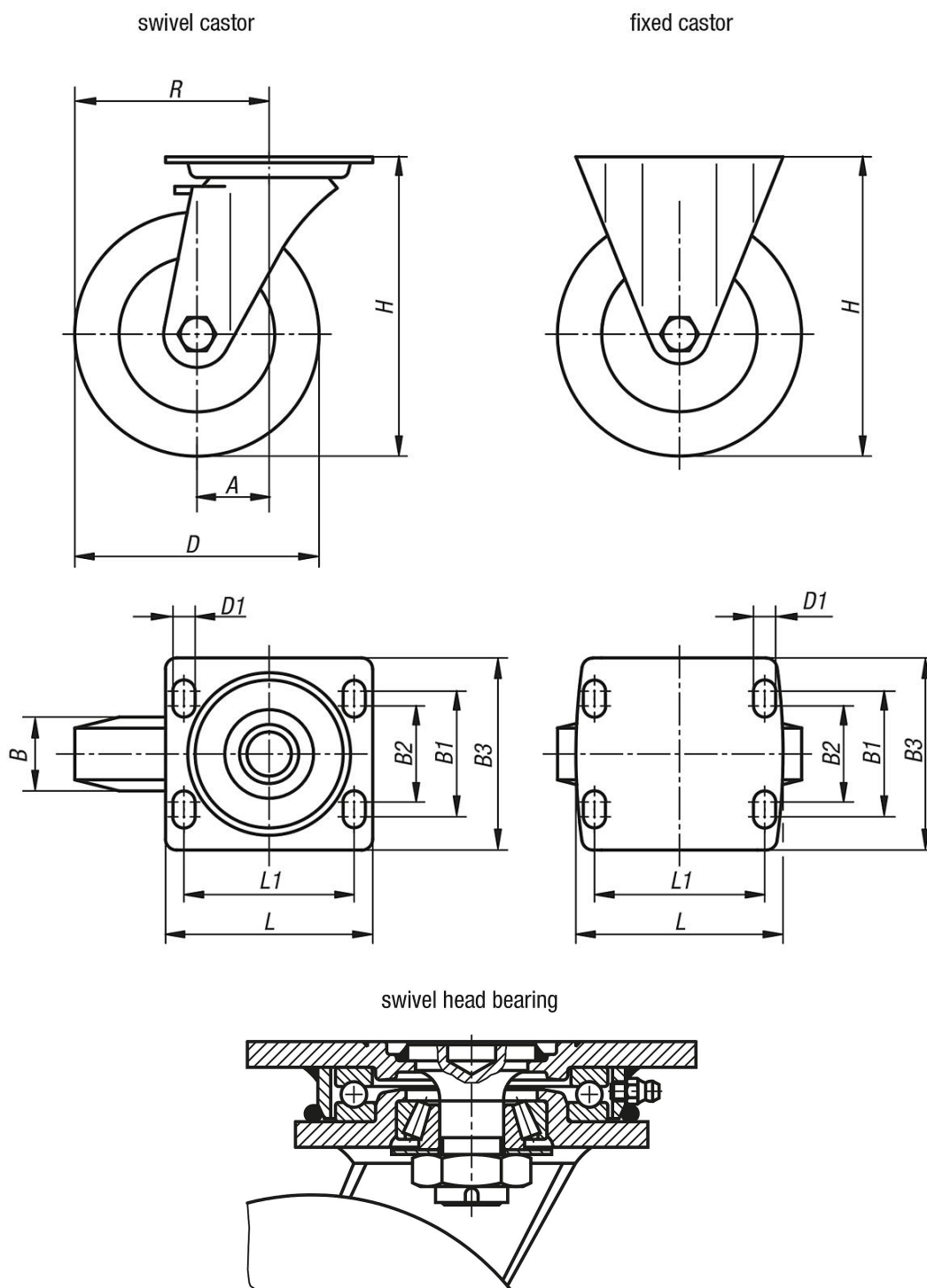
Precision ball bearings in the wheels.

**Note:**

Centre pin welded in, bolted and secured. Wheel axle bolted.

# Swivel and fixed castors welded steel heavy-duty version

## Drawings



## Overview of items

### Swivel and fixed castors welded steel heavy-duty version

Order No.	Item	Version 1	Wheel bearing	A	B	B1	B2	B3	D	D1	H	L	L1	R	Permissible load kg
K1769.160501	Fixed castor	without locking system	ball bearing	-	50	80	75	110	160	11	205	140	105	-	700
K1769.200501	Fixed castor	without locking system	ball bearing	-	50	80	75	110	200	11	245	140	105	-	1000

## Swivel and fixed castors welded steel heavy-duty version

### Overview of items

Order No.	Item	Version 1	Wheel bearing	A	B	B1	B2	B3	D	D1	H	L	L1	R	Permissible load kg
<b>K1769.250601</b>	Fixed castor	without locking system	ball bearing	-	60	105	-	140	250	14	305	175	140	-	1350
<b>K1769.16050</b>	Swivel castor	without locking system	ball bearing	55	50	80	75	110	160	11	205	140	105	135	700
<b>K1769.20050</b>	Swivel castor	without locking system	ball bearing	60	50	80	75	110	200	11	245	140	105	160	1000
<b>K1769.25060</b>	Swivel castor	without locking system	ball bearing	75	60	105	-	140	250	14	305	175	140	200	1350
<b>K1769.160502</b>	Swivel castor	with stop-top locking system	ball bearing	55	50	80	75	110	160	11	205	140	105	135	700
<b>K1769.200502</b>	Swivel castor	with stop-top locking system	ball bearing	60	50	80	75	110	200	11	245	140	105	160	1000
<b>K1769.250602</b>	Swivel castor	with stop-top locking system	ball bearing	75	60	105	-	140	250	14	305	175	140	200	1350