

Prisms, steel, for chain clamp sets

Item description/product images



Description

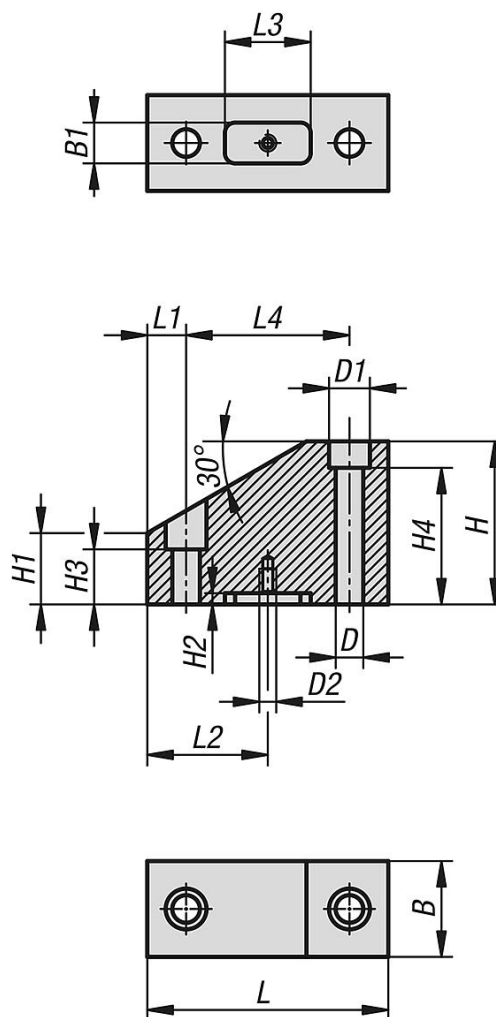
Material:
Carbon steel.

Version:
Black oxidised.

Note:
Prisms for chain clamp sets enable flexible positioning of the workpiece. The prisms can be fastened to the machine table using T-slot nuts.

Accessory:
Nuts for T-slots DIN 508 enhanced, K0377.

Drawings



Prisms, steel, for chain clamp sets

Overview of items

Prisms, steel, for chain clamp sets

Order No.	B	B1	D	D1	D2	H	H1	H2	H3	H4	L	L1	L2	L3	L4
K1662.11847080	47	20	13,5	20	M6	80	35	5,5	27	67	118	19	59	42	80
K1662.14847100	47	20	17,5	26	M6	100	44	5,5	33	33	148	24	74	44	100