

## Mini toggle clamps, horizontal with flat foot and fixed clamping spindle

### Item description/product images

---



### Description

**Material:**

Steel or stainless steel.

**Version:**

Electro zinc-plated steel.

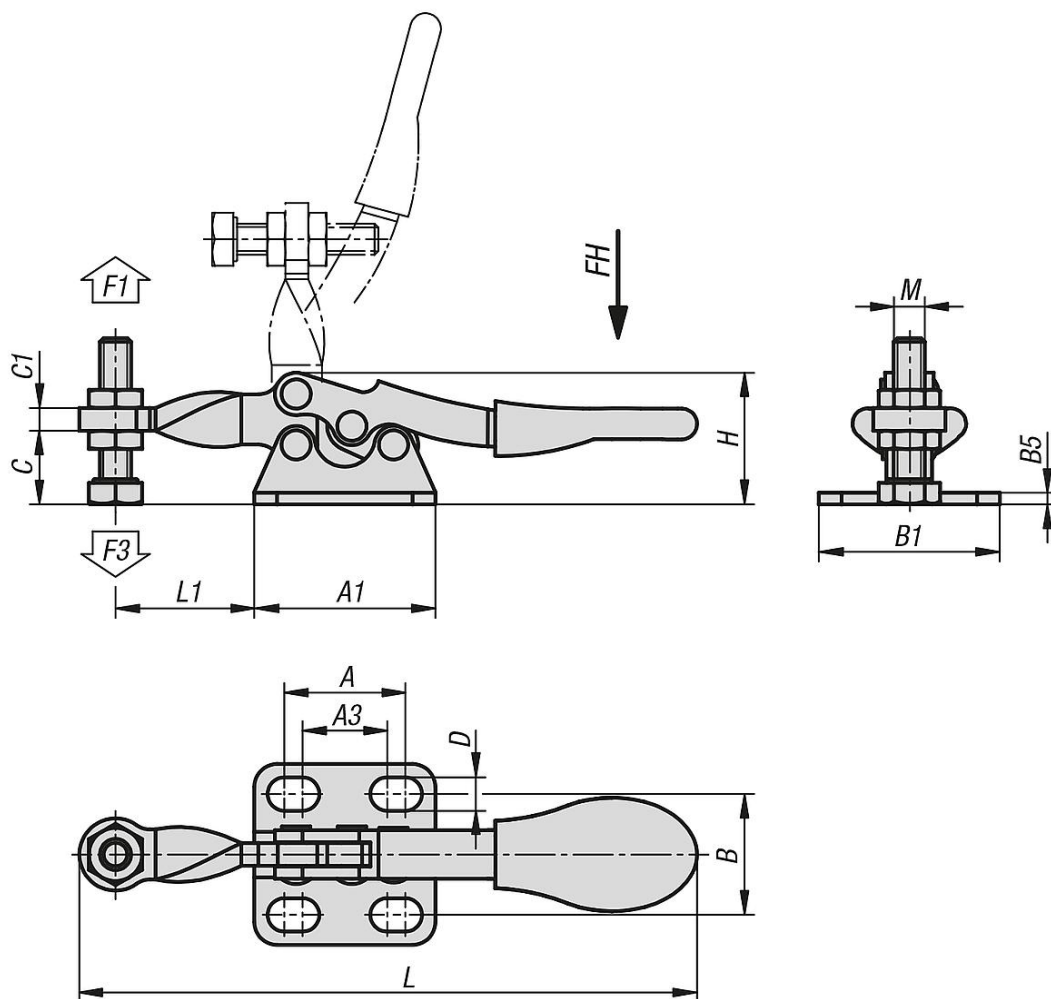
Bright stainless steel.

Plastic handle, oil-resistant.



## Mini toggle clamps, horizontal with flat foot and fixed clamping spindle

### Drawings



### Overview of items

#### Mini toggle clamps, horizontal with flat foot and fixed clamping spindle

Order No.	Main material	Opening angle of holding arm	Opening angle of handle	Hand force FH N	Retaining force F1 N	Clamping force F3 N
K1541.00500	steel	90°	75°	80	500	250
K1541.10500	stainless steel	90°	75°	80	500	250

Order No.	Main material	A	A1	A3	B	B1	B5	C	C1	D	H	L	L1	M
K1541.00500	steel	15,9	23,8	11,1	15,9	23,8	1,5	9,7	3	4,4	17,3	81,2	18,3	M4x20
K1541.10500	stainless steel	15,9	23,8	11,1	15,9	23,8	1,5	9,7	3	4,4	17,3	81,2	18,3	M4x20