

Toggle clamps latch horizontal with catch plate, Form B

Item description/product images



Description

Material:

Steel or stainless steel.

Version:

Electro zinc-plated steel.

Bright stainless steel.

Plastic handle, oil-resistant.

Note:

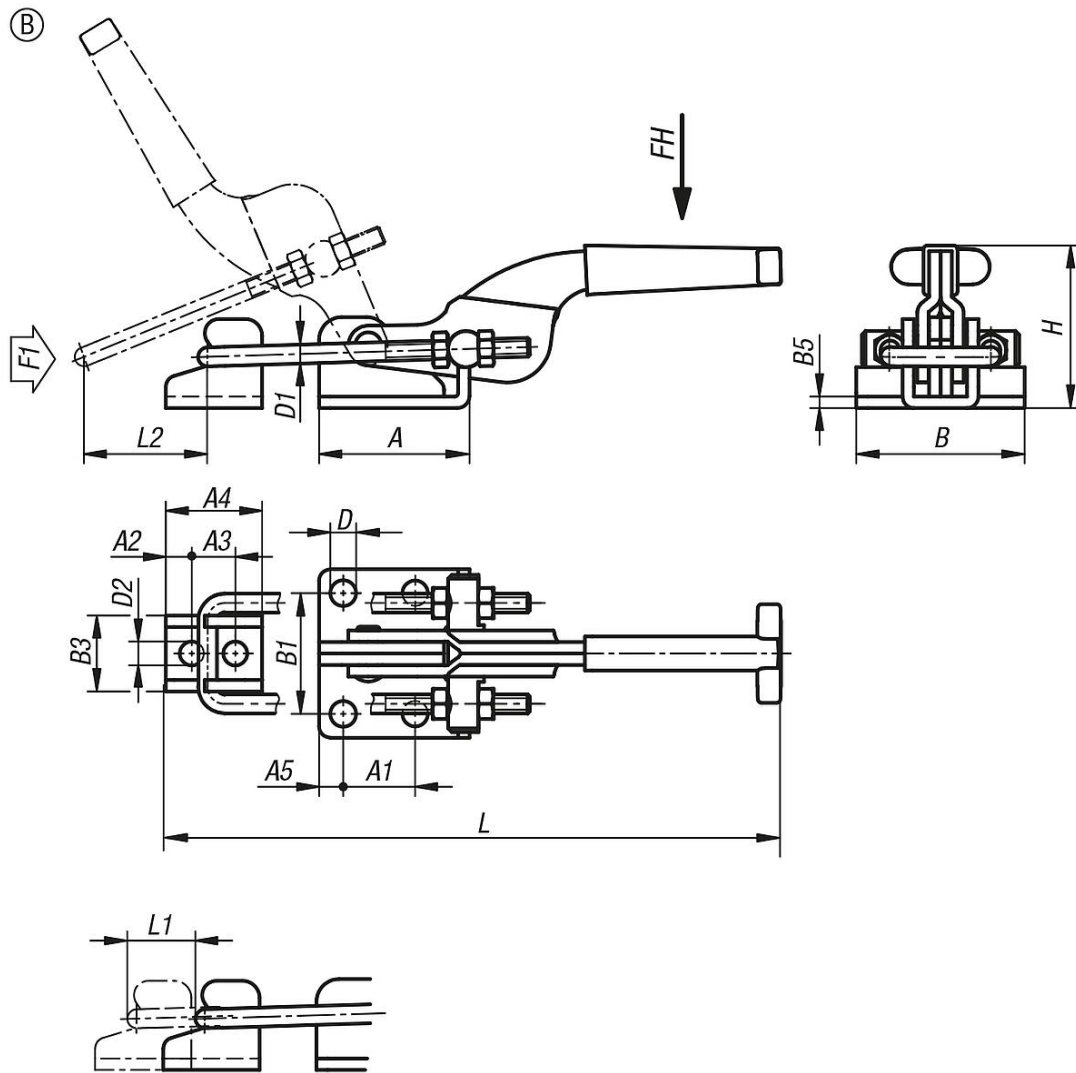
Latch toggle clamps are especially suitable for quickly closing and locking covers and hatches.

The travel can be set by altering the hasp length.



Toggle clamps latch horizontal with catch plate, Form B

Drawings



Overview of items

Order No.	Form	Main material	Hand force FH N	Traction force F1 N	A	A1	A2	A3	A4	A5	B	B1	B3	B5	D	D1	D2	Travel path L min.	Travel path L max.	H	L1	Clamping travel L2
K1261.03000	B	steel	150	3000	39,7	19	6,8	11,5	25,4	6,4	44,4	31,8	20	3	6,7	5	6,3	148,7	170,3	42	21,6	45
K1261.07000	B	steel	200	7000	60,3	41,3	9,5	19,1	38,1	9,5	54	38,1	30,2	4	8,6	8	8,5	209,1	232,8	76,1	23,7	75
K1261.13000	B	stainless steel	150	3000	39,7	19	6,8	11,5	25,4	6,4	44,4	31,8	20	3	6,7	5	6,3	148,7	170,3	42	21,6	45
K1261.17000	B	stainless steel	200	7000	60,3	41,3	9,5	19,1	38,1	9,5	54	38,1	30,2	4	8,6	8	8,5	209,1	232,8	76,1	23,7	75