

Locating bushes, stainless steel Form B (screwed down from front)

Item description/product images



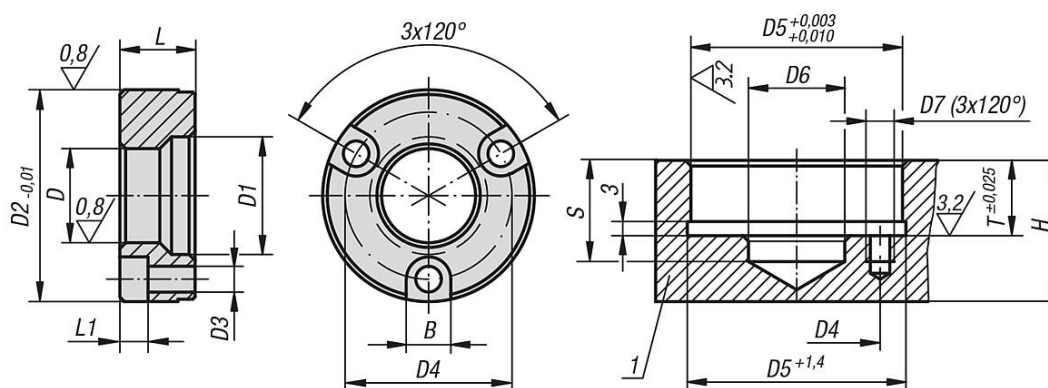
Description

Material:
Stainless steel 1.4548.

Version:
Hardened to min. 40 HRC, bright.

Note:
Fastening screws included.

Drawings



Overview of items

Receiver bushes stainless steel Form B (screwed down from front)

Order No.	D	D1	D2	D3	D4	L	L1	B	D5	D6	D7	S	T	Min. grid plate thickness H
K1477.13	13	17,3	34,99	4,4	25	11,56	4,5	7,6	35	13,5	M4x7	20	11,91	20
K1477.16	16	20,7	36,99	4,4	29	11,56	4,5	7,6	37	21	M4x7	20	11,91	20
K1477.20	20	24,8	44,99	5,4	35	15,82	6	9,5	45	21	M5x9	25	16,21	25
K1477.25	25	30,4	54,99	6,4	42	19,94	7	11	55	25,5	M6x10	25	20,32	25
K1477.30	30	36,2	59,99	6,4	48	21,77	7	11	60	30,5	M6x11	30	22,15	30

Locating bushes, stainless steel Form B (screwed down from front)

Overview of items

Order No.	D	D1	D2	D3	D4	L	L1	B	D5	D6	D7	S	T	Min. grid plate thickness H
K1477.35	35	41,3	69,99	8,4	56	22,61	9	14	70	40	M8x17	32	22,99	32
K1477.50	50	58,4	91,99	10,4	75	31,12	11	17	92	55	M10x18	45	31,5	45