

Locating bushes, stainless steel Form A (pressed in from rear)

Item description/product images



Description

Material:

Stainless steel 1.4548.

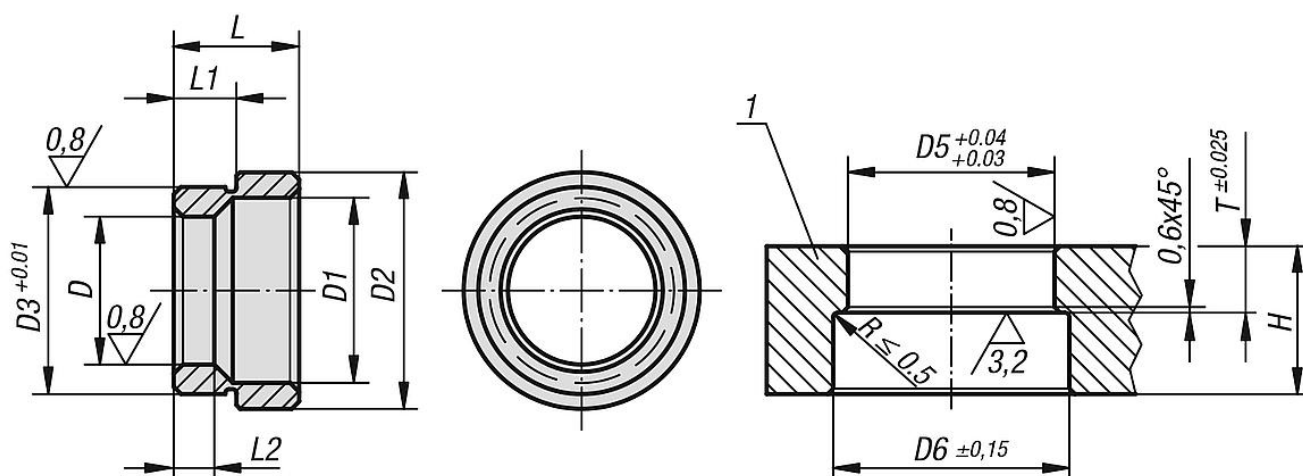
Version:

Hardened to min. 40 HRC, bright.

Drawing reference:

1) grid plate

Drawings



Overview of items

Locating bushes stainless steel Form A (pressed in from rear)

Order No.	D	D1	D2	D3	L	L1	L2	D5	D6	T	Min. grid plate thickness H
K1476.13	13	17,3	25	20,03	12,1	6,6	5,58	20	26	6,92	20
K1476.16	16	20,7	28,6	22,03	12,1	6,9	6,6	22	29	7,24	20
K1476.20	20	24,8	32,2	28,03	17,1	8,42	8,13	28	33	8,74	25
K1476.25	25	30,4	40,2	35,03	21	10,22	10,16	35	41	10,54	25
K1476.30	30	36,2	48,2	42,03	21,8	10,63	11,18	42	49	10,95	30
K1476.35	35	41,3	54,2	48,03	25,1	12,18	14,78	48	55	12,5	32
K1476.50	50	58,4	75,2	67,03	31,1	15,43	18,67	67	76	15,75	45

