

Spring plungers with hexagon socket and flattened POM thrust pin, stainless steel

Item description/product images



Description

Material:

Sleeve 1.4305.
Thrust pin POM.
Spring 1.4310.

Version:

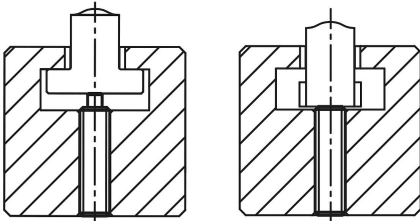
Bright.

Note:

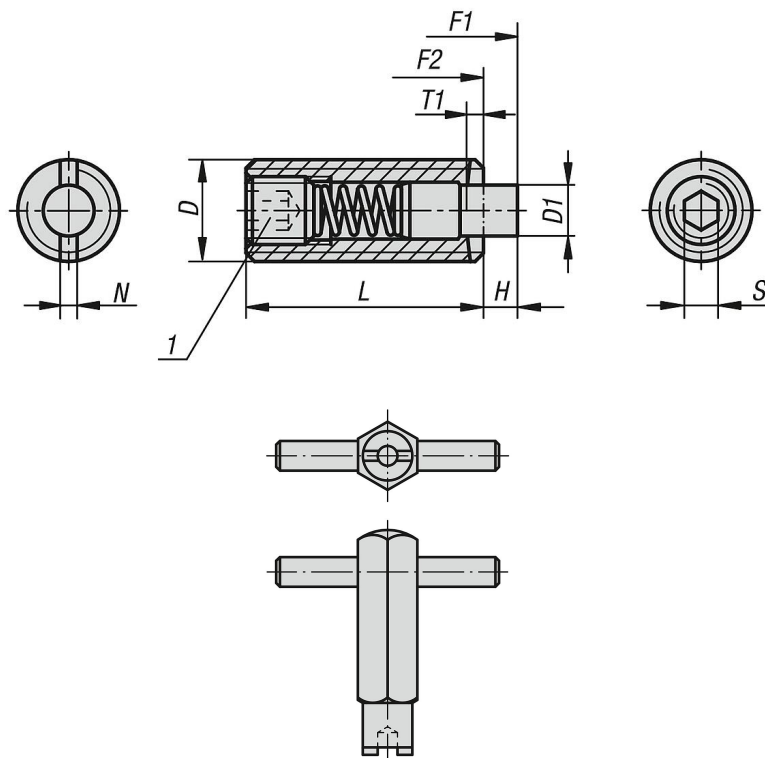
These spring plungers are chiefly used as ejectors and spring stops in machine construction.
The thrust pin is actuated in the axial direction.

Drawing reference:

1) grub screw glued in



Drawings



Overview of items

Spring plungers with hexagon socket and flattened POM thrust pin, stainless steel

Overview of items

Spring plungers with hexagon socket and flattened thrust pin, standard spring force

Order No.	D	D1	H	L	T1	N	S	Spring force initial pressure F1 approx. N	Spring force final pressure F2 approx. N	Order No. Assembly key
K1381.05	M5	2,4	2,3	18	0,8	0,8	1,5	5	17	K0317.905
K1381.06	M6	2,7	2,5	20	1	1	2	6	17	K0317.906
K1381.08	M8	3,5	3	22	1,4	1,2	2,5	7	29	K0317.908
K1381.10	M10	4	3	22	1,4	1,6	3	8	31	K0317.910
K1381.12	M12	6	4	28	2	2	4	10	47	K0317.912
K1381.16	M16	7,5	5	32	2,5	2,5	5	38	85	K0317.916