

## Locking washers for clamping spindles

### Item description/product images



### Description

**Material:**

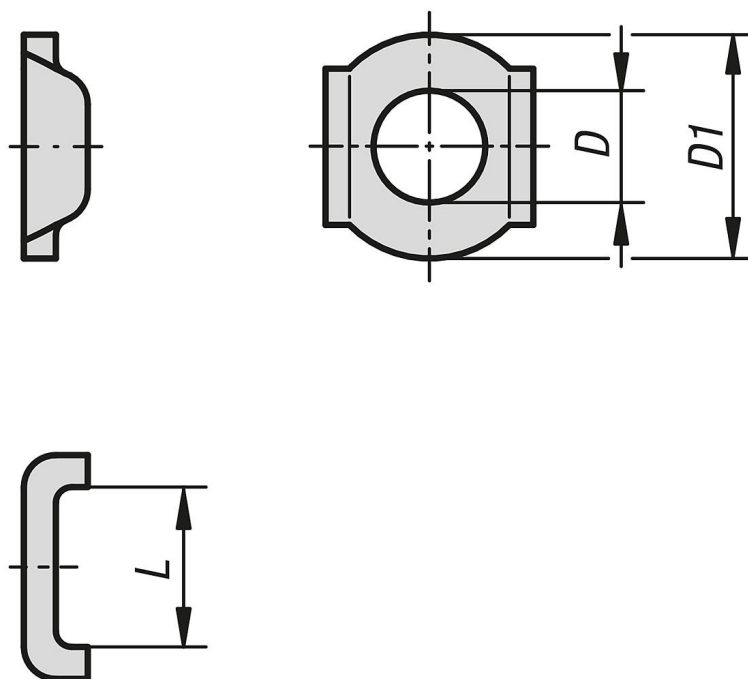
Steel or stainless steel 1.4301.

**Version:**

Steel electro zinc-plated.

Stainless steel bright.

### Drawings



### Overview of items

#### Locking washers for clamping spindles

Order No.	Main material	D through hole for	D1	L
K1441.0041	steel	M4	12,7	8,7
K1441.0051	steel	M5	12,6	9,7
K1441.0061	steel	M6	14	12
K1441.0062	steel	M6	15	13,5
K1441.0081	steel	M8	22	15,5
K1441.0101	steel	M10	25	19
K1441.0121	steel	M12	33	24
K1441.0161	steel	M16	35	27
K1441.1041	stainless steel	M4	12,7	8,7
K1441.1051	stainless steel	M5	12,6	9,7
K1441.1061	stainless steel	M6	14	12
K1441.1062	stainless steel	M6	15	13,5

## Locking washers for clamping spindles

### Overview of items

Order No.	Main material	D through hole for	D1	L
K1441.1081	stainless steel	M8	22	15,5
K1441.1101	stainless steel	M10	25	19