

Toggle clamps push-pull without mounting bracket

Item description/product images



Description

Material:

Steel.

Version:

Trivalent passivated.

Connecting rod, guide body and thrust screw phosphated.

Plastic grip oil-resistant.

Note:

As the push-pull toggle clamps lock in open and closed handle positions, they can be used to clamp when pushing or pulling.

The fastening nut supplied allows the clamps to be mounted in any desired position.

Accessory:

K0101

K1442

K0102

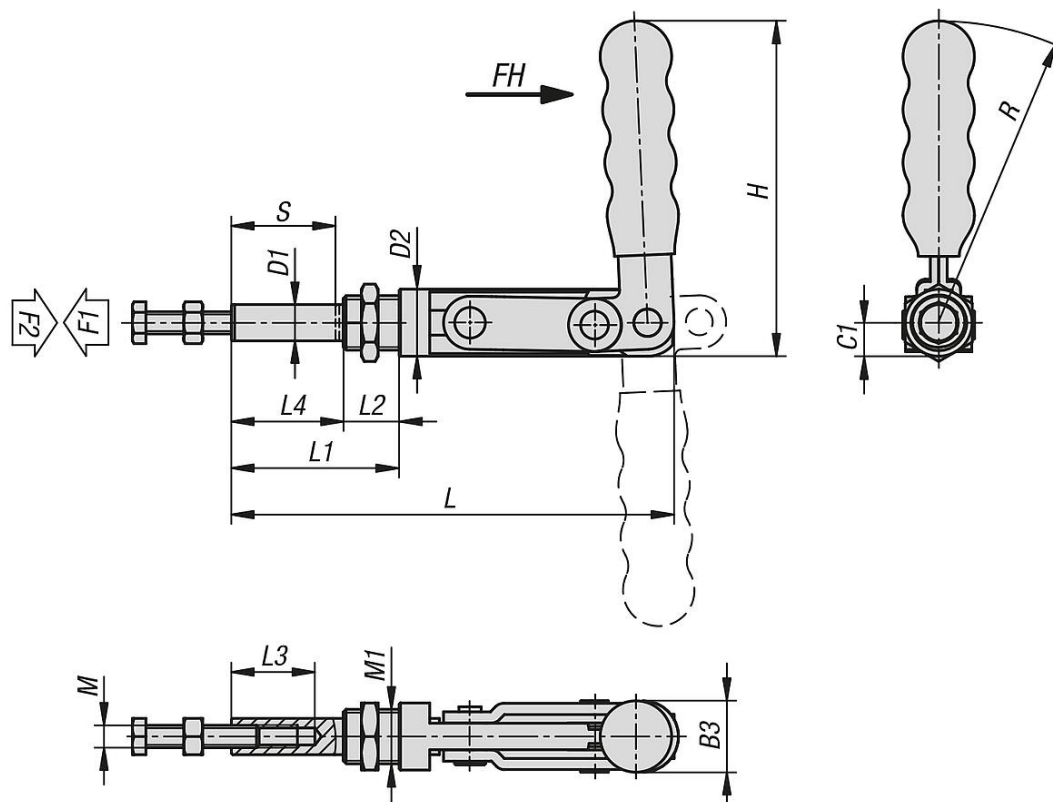
K0103

K1443

K0106

Toggle clamps push-pull without mounting bracket

Drawings



Overview of items

Toggle clamps push-pull without mounting bracket

Order No.	Opening angle of handle	Hand force FH N	Clamping force F1 N	Retaining force F2 N
K1440.03500	185°	100	1400	3500
K1440.05500	185°	140	1500	5500
K1440.07500	185°	160	1600	7500

Order No.	B3	C1	D1	D2	H	L	L1	L2	L3	L4	M	M1	R	Travel S
K1440.03500	24	9,5	10	19	104,5	126,4	52	16	18	36	M6x25	M16x1,5	95	31
K1440.05500	25,6	12	13	24	120,5	158,5	60	20	30	40	M8x40	M20x1,5	108,5	38
K1440.07500	29	14,3	16	28,6	146,3	234,9	92,8	23	40	69,8	M10x50	M24x1,5	132	67