

Toggle clamps vertical with flat foot and adjustable clamping spindle

Item description/product images



Description

Material:

Steel or stainless steel.

Version:

Electro zinc-plated steel.

Bright stainless steel.

Plastic handle, oil-resistant.

Note:

A neoprene thrust pad is supplied with versions K1255.001000, K1255.101000, K1255.001800, K1255.010001, K1255.001600, K1255.101600, K1255.002400 and K1255.004000.

Accessory:

K0688

K0689

K0690

K0101

K1442

K0102

K0103

K1443

K0104

K0106

K1441

K1431

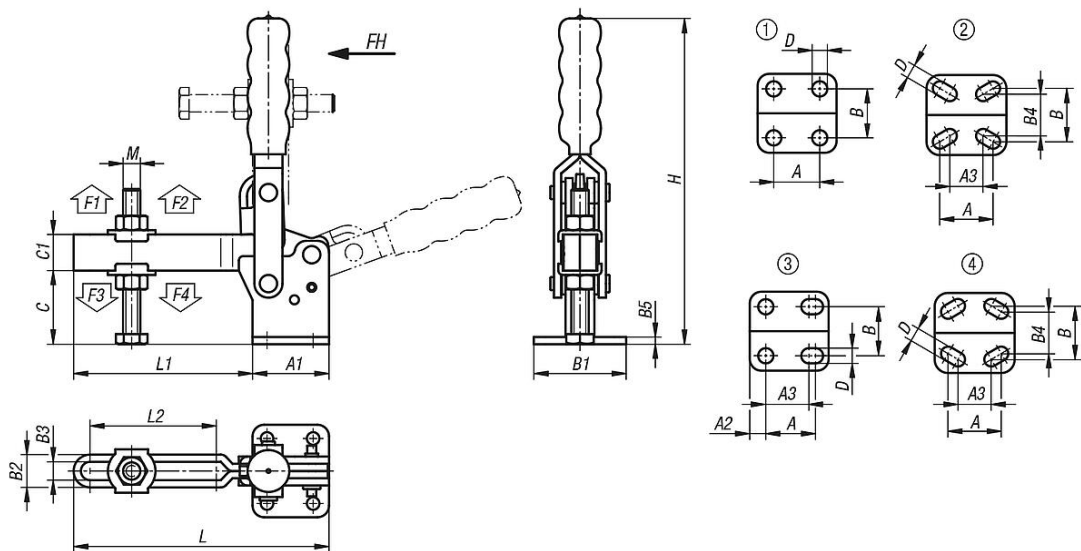
K1255

Toggle clamps vertical with flat foot and adjustable clamping spindle

Item description/product images



Drawings



Overview of items

Toggle clamps vertical with flat foot and adjustable clamping spindle

Order No.	Main material	hole arrangement	Opening angle of holding arm	Opening angle of handle	Hand force FH N	Retaining force F1 N	Retaining force F2 N	Clamping force F3 N	Clamping force F4 N
K1255.001000	steel	1	120°	85°	50	700	1000	500	700
K1255.001800	steel	1	95°	60°	100	800	1800	600	1200
K1255.010001	steel	2	96°	69°	50	700	1000	500	800
K1255.001600	steel	1	95°	75°	100	1200	1600	800	1000

Toggle clamps vertical with flat foot and adjustable clamping spindle

Overview of items

Order No.	Main material	hole arrangement	Opening angle of holding arm	Opening angle of handle	Hand force FH N	Retaining force F1 N	Retaining force F2 N	Clamping force F3 N	Clamping force F4 N
K1255.002000	steel	4	108°	70°	100	1000	2000	900	1200
K1255.002400	steel	1	100°	56°	150	1200	2400	800	1600
K1255.002600	steel	1	90°	70°	150	1000	2600	800	1600
K1255.004000	steel	1	112°	61°	250	2000	4000	1400	3000
K1255.040001	steel	1	90°	70°	250	2000	4000	1400	3000
K1255.007000	steel	1	90°	70°	250	3200	7000	1400	3000
K1255.003600	steel	3	106°	67°	100	1800	3600	900	1800
K1255.008000	steel	1	100°	50°	280	3000	8000	1800	3900
K1255.101000	stainless steel	1	120°	85°	50	700	1000	500	700
K1255.101800	stainless steel	1	95°	60°	100	800	1800	600	1200
K1255.101600	stainless steel	1	95°	75°	100	1200	1600	800	1000
K1255.102600	stainless steel	1	90°	70°	150	1000	2600	800	1600
K1255.102400	stainless steel	1	100°	56°	150	1200	2400	800	1600
K1255.104000	stainless steel	1	112°	61°	250	2000	4000	1400	3000

Order No.	Main material	A	A1	A2	A3	B	B1	B2	B3	B4	B5	C	C1	D	H	L	L1	L2	M
K1255.001000	steel	16	26	-	-	24	34	9,5	5,5	-	2	16	9	4,4	88	57	31	16,6	M5x35
K1255.001800	steel	12,7	25,4	-	-	27	39,7	13	7	-	3	22,7	9,5	5,2	104	64,7	33,7	19,9	M6x44
K1255.010001	steel	16	29	-	14	24	34	10	5	17,5	2,5	22	10	4,8	97	67	38	27,9	M5x35
K1255.001600	steel	12,7	27	-	-	26,8	37,8	12,2	6,2	-	3	23	11	5,2	125	70	43	24,9	M6x50
K1255.002000	steel	19	35	-	12,7	27	42	11	6	25	3	29	13	5,5	135	79	44	32,9	M6x50
K1255.002400	steel	19	34,9	-	-	31,8	46	14,3	8,3	-	3	31,8	16	7,2	141	117,2	73,2	49,4	M8x63
K1255.002600	steel	19	35	-	-	32	47	14,9	8,9	-	3	32	17,5	7,1	178	110,2	75,2	50,1	M8x60
K1255.004000	steel	31,8	49,2	-	-	45,3	64,3	19	11	-	3	44	19	8,7	206	139,5	90,3	63,5	M10x85
K1255.040001	steel	32	50	-	-	45	64	18,6	10,6	-	4	42	22	8,3	220,4	142,8	92,8	62,2	M10x80
K1255.007000	steel	32	53	-	-	45	64	22,7	12,7	-	5	51	25	8,7	226	177	124	90	M12x100
K1255.003600	steel	25	43	9	19	33,7	51,2	14,8	8,8	-	3	35	19	8	197	143	100	70	M8x60
K1255.008000	steel	50,8	76,2	-	-	69,8	95,2	26,5	16,5	-	8	82,1	31,8	12,3	303	229,2	153	105	M16x150
K1255.101000	stainless steel	16	26	-	-	24	34	9,5	5,5	-	2	16	9	4,4	88	57	31	16,6	M5x35
K1255.101800	stainless steel	12,7	25,4	-	-	27	39,7	13	7	-	3	22,7	9,5	5,2	104	64,7	33,7	19,9	M6x40
K1255.101600	stainless steel	12,7	27	-	-	26,8	37,8	12,2	6,2	-	3	23	11	5,2	125	70	43	24,9	M6x50
K1255.102600	stainless steel	19	35	-	-	32	47	14,9	8,9	-	3	32	17,5	7,1	178	110,2	75,2	50,1	M8x60
K1255.102400	stainless steel	19	34,9	-	-	31,8	46	14,3	8,3	-	3	31,8	16	7,2	141	117,2	73,2	49,4	M8x60
K1255.104000	stainless steel	31,8	49,2	-	-	45,3	64,3	19	11	-	3	44	19	8,7	206	139,5	90,3	63,5	M10x80