

Toggle clamps vertical heavy-duty with fixed clamping spindle

Item description/product images

Description

Material:

Steel.

Version:

Steel, hardened and passivated.

Plastic handle, oil-resistant.

Accessory:

K0688

K0689

K1442

K0102

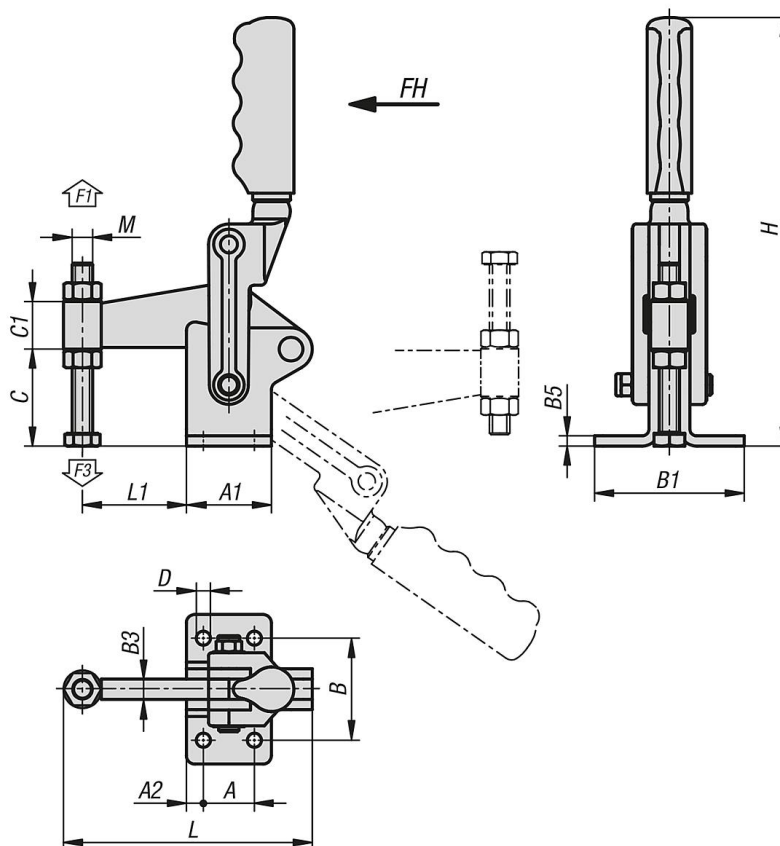
K0103

K0106



Toggle clamps vertical heavy-duty with fixed clamping spindle

Drawings



Overview of items

Toggle clamps vertical heavy-duty with fixed clamping spindle

Order No.	Opening angle of holding arm	Opening angle of handle	Hand force FH N	Retaining force F1 N	Clamping force F3 N
K1253.06000	180°	120°	300	6000	1200
K1253.012000	180°	125°	500	12000	1400
K1253.014000	195°	130°	500	14000	1850

Order No.	A	A1	A2	B	B1	B3	B5	C	C1	D	H	L	L1	M
K1253.06000	25	45	10	50	67	10	5	48	30	8,3	221	127,2	51,1	M12x100
K1253.012000	30	50	10	60	88	12	6	58	30	8,3	252	146,2	61,1	M12x100
K1253.014000	40	63	12	75	105	16	8	75	38	10,3	295	185,25	75	M16x150