

Toggle clamps vertical heavy-duty with fixed clamping spindle

Item description/product images

Description

Material:

Steel.

Version:

Steel, hardened and passivated.

Plastic handle, oil-resistant.

Note:

spindle bracket weldable.

Accessory:

K1442

K0102

K0103

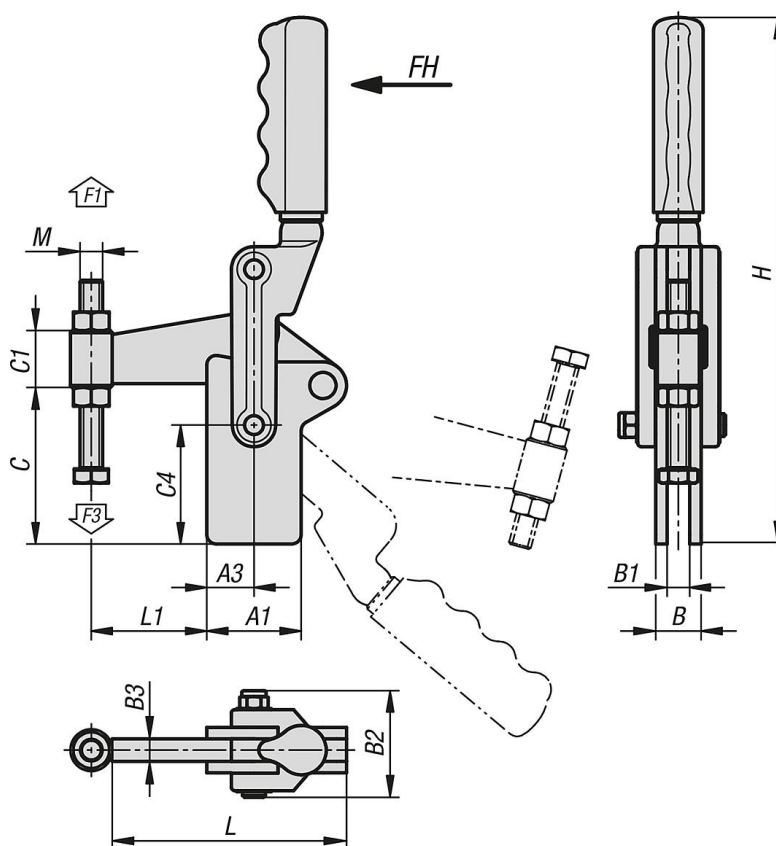
K1443

K0106



Toggle clamps vertical heavy-duty with fixed clamping spindle

Drawings



Overview of items

Toggle clamps vertical heavy-duty with fixed clamping spindle

Order No.	Opening angle of holding arm	Opening angle of handle	Hand force FH N	Retaining force F1 N	Clamping force F3 N
K1250.007000	205°	130°	300	7000	1400
K1250.012000	195°	130°	500	12000	1400
K1250.014000	195°	130°	500	14000	1850

Order No.	A1	A3	B	B1	B2	B3	C	C1	C4	H	L	L1	M
K1250.007000	45	25	20	10	49,5	10	70	30	50	243	105	51,1	M12x100
K1250.012000	50	25	24	12	56,5	12	85	30	63	279	124	61,1	M12x100
K1250.014000	63	40	32	16	67,5	16	108	38	78	325	158	75	M16x150