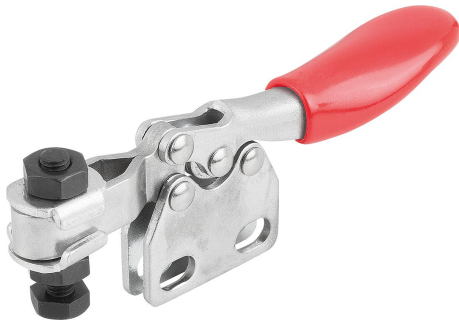


## Toggle clamp mini, horizontal with straight foot and adjustable clamping spindle

Item description/product images



### Description

**Material:**

Steel.

**Version:**

Electro zinc-plated steel.

Plastic handle, oil-resistant.

**Accessory:**

K0101

K1442

K0103

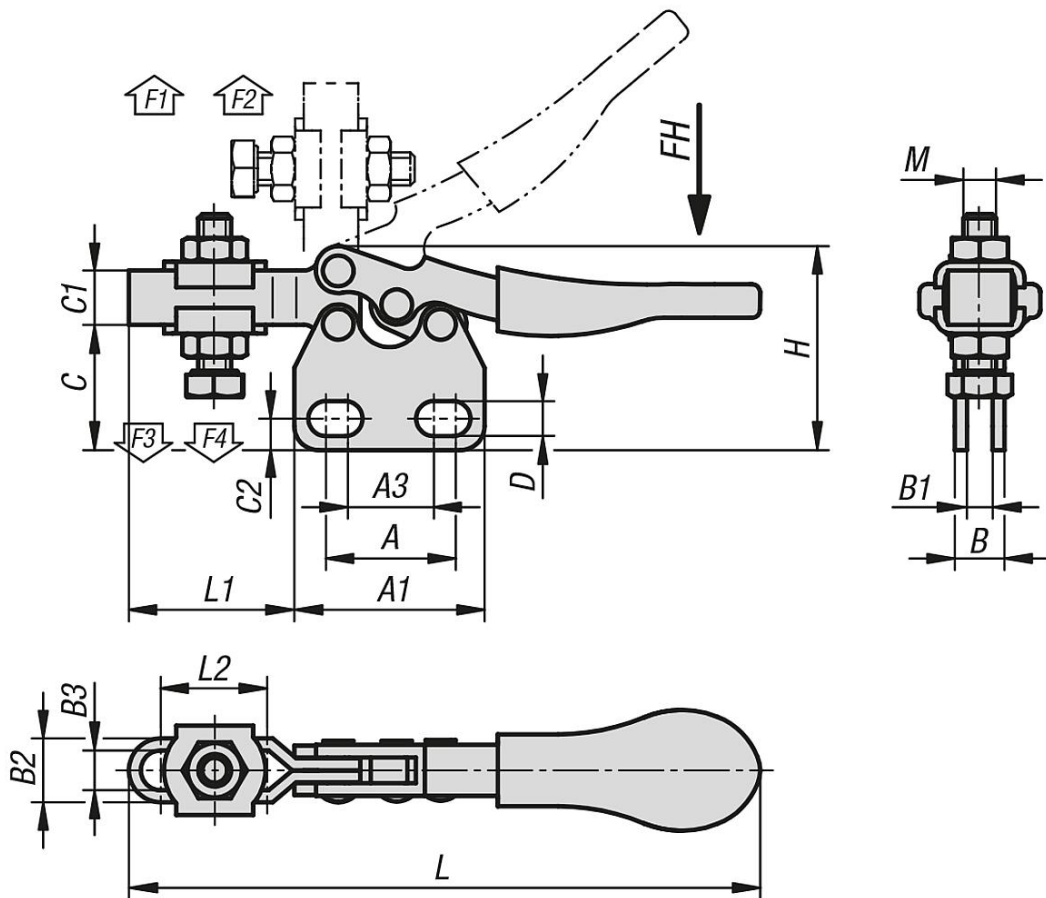
K0106

K1441



# Toggle clamp mini, horizontal with straight foot and adjustable clamping spindle

Drawings



## Overview of items

### Toggle clamp mini, horizontal with straight foot and adjustable clamping spindle

Order No.	Opening angle of holding arm		Opening angle of handle		Hand force FH N	Retaining force F1 N	Retaining force F2 N	Clamping force F3 N	Clamping force F4 N
K1243.0500	90°		75°		50	250	500	150	350

Order No.	A	A1	A3	B	B1	B2	B3	C	C1	C2	D	H	L	L1	L2	M
K1243.0500	15,9	23,8	11,1	6	3	8	5	16	6,8	4	4,4	25,3	79	20,7	13,5	M4x20