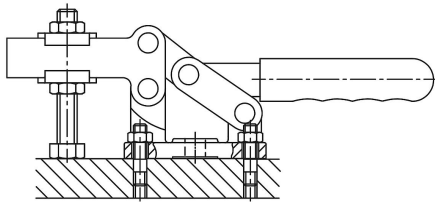
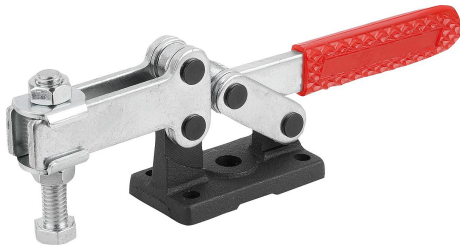


Toggle clamps horizontal heavy duty with adjustable clamping spindle

Item description/product images



Description

Material:
Steel.

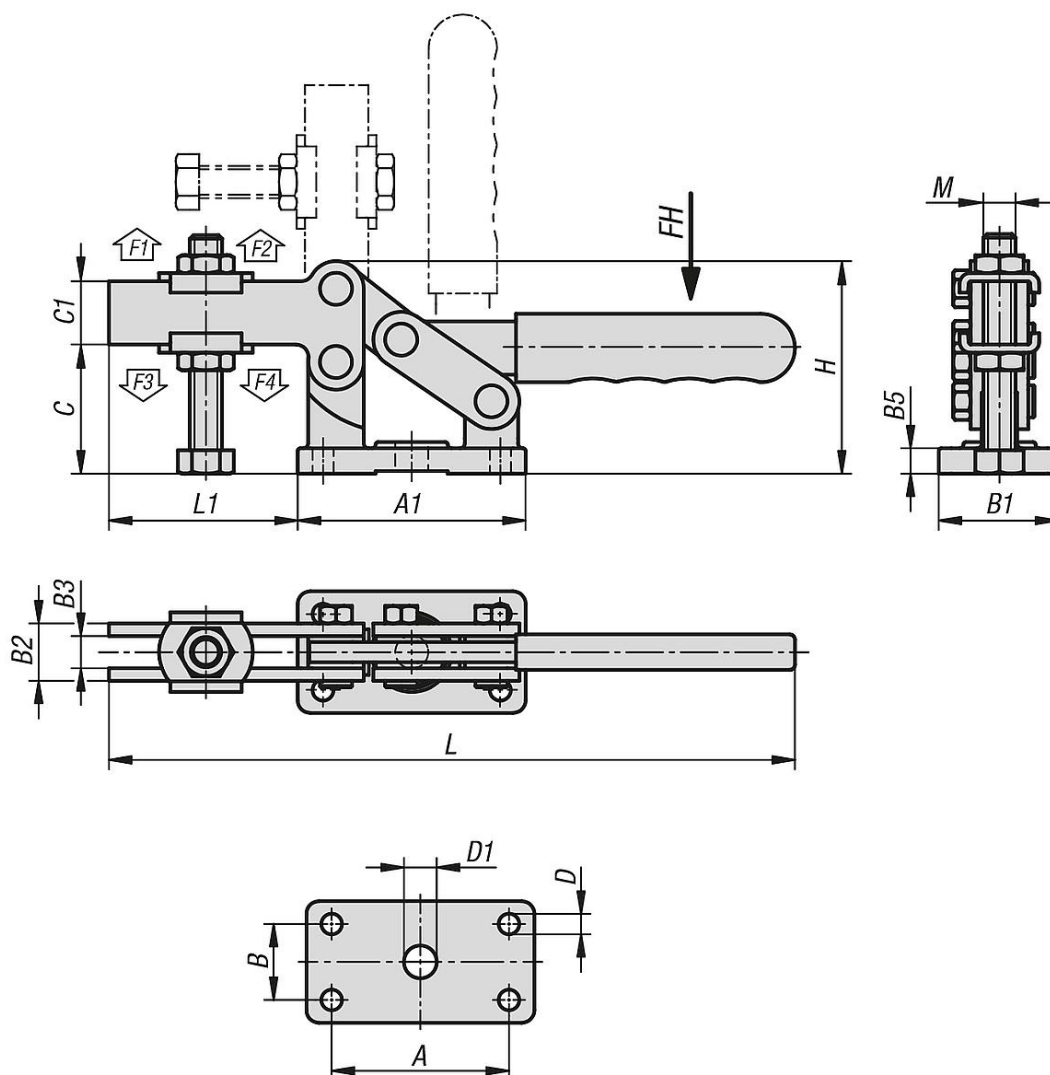
Version:
Electro zinc-plated steel.
Plastic handle, oil-resistant.

Note:
The clamp can only be mounted from below using M8 studs and DIN 934 hexagon nuts, see sketch.

Accessory:
K0688
K0689
K1442
K0102
K0103
K0106
K1441

Toggle clamps horizontal heavy duty with adjustable clamping spindle

Drawings



Overview of items

Toggle clamps horizontal heavy-duty with adjustable clamping spindle

Order No.	Opening angle of holding arm	Opening angle of handle	Hand force FH N	Retaining force F1 N	Retaining force F2 N	Clamping force F3 N	Clamping force F4 N
K1242.06000	91°	93°	250	3000	6000	1800	3400

Order No.	A	A1	B	B1	B2	B3	B5	C	C1	D	D1	H	L	L1	M
K1242.06000	70	90	30	48	22,7	12,7	10	51	25	8,3	13	83,9	271	74,5	M12x100