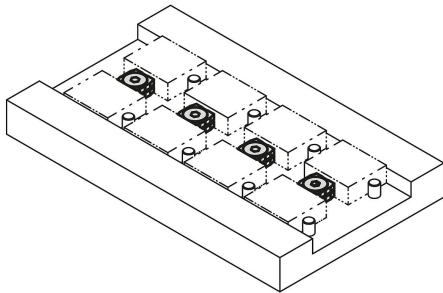


## Wedge clamp with socket head screw, Form B

### Item description/product images



### Description

**Material:**

Carbon steel.

**Version:**

Jaw plate hardened (33–39 HRC) and black oxidised.

**Note:**

Due to the functioning principle, wedge clamps are suitable for clamping in series.

The wedges generate higher clamping forces.

Wedge clamps with pull-down effect.

**Drawing reference:**

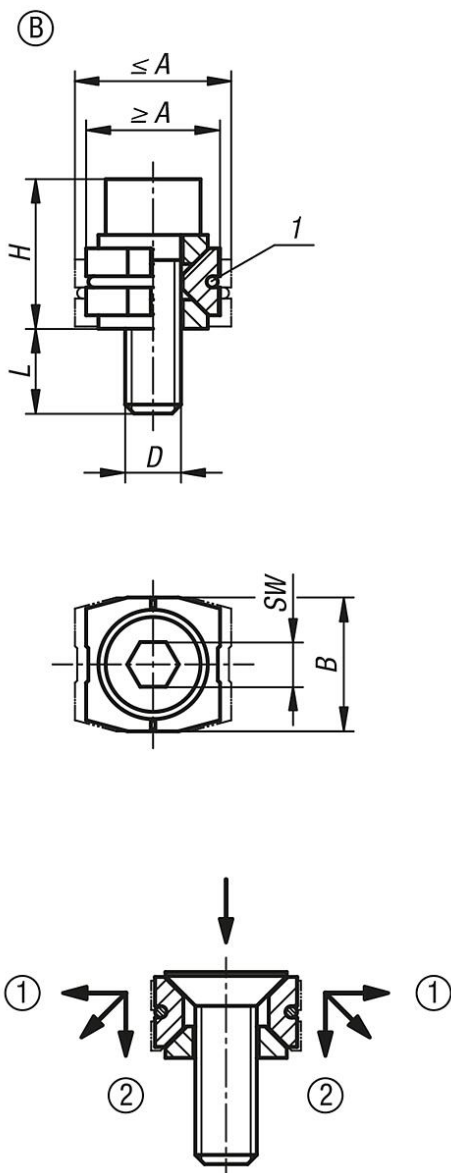
Dimension L refers to  $\leq A$ .

Dimension H refers to  $\geq A$ .

1) O-ring

Wedge clamp with socket head screw, Form B

Drawings



- (Jaws exert positive down force)
- ① Horizontal thrust against workpiece
  - ② Vertical thrust prevents the workpiece lifting

Overview of items

Order No.	Form	A min.	A max.	B	D	H	L	SW	Clamping force max. kN	Tightening torque max. Nm
K1167.21205	B	12	14	12	M5X16	13,4	9,6	4	3	5,4
K1167.21506	B	15	17	14,8	M6X18	15,8	10,2	5	4,5	9,1
K1167.21808	B	18,5	21,5	18,4	M8X25	21,2	14,9	6	9	22