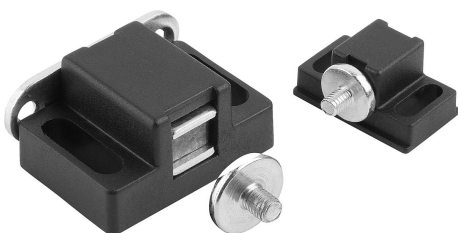


Magnetic catches

Item description/product images



Description

Material:

Polyamide fibreglass reinforced
DIN 921 pan head screw, steel.
Retaining plate, steel.

Version:

Black.
Pan head screw and retaining plate electro zinc-plated.

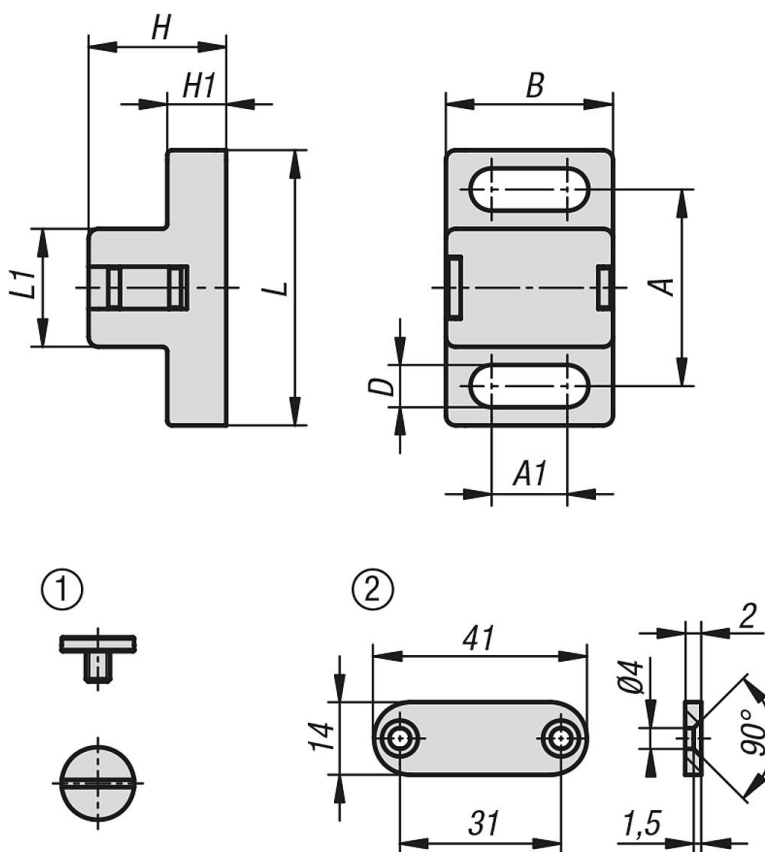
Note:

Magnetic catch for swing and sliding doors. The elongated holes enable flexible positioning on aluminium profiles and panel elements.

Drawing reference:

- 1) Pan head screw
- 2) Retaining plate

Drawings



Overview of items

Magnetic catches

Magnetic catches

Overview of items

Order No.	A	A1	B	D	H	H1	L	L1	Retaining force F1 N	Retaining force F2 N	Counterpart
K1295.17281	20	7,7	17	4,3	14	6	28	12	5	3	M4x5 pan head screw
K1295.28401	30	13,5	28	6,3	20	10	40	19	20	10	M5x6 pan head screw
K1295.28402	30	13,5	28	6,3	20	10	40	19	20	10	M5x6 pan head screw and 14x41x2 retaining plate