

## Quarter-turn lock stainless steel with wing grip

### Item description/product images



### Description

**Material:**

Stainless steel 1.4401.

**Version:**

Bright.

Grip polished.

**Note:**

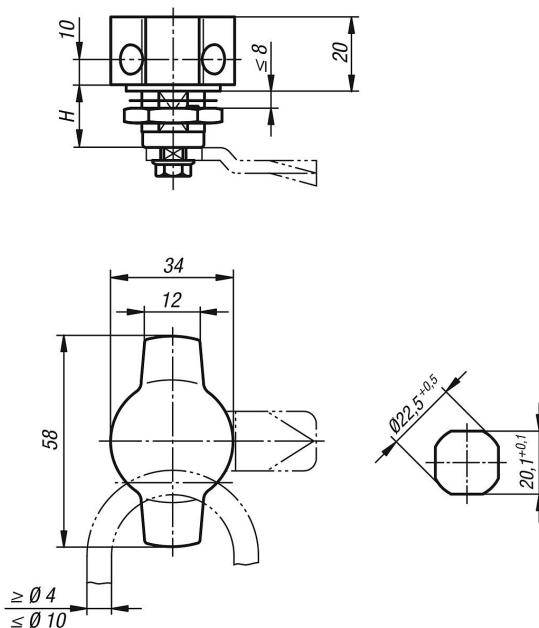
Quarter-turn lock with wing grip. Right or left deployment. The lock can be installed pre-assembled.

Water and dust tight according to IP65.

Please order the desired tongue type separately. Every tongue can be combined with every housing.

Quarter-turn lock stainless steel with wing grip

Drawings



Overview of items

Order No.	Actuation	H
K1358.18	lockable grip	18