

## Quarter-turn locks, stainless steel with T-grip

### Item description/product images



### Description

#### Material:

Quarter-turn lock 1.4401 stainless steel.  
Tongue 1.4301 stainless steel.

#### Version:

Bright.  
Grip polished.

#### Note:

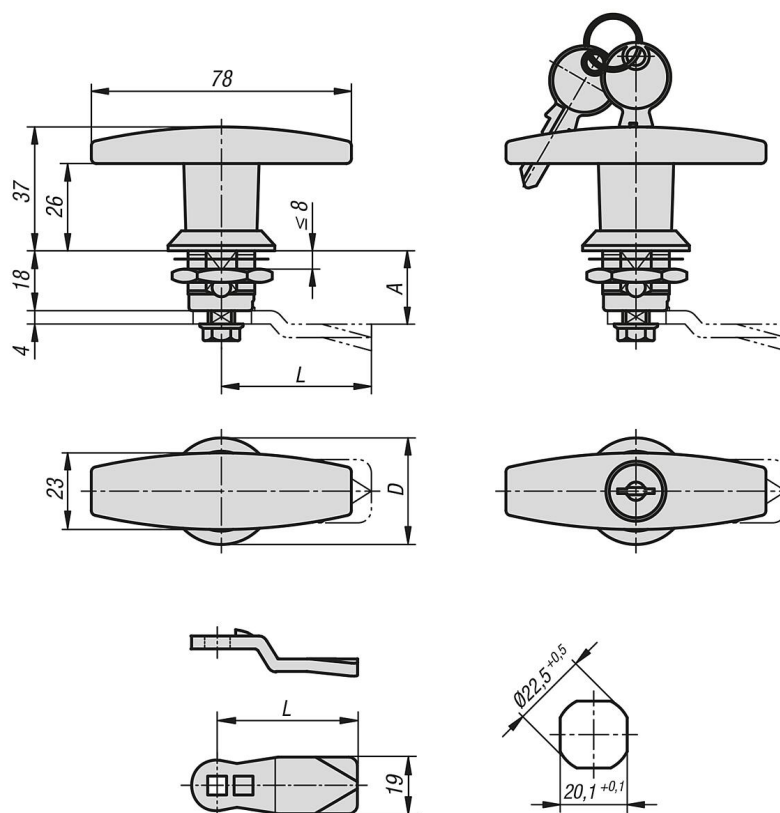
Quarter-turn lock with T-grip. For right or left mounting with 90° closing. The quarter-turn lock can be installed pre-assembled. Supplied with standard stainless-steel nut. The lockable quarter-turn locks are each supplied with 2 keys. Rating IP65. Please order required tongue version separately. Every tongue can be combined with this housing.

The cylinder locks have a single-key system i.e. the same key works in all locks.

#### On request:

Available for door thickness 20 and 40 mm.

### Drawings



### Overview of items

### Quarter-turn locks, stainless steel with T-grip

## Quarter-turn locks, stainless steel with T-grip

### Overview of items

Order No.	Actuation	D
K1356.1186	T-Grip	32
K1356.2186	lockable T-grip	32

### Tongue for quarter-turn locks

Order No.	A	L
K1340.45060	6	45
K1340.45080	8	45
K1340.45100	10	45
K1340.45140	14	45
K1340.45160	16	45
K1340.45180	18	45
K1340.45200	20	45
K1340.45220	22	45
K1340.45240	24	45
K1340.45260	26	45
K1340.45280	28	45
K1340.45320	32	45
K1340.45500	50	45