

Rubber buffers stainless steel type B cylindrical with external thread and internal thread, grey

Item description/product images



Description

Material:

Metal parts 1.4401 stainless steel.

Elastomer natural rubber, medium hardness Shore 55A, grey.

Version:

Stainless steel bright.

Note:

Rubber buffers are widely-used construction elements for elastic mounting. They are used, among other things, as mountings for aggregates, motors, compressors, pumps and testing machinery.

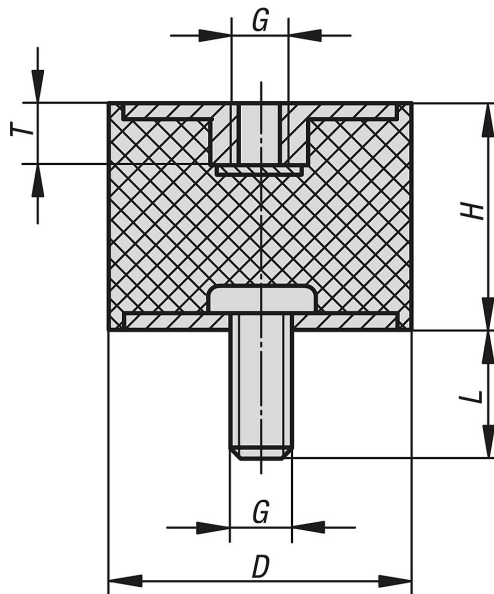
Temperature range:

-30 °C to +80 °C

On request:

Metal parts 1.4301 stainless steel.

Drawings



Overview of items

Rubber buffers, stainless steel, type B

Order No.	Main material	Component colour	D	H	G	L	T	Spring stiffness N/mm	Load N
K1321.00800855	stainless steel	grey	8	8	M3	6	3	35	17
K1321.01001055	stainless steel	grey	10	10	M4	10	4	75	75
K1321.01001555	stainless steel	grey	10	15	M4	10	4	50	60
K1321.01501055	stainless steel	grey	15	10	M4	10	4	130	130
K1321.01501555	stainless steel	grey	15	15	M4	10	4	100	120
K1321.02001555	stainless steel	grey	20	15	M6	18	5	325	390
K1321.02002055	stainless steel	grey	20	20	M6	18	5	130	260

Rubber buffers stainless steel type B cylindrical with external thread and internal thread, grey

Overview of items

Order No.	Main material	Component colour	D	H	G	L	T	Spring stiffness N/mm	Load N
K1321.02002555	stainless steel	grey	20	25	M6	18	5	95	210
K1321.02501555	stainless steel	grey	25	15	M6	18	5	333	399
K1321.02502055	stainless steel	grey	25	20	M6	18	5	195	410
K1321.02502555	stainless steel	grey	25	25	M6	18	5	117	257
K1321.02503055	stainless steel	grey	25	30	M6	18	5	100	300
K1321.03001555	stainless steel	grey	30	15	M8	23	7	590	708
K1321.03002055	stainless steel	grey	30	20	M8	23	7	280	560
K1321.03002555	stainless steel	grey	30	25	M8	23	7	180	396
K1321.03003055	stainless steel	grey	30	30	M8	23	7	168	504
K1321.03004055	stainless steel	grey	30	40	M8	23	7	88	308
K1321.04002055	stainless steel	grey	40	20	M8	23	7	700	840
K1321.04003055	stainless steel	grey	40	30	M8	23	7	273	820
K1321.04004055	stainless steel	grey	40	40	M8	23	7	189	660
K1321.05002055	stainless steel	grey	50	20	M10	28	8	1471	2500
K1321.05002555	stainless steel	grey	50	25	M10	28	8	630	1386
K1321.05003055	stainless steel	grey	50	30	M10	28	8	545	1635
K1321.05004055	stainless steel	grey	50	40	M10	28	8	310	1116
K1321.05005055	stainless steel	grey	50	50	M10	28	8	180	900
K1321.06004055	stainless steel	grey	60	40	M10	28	8	500	1750
K1321.07004555	stainless steel	grey	70	45	M10	28	8	600	2400
K1321.07502555	stainless steel	grey	75	25	M12	37	10	2440	3660
K1321.07504055	stainless steel	grey	75	40	M12	37	10	700	2450
K1321.07505055	stainless steel	grey	75	50	M12	37	10	520	2600
K1321.07505555	stainless steel	grey	75	55	M12	37	10	396	2178