

# Rubber buffers stainless steel type D cylindrical with external thread, grey

Item description/product images



## Description

### Material:

Metal parts 1.4401 stainless steel.

Elastomer natural rubber, medium hardness Shore 55A, grey.

### Version:

Stainless steel bright.

### Note:

Rubber buffers are used, among other things for mounting aggregates and as elastic buffers to limit the travel of moving masses.

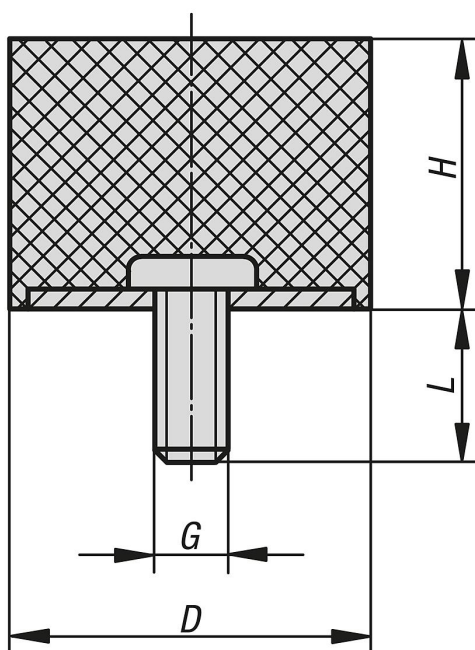
### Temperature range:

-30 °C to +80 °C

### On request:

Metal parts 1.4301 stainless steel.

## Drawings



## Overview of items

### Rubber buffers, stainless steel, type D

Order No.	Main material	Component colour	D	H	G	L	Spring stiffness N/mm	Load N
K1318.00800855	stainless steel	grey	8	8	M3	6	40	40
K1318.01001055	stainless steel	grey	10	10	M4	10	35	35
K1318.01001555	stainless steel	grey	10	15	M4	10	26	40
K1318.01500855	stainless steel	grey	15	8	M4	10	187	187
K1318.01501055	stainless steel	grey	15	10	M4	10	100	100
K1318.02000855	stainless steel	grey	20	8	M6	18	250	250

## Rubber buffers stainless steel type D cylindrical with external thread, grey

### Overview of items

Order No.	Main material	Component colour	D	H	G	L	Spring stiffness N/mm	Load N
K1318.02001055	stainless steel	grey	20	10	M6	18	240	240
K1318.02001555	stainless steel	grey	20	15	M6	18	110	220
K1318.02002055	stainless steel	grey	20	20	M6	18	75	225
K1318.02500855	stainless steel	grey	25	8	M6	18	850	850
K1318.02501055	stainless steel	grey	25	10	M6	18	400	400
K1318.02501555	stainless steel	grey	25	15	M6	18	210	420
K1318.02502055	stainless steel	grey	25	20	M6	18	140	420
K1318.02502555	stainless steel	grey	25	25	M6	18	100	350
K1318.03001555	stainless steel	grey	30	15	M8	23	270	540
K1318.03002055	stainless steel	grey	30	20	M8	23	238	714
K1318.03003055	stainless steel	grey	30	30	M8	23	127	508
K1318.03004055	stainless steel	grey	30	40	M8	23	88	528
K1318.04001555	stainless steel	grey	40	15	M8	23	710	1420
K1318.04002055	stainless steel	grey	40	20	M8	23	365	1095
K1318.04003055	stainless steel	grey	40	30	M8	23	205	820
K1318.05002055	stainless steel	grey	50	20	M10	28	646	1938
K1318.05003055	stainless steel	grey	50	30	M10	28	354	1416
K1318.05004055	stainless steel	grey	50	40	M10	28	230	1380