

Mushroom knobs external thread with high head for Hygienic USIT® sealing and shim washer Freudenberg Process Seals

Item description/product images



Description

Material:

Steel parts stainless steel 1.4404.

Version:

High-gloss polished.

Note:

The high head makes the mushroom knob ideal for manual pull and push movements.

The complete surface is polished to a high gloss with a surface finish of much less than Ra 0.8 µm. The contour is produced with generous radii and transitions. It doesn't matter in which position the mushroom knob is mounted, dirt and residue from products or cleaners seldom adheres. Easy cleaning is ensured.

The Hygienic USIT® sealing and shim washers from Freudenberg Process are used to seal the screw-on point. The shaft of the mushroom knob is specially designed to suit this seal. An almost cavity-free seal of the screw-on point is created which satisfies hygienic regulations.

On request:

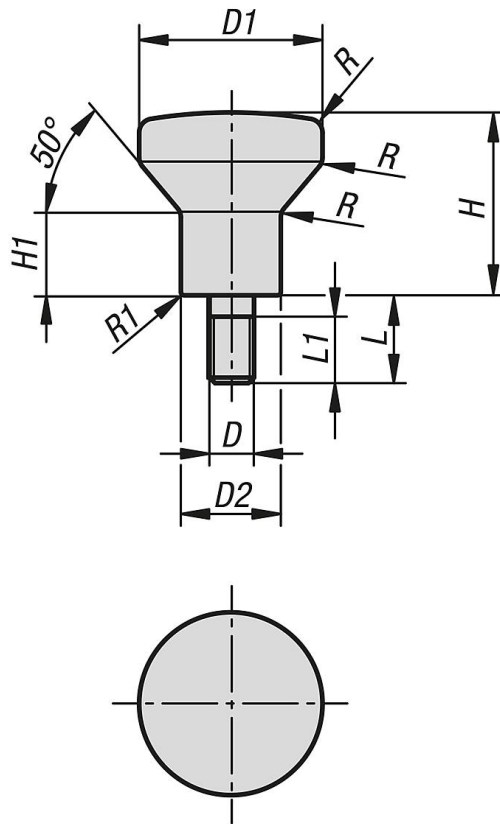
Inch threads, thread lengths, form variations.

Accessory:

Hygienic USIT® sealing and shim washer K1491 for the screw-on surface.

Mushroom knobs external thread with high head for Hygienic USIT® sealing and shim washer Freudenberg Process Seals

Drawings



Overview of items

Mushroom knobs external thread, with high head, for Hygienic USIT® sealing and shim washer

Order No.	D	D1	D2	H	H1	L	L1	R	R1
K1309.2004X8	M4	20	10,8	19	8	8	7	3	0,45
K1309.2105X10	M5	21	11,8	21	10	10	9	3	0,5
K1309.2506X12	M6	25	14,2	25	12	12	11	3	0,55
K1309.3308X16	M8	33	18	33	15	16	15	4	0,7
K1309.4010X20	M10	40	22,3	40	19	20	19	4	0,8