

## Cable clips

### Item description/product images



### Description

**Material:**

Polyamide.  
O-ring FPM 70.

**Version:**

Black.

**Note:**

The cable clip is a fastening component for cables and hoses with a diameter of up to 12 mm.

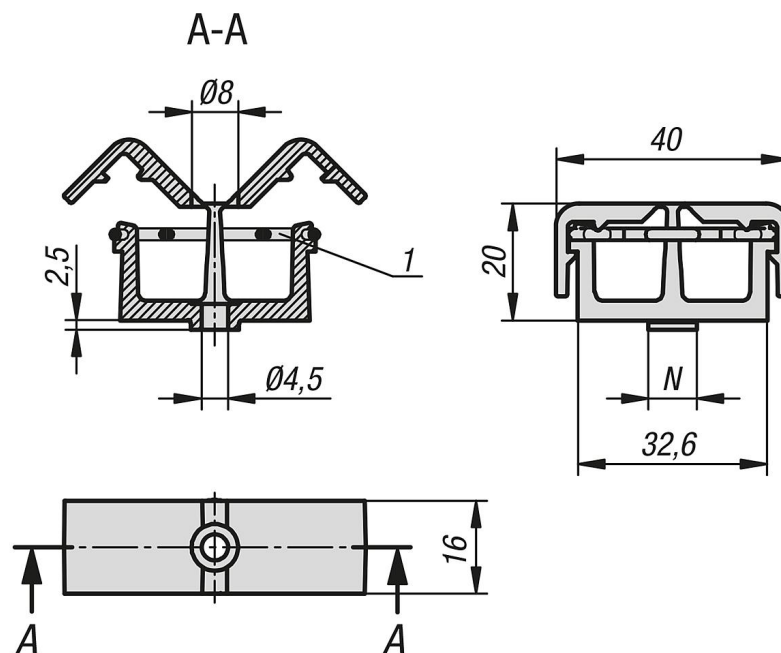
Can be mounted on panel elements or aluminium profiles (8 or 10 mm slots) with a cap screw or pan head screw and a slot key. The cables are held in place by the stretched O-ring.

With two separate channels.

**Drawing reference:**

1) O-ring

### Drawings



### Overview of items

#### Cable clips

Order No.	Slot width	N
K1279.00	-	-
K1279.08	8	8
K1279.10	10	10

