

## Workpiece supports

### Item description/product images



### Description

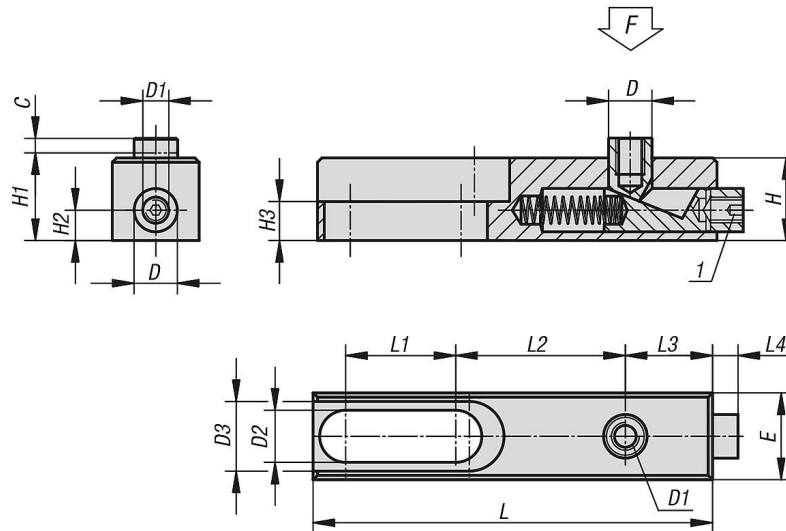
**Material:**  
Steel.

**Version:**  
Case-hardened, black oxidised and ground.

**Note:**  
These supports are placed under long or thin workpieces to prevent vibration or bending during milling, drilling, grinding or shaping operations.

**Drawing reference:**  
1) set screw

### Drawings



### Overview of items

#### Workpiece supports

Order No.	C	D	D1	D2	D3	E	H	H1	H2	H3	L	L1	L2	L3	L4	F kN
K0889.006	4	10	M6	8,2	16,2	20	19	19,5	7	9	92	25,5	39	20	6	3
K0889.010	6	16	M10	12,5	24,4	30	30	31	10	10	149	44	61	32	11	15