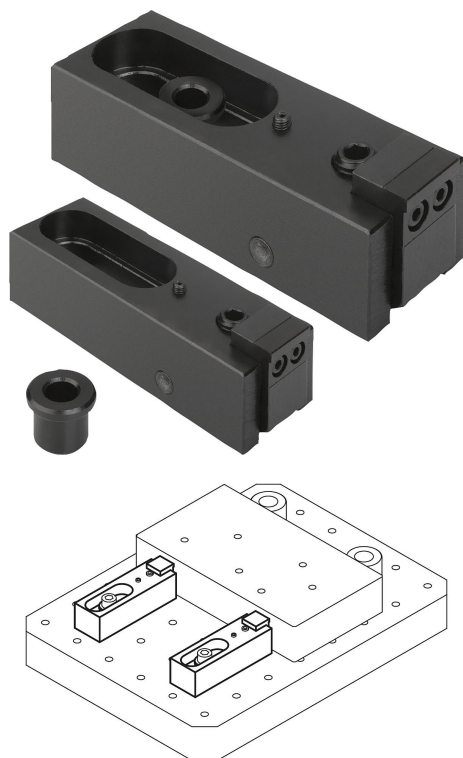


Side clamps

Item description/product images



Description

Material:

Body steel.
Jaw mild steel.
Centring bush with collar carbon steel.

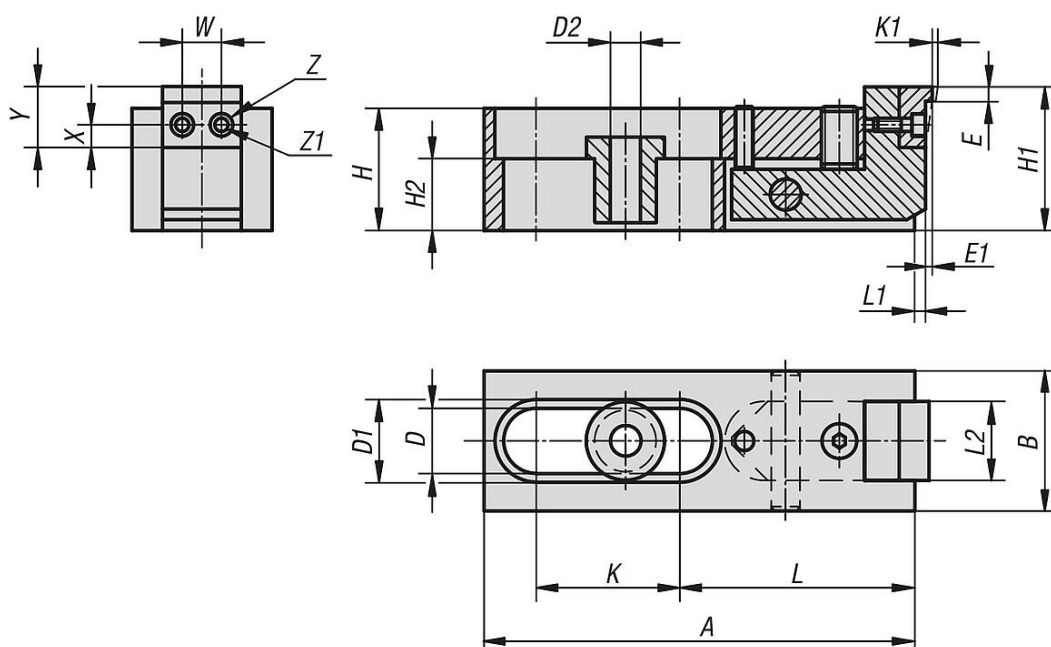
Version:

Black oxidised.
Jaw plates case-hardened.

Note:

These flat design side clamps are ideal for machining low profile workpieces. The hardened jaws also provide positive down force.

Drawings



Overview of items

Side clamps

Side clamps

Overview of items

Order No.	A	B	D	D1	D2	E	E1	H	H1	H2	K	K1	L	L1	L2	W	X	Y	Z	Z1	F=Retaining force N
K0890.006	80	24	12,2	16	6,5	2,5	0,6	21	25,5	9	25,5	2	44,5	2,5	13,5	7	4,5	11	5	3	3000
K0890.010	120	39	18,2	24	10,5	4	1	34	40	20	40,5	2,5	65,5	4	21,5	10	6	15	8	4,5	16000
K0890.016	186	60	26,2	35	17	7	1,5	51	59	22	60,5	4	105	6,5	35,5	16	9	24	14	9	31000