

## Fastening set for T-slot workpiece stabiliser

### Item description/product images

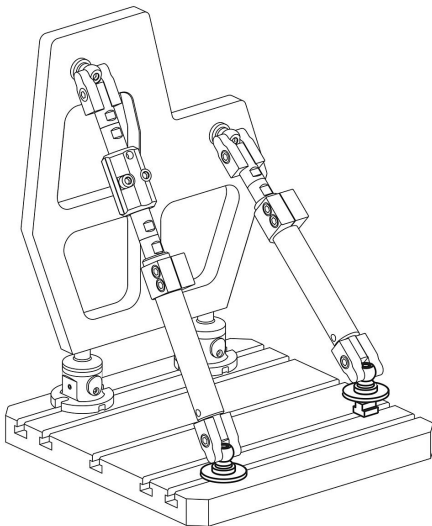
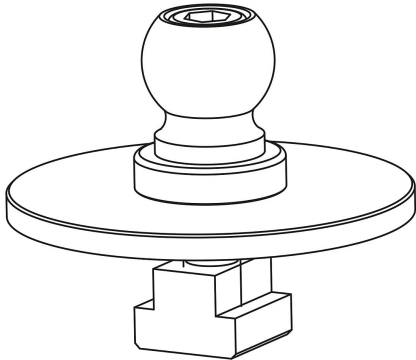


### Description

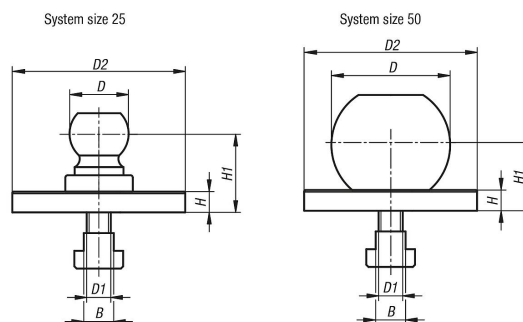
**Material:**  
Steel.

**Note:**  
These fastening sets for T-slots are for adapting to machine tables with T-slots.

The clamping balls can be exchanged between the two system sizes.



### Drawings



### Overview of items

## Fastening set for T-slot workpiece stabiliser

### Overview of items

#### Fastening set for T-slot workpiece stabiliser

Order No.	Size	B	D	D1	D2	H	H1
K1189.2514	25	14	25,4	M10	78	10	35
K1189.2518	25	18	25,4	M10	78	10	35
K1189.2522	25	22	25,4	M10	78	10	35
K1189.2528	25	28	25,4	M10	78	10	35
K1189.5014	50	14	50	M10	78	10	30
K1189.5018	50	18	50	M10	78	10	30
K1189.5022	50	22	50	M10	78	10	30
K1189.5028	50	28	50	M10	78	10	30