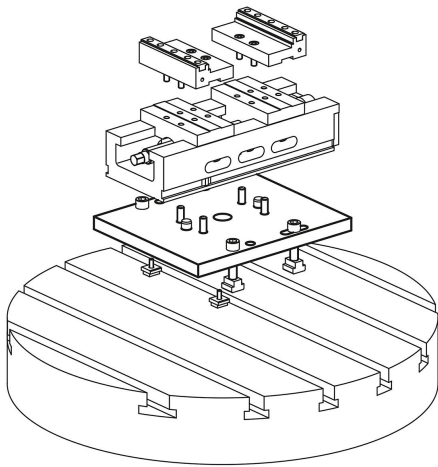
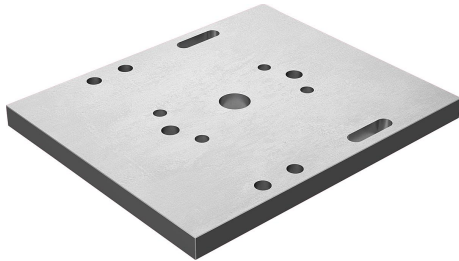
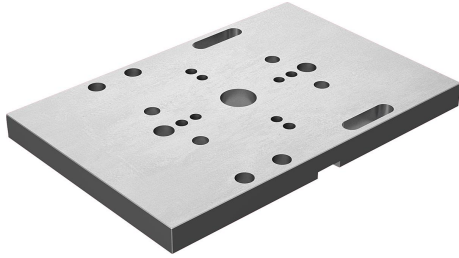
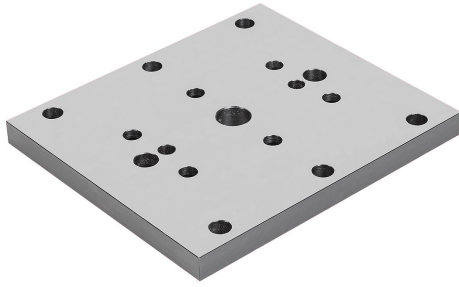


## Baseplate for centric vice

### Item description/product images



### Description

**Material:**  
Steel.

**Version:**  
Hardened and ground.

**Note:**

Form A:

The baseplate enables the centric vices (65 - 80 - 125) to be mounted onto 50 mm x M12/12F7 grid systems.

Form B+C:

The baseplate enables the centric vices (65 - 80 - 125) to be mounted on machine tables with T-slots.

