

R-clips similar to DIN 11024, Form D, double coil

Item description/product images



Description

Material:

Steel or stainless steel A2.

Version:

Steel electro zinc-plated.

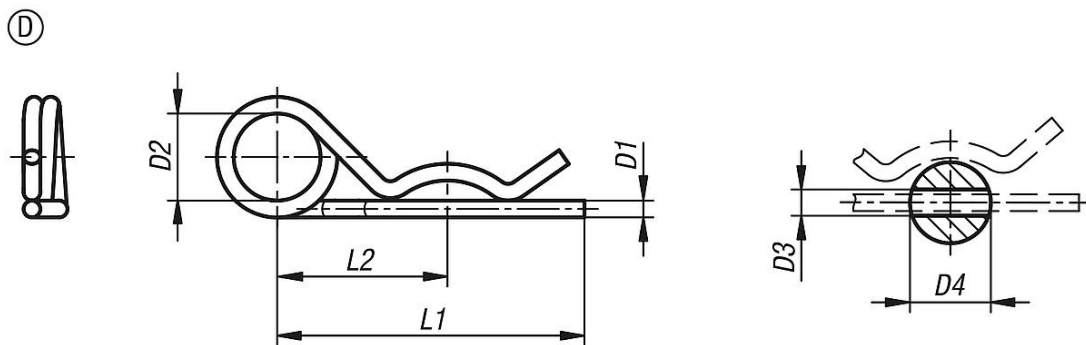
Stainless steel bright.

Note:

R-clips are used for securing bolts and axles. They are easy to install and can be reused. The ends have no sharp edges.

Double coil R-clips have a flatter spring characteristics and are easier to install. The double coil allows a tether cable to be attached to prevent loss.

Drawings



Overview of items

Order No.	Form	Main material	D1	D2	D3	D4=for screw \emptyset	L1	L2
K1137.12225	D	steel	2,25	20	2,5	9-11,2	42	24
K1137.12280	D	steel	2,8	20	3,2	11,2-14	48	26
K1137.12360	D	steel	3,6	20	4	14-20	64	32
K1137.12450	D	steel	4,5	25	5	20-26	80	39
K1137.12560	D	steel	5,6	25	6,3	26-34	97	45
K1137.12630	D	steel	6,3	30	7	34-45	125	56
K1137.12700	D	steel	7	30	8	45-56	150	63
K1137.22225	D	stainless steel A2	2,25	20	2,5	7-9	42	24
K1137.22280	D	stainless steel A2	2,8	20	3,2	11-14	48	26
K1137.22360	D	stainless steel A2	3,6	20	4	14-20	64	32
K1137.22450	D	stainless steel A2	4,5	25	5	20-26	80	39
K1137.22560	D	stainless steel A2	5,6	25	6,3	26-34	97	45