

Flush type grease nipples DIN 3405, Form A, straight

Item description/product images



Description

Material:

Steel or 1.4305 stainless steel.

Version:

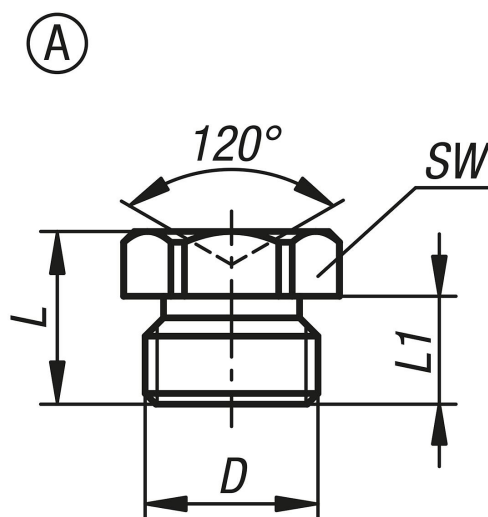
Steel electro zinc-plated.

Stainless steel bright.

Note:

Flush type grease nipples are particularly suitable for flush or recessed installation. By using flush type nipples, the required lubrication can also be carried out on points with poor accessibility.

Drawings



Overview of items

Order No.	Form	Main material	Version 2	D	L	L1	SW
K1134.1106100	A	steel	hexagon	M6x1	9	6	7
K1134.1108100	A	steel	hexagon	M8X1	9	6	9
K1134.1108125	A	steel	hexagon	M8X1,25	9	6	9
K1134.1110100	A	steel	hexagon	M10x1	9,5	6,5	11
K1134.1118	A	steel	hexagon	R1/8	9	6	11
K1134.2106100	A	stainless steel	hexagon	M6X1	8,2	6	7
K1134.2108100	A	stainless steel	hexagon	M8x1	9,5	6,5	9
K1134.2108125	A	stainless steel	hexagon	M8x1,25	9,5	6,5	9
K1134.2110100	A	stainless steel	hexagon	M10X1	9	6	11
K1134.2118	A	stainless steel	hexagon	G1/8	9	6	11

