

Triangular grips 2K ergonomic

Item description/product images



Description

Material:

Hard components fibreglass reinforced plastic.
Soft components thermoplastic elastomer.
Bush or screw, steel grade 5.8 or stainless steel 1.4305.

Version:

Steel trivalent blue passivated.
Stainless steel, bright.

Note:

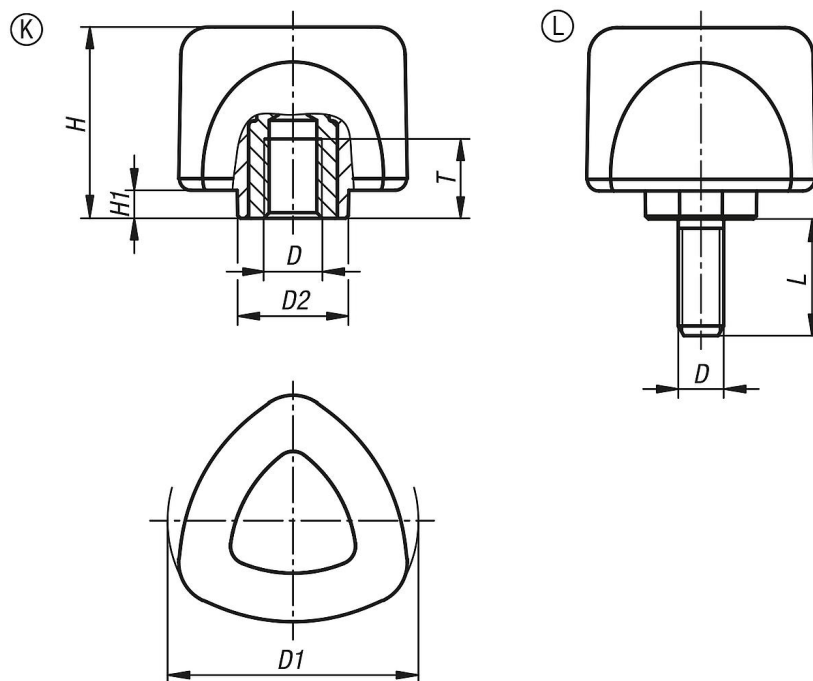
The colour combinations
graphite black RAL 9011 (hard components) and
black grey RAL 7021 (soft components)
are supplied as standard.

The soft components ensure a non-slip grip of the operating part. The closed design offers sufficient protection against dirt.

On request:

Further colour combinations.

Drawings



Overview of items

Internal thread

| Order No. | Form | Component material | D | D1 | D2 | H | H1 | L | T |
|------------|------|--------------------|-----|------|------|----|----|---|----|
| K0980.5008 | K | steel | M8 | 53,8 | 23,9 | 41 | 6 | - | 17 |
| K0980.5010 | K | steel | M10 | 53,8 | 23,9 | 41 | 6 | - | 17 |

Triangular grips 2K ergonomic

Overview of items

| Order No. | Form | Component material | D | D1 | D2 | H | H1 | L | T |
|----------------|------|--------------------|-----|------|------|----|----|----|----|
| K0980.6308 | K | steel | M8 | 67,7 | 23,9 | 36 | 6 | - | 17 |
| K0980.6310 | K | steel | M10 | 67,7 | 23,9 | 36 | 6 | - | 17 |
| K0980.05008 | K | stainless steel | M8 | 53,8 | 23,9 | 41 | 6 | - | 17 |
| K0980.05010 | K | stainless steel | M10 | 53,8 | 23,9 | 41 | 6 | - | 17 |
| K0980.06308 | K | stainless steel | M8 | 67,7 | 23,9 | 36 | 6 | - | 17 |
| K0980.06310 | K | stainless steel | M10 | 67,7 | 23,9 | 36 | 6 | - | 17 |
| K0980.5008X20 | L | steel | M8 | 53,8 | 23,9 | 41 | 6 | 20 | - |
| K0980.5008X25 | L | steel | M8 | 53,8 | 23,9 | 41 | 6 | 25 | - |
| K0980.5008X30 | L | steel | M8 | 53,8 | 23,9 | 41 | 6 | 30 | - |
| K0980.5008X40 | L | steel | M8 | 53,8 | 23,9 | 41 | 6 | 40 | - |
| K0980.5010X20 | L | steel | M10 | 53,8 | 23,9 | 41 | 6 | 20 | - |
| K0980.5010X25 | L | steel | M10 | 53,8 | 23,9 | 41 | 6 | 25 | - |
| K0980.5010X30 | L | steel | M10 | 53,8 | 23,9 | 41 | 6 | 30 | - |
| K0980.5010X40 | L | steel | M10 | 53,8 | 23,9 | 41 | 6 | 40 | - |
| K0980.6308X20 | L | steel | M8 | 67,7 | 23,9 | 36 | 6 | 20 | - |
| K0980.6308X25 | L | steel | M8 | 67,7 | 23,9 | 36 | 6 | 25 | - |
| K0980.6308X30 | L | steel | M8 | 67,7 | 23,9 | 36 | 6 | 30 | - |
| K0980.6308X40 | L | steel | M8 | 67,7 | 23,9 | 36 | 6 | 40 | - |
| K0980.6310X20 | L | steel | M10 | 67,7 | 23,9 | 36 | 6 | 20 | - |
| K0980.6310X25 | L | steel | M10 | 67,7 | 23,9 | 36 | 6 | 25 | - |
| K0980.6310X30 | L | steel | M10 | 67,7 | 23,9 | 36 | 6 | 30 | - |
| K0980.6310X40 | L | steel | M10 | 67,7 | 23,9 | 36 | 6 | 40 | - |
| K0980.05008X20 | L | stainless steel | M8 | 53,8 | 23,9 | 41 | 6 | 20 | - |
| K0980.05008X25 | L | stainless steel | M8 | 53,8 | 23,9 | 41 | 6 | 25 | - |
| K0980.05008X30 | L | stainless steel | M8 | 53,8 | 23,9 | 41 | 6 | 30 | - |
| K0980.05008X40 | L | stainless steel | M8 | 53,8 | 23,9 | 41 | 6 | 40 | - |
| K0980.05010X20 | L | stainless steel | M10 | 53,8 | 23,9 | 41 | 6 | 20 | - |
| K0980.05010X25 | L | stainless steel | M10 | 53,8 | 23,9 | 41 | 6 | 25 | - |
| K0980.05010X30 | L | stainless steel | M10 | 53,8 | 23,9 | 41 | 6 | 30 | - |
| K0980.05010X40 | L | stainless steel | M10 | 53,8 | 23,9 | 41 | 6 | 40 | - |
| K0980.06308X20 | L | stainless steel | M8 | 67,7 | 23,9 | 36 | 6 | 20 | - |
| K0980.06308X25 | L | stainless steel | M8 | 67,7 | 23,9 | 36 | 6 | 25 | - |
| K0980.06308X30 | L | stainless steel | M8 | 67,7 | 23,9 | 36 | 6 | 30 | - |
| K0980.06308X40 | L | stainless steel | M8 | 67,7 | 23,9 | 36 | 6 | 40 | - |
| K0980.06310X20 | L | stainless steel | M10 | 67,7 | 23,9 | 36 | 6 | 20 | - |
| K0980.06310X25 | L | stainless steel | M10 | 67,7 | 23,9 | 36 | 6 | 25 | - |
| K0980.06310X30 | L | stainless steel | M10 | 67,7 | 23,9 | 36 | 6 | 30 | - |
| K0980.06310X40 | L | stainless steel | M10 | 67,7 | 23,9 | 36 | 6 | 40 | - |