

Star grips, DIN 6336, grey cast iron, Form L, with external thread

Item description/product images



Description

Material:

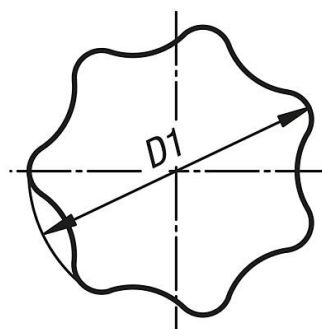
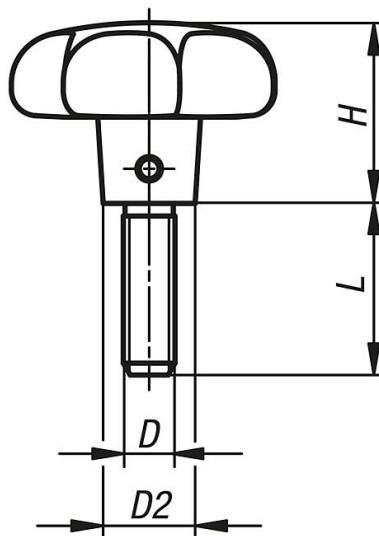
Grey cast iron GJL 200.  
 Grub screw stainless steel 1.4305.  
 Pin stainless steel 1.4310.

Version:

Star grip vibratory ground.  
 Grub screw and pin bright.

Drawings

Ⓛ



Overview of items

Order No.	Form	Surface finish body	D	D1	D2	H	L
K0151.606X15	L	tumbled	M6	32	12	20	15

## Star grips, DIN 6336, grey cast iron, Form L, with external thread

### Overview of items

Order No.	Form	Surface finish body	D	D1	D2	H	L
K0151.606X20	L	tumbled	M6	32	12	20	20
K0151.606X25	L	tumbled	M6	32	12	20	25
K0151.606X30	L	tumbled	M6	32	12	20	30
K0151.608X20	L	tumbled	M8	40	14	25	20
K0151.608X25	L	tumbled	M8	40	14	25	25
K0151.608X30	L	tumbled	M8	40	14	25	30
K0151.608X40	L	tumbled	M8	40	14	25	40
K0151.610X25	L	tumbled	M10	50	18	32	25
K0151.610X30	L	tumbled	M10	50	18	32	30
K0151.610X40	L	tumbled	M10	50	18	32	40
K0151.610X50	L	tumbled	M10	50	18	32	50
K0151.612X30	L	tumbled	M12	63	20	40	30
K0151.612X40	L	tumbled	M12	63	20	40	40
K0151.612X50	L	tumbled	M12	63	20	40	50
K0151.612X60	L	tumbled	M12	63	20	40	60