

## Quarter-turn lock, stainless steel with L-grip

Item description/product images



### Description

**Material:**

Grip and tongue 1.4301 stainless steel.  
Housing and nut 1.4305 stainless steel.

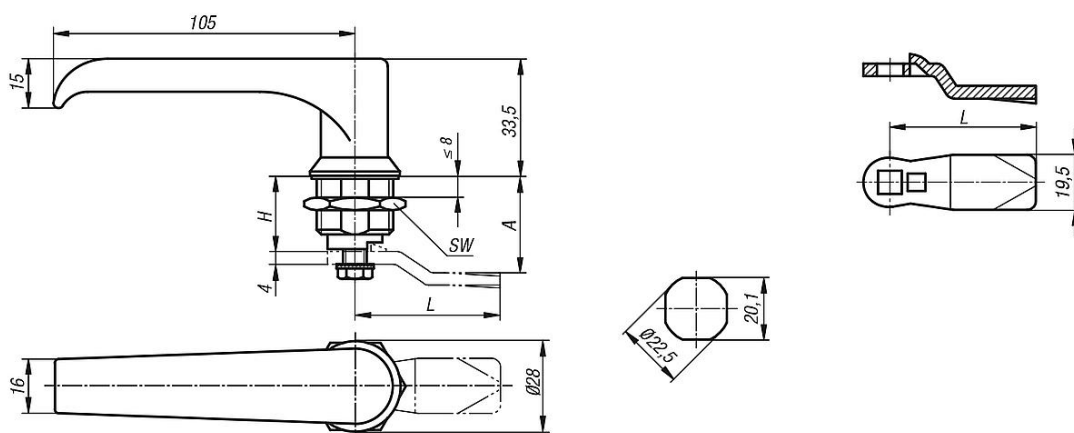
**Version:**

Bright.

**Note:**

Quarter-turn lock with L-grip. For right or left mounting with 90° closing. The quarter-turn lock can be installed pre-assembled. Supplied with standard stainless-steel nut. Rating IP65. Please order required tongue version separately. Every tongue can be combined with this housing.

### Drawings



### Overview of items

#### Quarter-turn lock, stainless steel with L-grip

Order No.	Actuation	H	SW
K1110.1186	L-grip	18	27

#### Tongue for quarter-turn lock

Order No.	A for housing length H=18	L
K1114.245X180	18	45
K1114.245X200	20	45
K1114.245X240	24	45
K1114.245X280	28	45

**Quarter-turn lock, stainless steel with L-grip****Overview of items**

Order No.	A for housing length H=18	L
K1114.245X320	32	45
K1114.245X340	34	45
K1114.245X360	36	45
K1114.245X380	38	45
K1114.245X400	40	45
K1114.245X420	42	45