

Star grips similar to DIN 6336, stainless steel, Form L, with external thread

Item description/product images



Description

Material:

Stainless steel 1.4308.

Grub screw stainless steel 1.4305.

Pin stainless steel 1.4310.

Version:

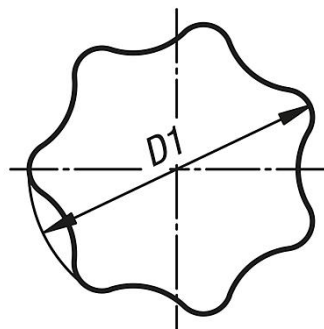
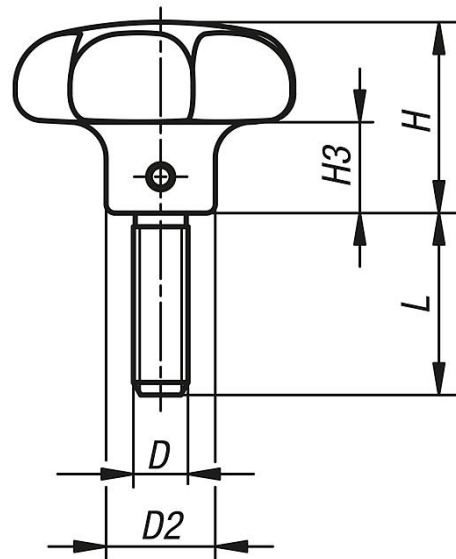
Star grip blasted.

Grub screw and pin bright.

Star grips similar to DIN 6336, stainless steel, Form L, with external thread

Drawings

Ⓛ



Overview of items

Order No.	Form	Surface finish body	D	D1	D2	H	H3	L
K0150.632063X15	L	blasted	M6	32	12	21	10	15
K0150.632063X20	L	blasted	M6	32	12	21	10	20
K0150.632063X25	L	blasted	M6	32	12	21	10	25
K0150.632063X30	L	blasted	M6	32	12	21	10	30
K0150.640083X20	L	blasted	M8	40	14	26	13	20
K0150.640083X25	L	blasted	M8	40	14	26	13	25
K0150.640083X30	L	blasted	M8	40	14	26	13	30
K0150.640083X40	L	blasted	M8	40	14	26	13	40
K0150.650103X25	L	blasted	M10	50	18	34	17	25
K0150.650103X30	L	blasted	M10	50	18	34	17	30
K0150.650103X40	L	blasted	M10	50	18	34	17	40
K0150.650103X50	L	blasted	M10	50	18	34	17	50
K0150.663123X30	L	blasted	M12	63	20	42	21	30
K0150.663123X40	L	blasted	M12	63	20	42	21	40
K0150.663123X50	L	blasted	M12	63	20	42	21	50
K0150.663123X60	L	blasted	M12	63	20	42	21	60

Star grips similar to DIN 6336, stainless steel, Form L, with external thread

Overview of items
