

Quarter-turn locks for sterile areas

Item description/product images



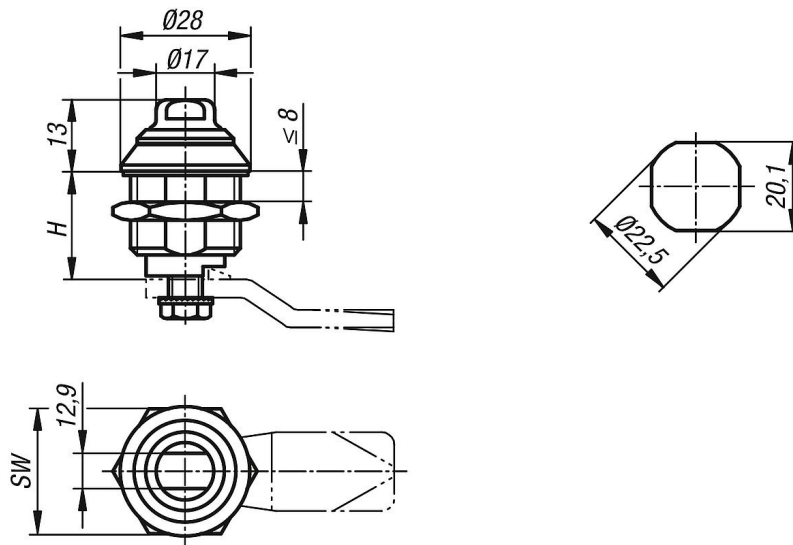
Description

Material:
Stainless steel 1.4305.

Version:
Bright.

Note:
Stainless steel quarter-turn lock with 13 mm AF actuator for applications with hygienic requirements as per EN ISO 14159, EN 1672-2:2009*. Dust and waterproof as per IP69K. The rounded form and polished surfaces together with the material used make these locks insensitive to cleaning materials and resistant to dirt. The seal between the quarter-turn lock and the door is made using the captive PUR foam seal on the underside of the quarter-turn lock housing.

Drawings



Overview of items

Order No.	Actuation	H	SW
K1111.60186	double flat	18	27

