

Quarter-turn locks, stainless steel with T-grip

Item description/product images



Description

Material:

Grip and tongue 1.4301 stainless steel.
Housing and nut 1.4305 stainless steel.

Version:

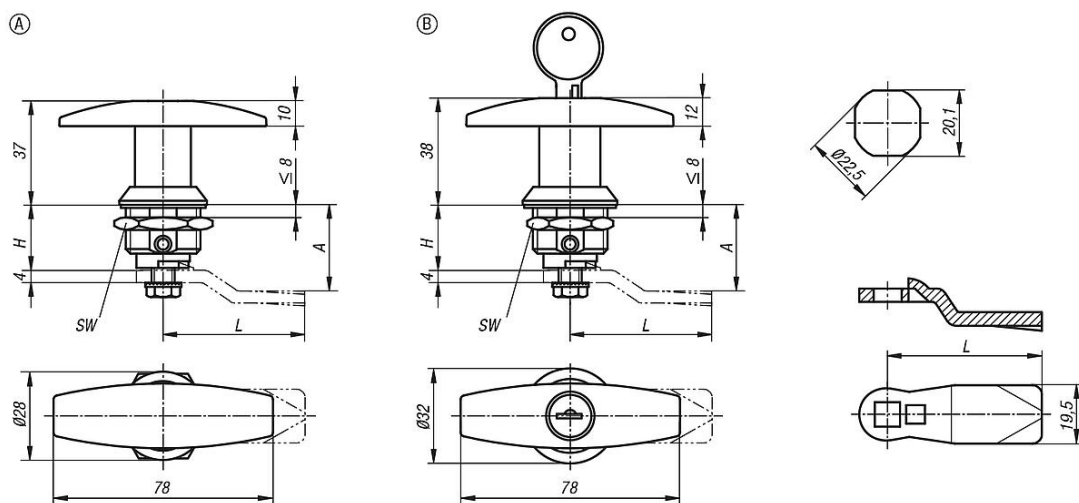
Bright.

Note:

Quarter-turn lock with T-grip. For right or left mounting with 90° closing. The quarter-turn lock can be installed pre-assembled. Supplied with standard stainless-steel nut. The lockable quarter-turn lock is supplied with 2 keys. The key can be removed in both the closed and open position. The cylinder locks have a single-key system i.e. the same key works in all locks (lock type 1333). Rating IP65.

Order the desired tongue separately. Every tongue can be combined with this housing.

Drawings



Overview of items

Quarter-turn locks, stainless steel with T-grip

Order No.	Form	Actuation	H	SW
K1109.1186	A	T-Grip	18	27
K1109.2186	B	lockable T-grip	18	27

Tongue for quarter-turn lock

Order No.	A for housing length H=18	L
K1114.245X180	18	45
K1114.245X200	20	45
K1114.245X240	24	45

Quarter-turn locks, stainless steel with T-grip**Overview of items**

Order No.	A for housing length H=18	L
K1114.245X280	28	45
K1114.245X320	32	45
K1114.245X340	34	45
K1114.245X360	36	45
K1114.245X380	38	45
K1114.245X400	40	45
K1114.245X420	42	45