

## Tube clamps flange, stainless steel, Form B

### Item description/product images



### Description

#### Material:

Stainless steel investment cast 1.4308.

ISO 4017 hex head screw and ISO 4032 nut, stainless steel.

#### Version:

Electropolished.

#### Note:

The tube clamps with diameters 30 and 40 mm have a silicone sleeve that protects the thread of the hex head screw from contamination and damage.

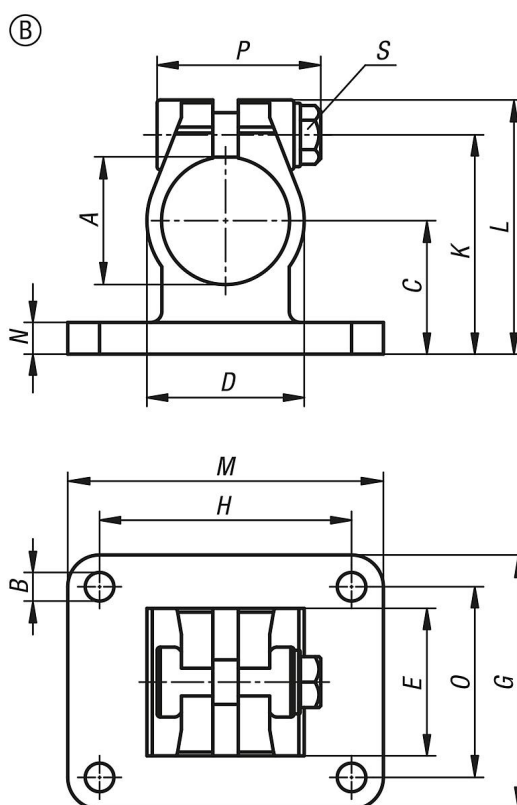
#### On request:

Clamping levers for tightening.

#### Accessory:

- Round and square tubes K0493

### Drawings



### Overview of items

#### Tube clamps flange, stainless steel

Order No.	Form	A	B	C	D	E	G	H	K	L	M	N	O	P	S
K0479.130	B	30,1	7	30	37,4	32,4	55	60	50	59,2	78	7	40	45,5	M8x30
K0479.140	B	40,17	9	42	49,4	46,4	80	60	69	80	80	10	60	52	M10x35

