

Ball lock bushes with twist lock

Item description/product images



Description

Material:

Housing and locking elements steel.
Balls and springs stainless steel.

Version:

Housing and locking element nickel-plated.
Balls tempered.

Note:

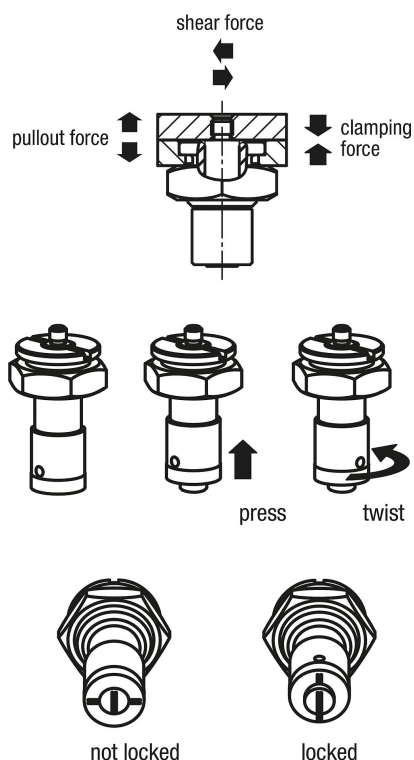
The 3 balls inside the bushing hold the locking pin with the specified retaining force.
The element is secured or released by twisting the bottom part of the bush.
Installation option 1: min. plate thickness 6 mm.
Installation option 2: max. plate thickness 10 mm.
Installation option 3: plate thickness > 10 mm.
Installation option 4: blind hole.

On request:

Suitable nuts.

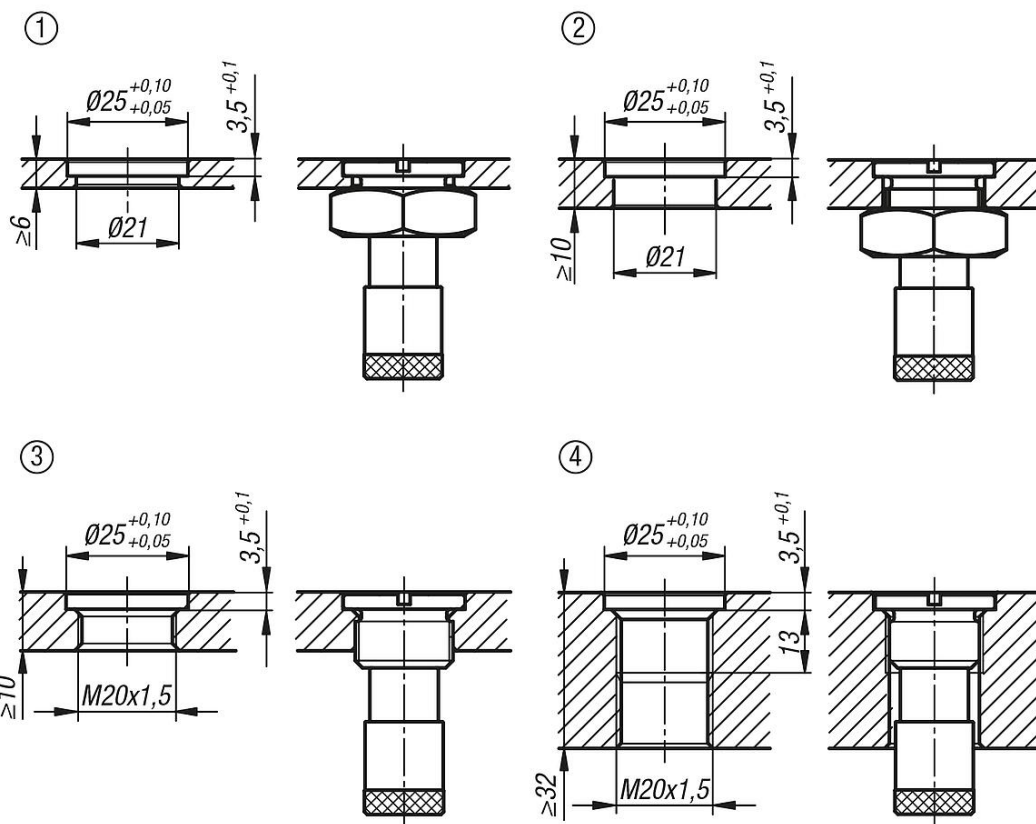
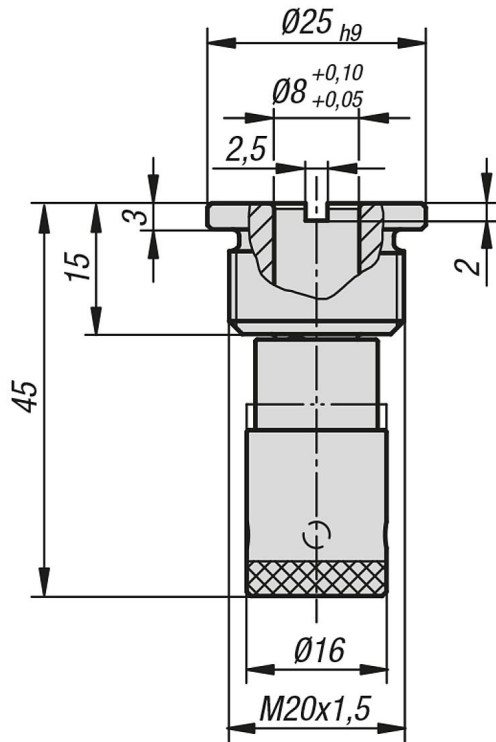
Accessory:

Locking pin K1067.



Ball lock bushes with twist lock

Drawings



Overview of items

Ball lock bushes with twist lock

Overview of items

Ball lock bushes with twist lock

Order No.	Clamping force N	Shearing force kN	Pullout force F kN	Temperature resistance
K1066.71	7	1,8	1,8	≤180 °C
K1066.151	15	1,8	1,8	≤180 °C