

Workpiece supports

Item description/product images



Description

Material:

Carbon steel.

Version:

Body black oxidised.

Thrust pin tempered and black oxidised.

Drawing reference:

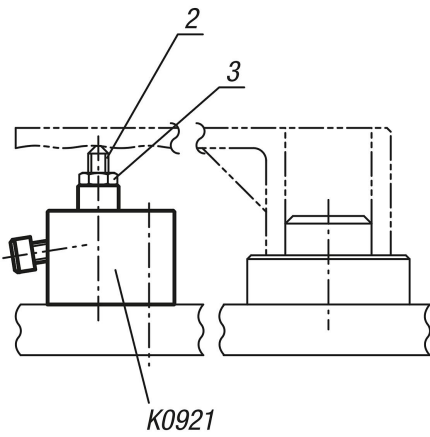
M = ball pressure screw

N = through hole for socket head screw DIN 912

1) rotation lock

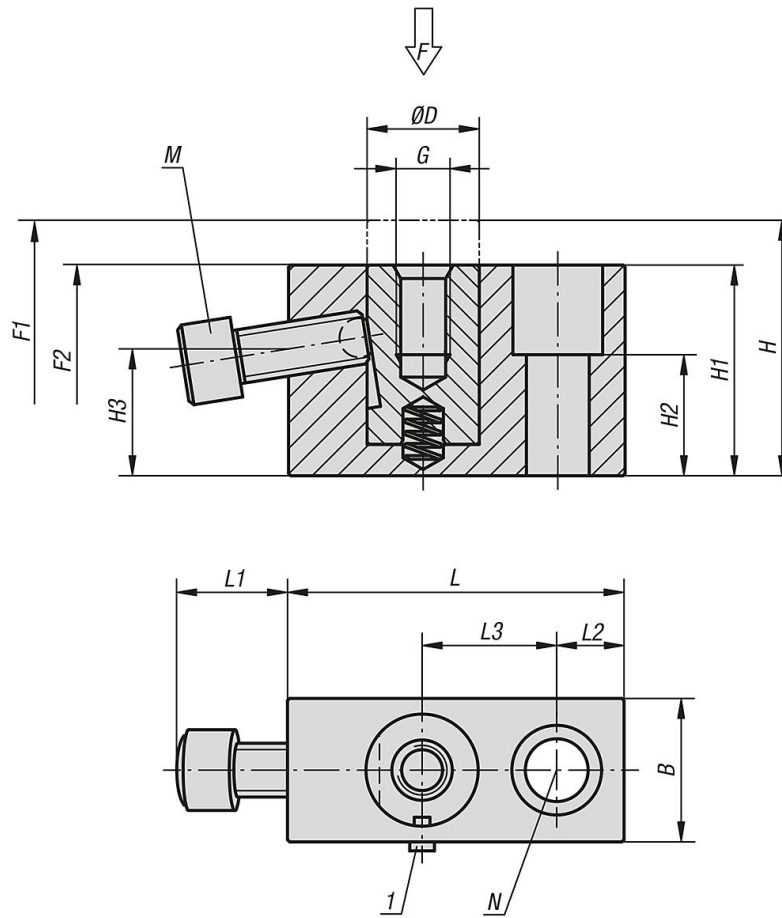
2) screw rest

3) hexagonal nut



Workpiece supports

Drawings



Overview of items

Workpiece supports

Order No.	B	D	G	H	H1	H2	H3	L	L1	L2	L3	M	N	F N	Tightening torque Mounting screws Nm	Spring force initial pressure F1 approx. N	Spring force final pressure F2 approx. N
K0921.06029	19	12	M6x10	35	29	15	17,6	38	13	8	15	M6x16	M6	4000	7,5	0	6
K0921.08037	22	16	M8x15	47	37	20	21,1	50	16	10	20	M8x20	M8	6000	14	0	7
K0921.12047	32	25	M12x20	57	47	27	28,3	75	25	15	30	M12x30	M12	9000	22	1	11