

Centring pins for aligning hole

Item description/product images



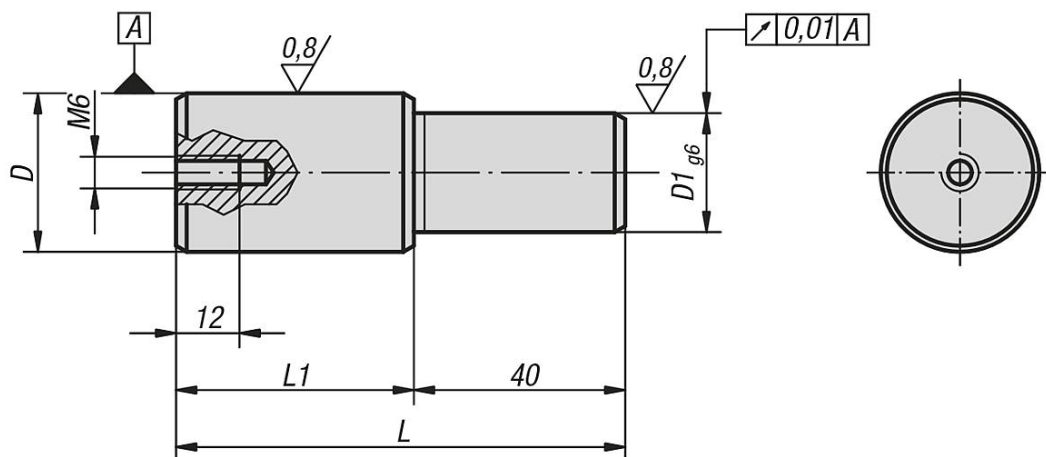
Description

Material:
Steel.

Version:
Case-hardened.
Toleranced diameter ground.

Note:
Centring pins for aligning holes are suitable for subplates K0806.

Drawings



Overview of items

Centering pins for aligning hole

Order No.	D	D1	L	L1
K0858.2520	25 g6	20	75	35
K0858.3020	30h6	20	85	45
K0858.3025	30h6	25	85	45

