

Seating blocks adjustable

Item description/product images

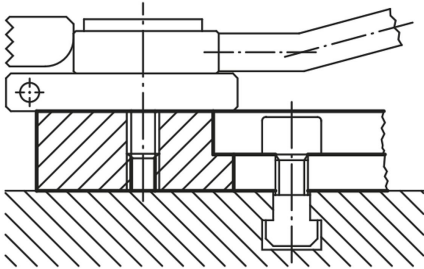


Description

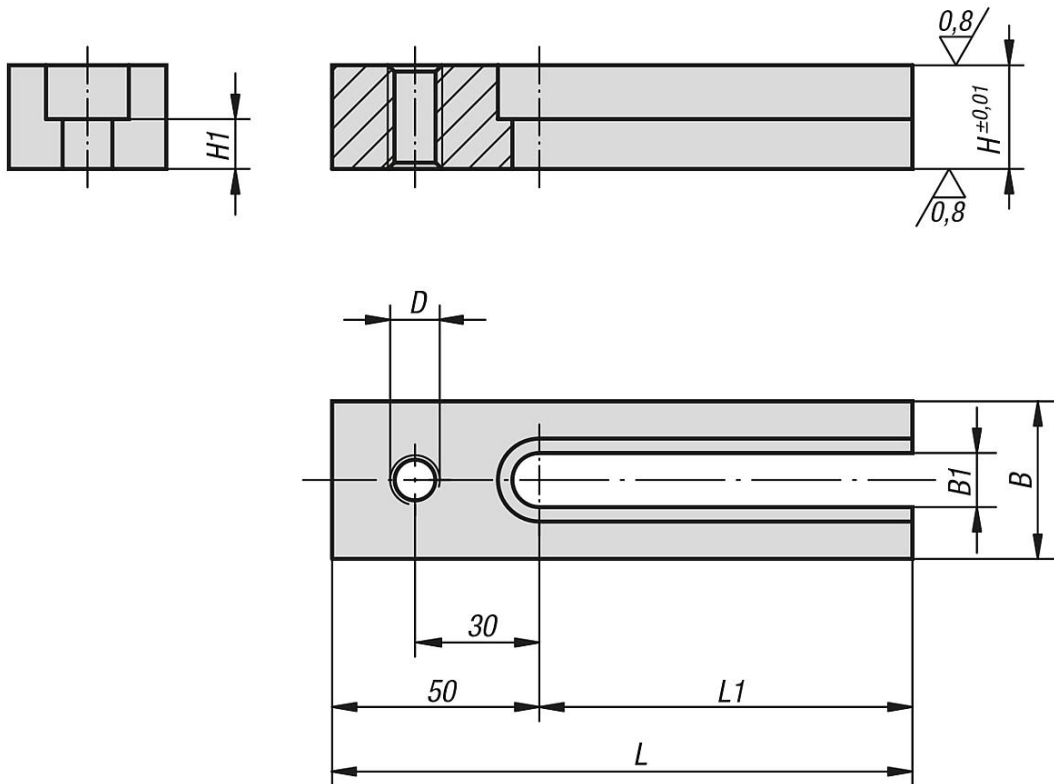
Material:
Carbon steel.

Version:
Tempered, black oxidised.
Contact faces ground.

Note:
The tapped hole is for mounting fixture components.
The slot allows the riser to be set in any desired position.



Drawings



Overview of items

Seating blocks adjustable

Order No.	D	L	L1	B	B1	H	H1
K0824.12025	M12	90	40	38	13	25	12
K0824.12032	M12	90	40	38	13	32	19

Seating blocks adjustable

Overview of items

Order No.	D	L	L1	B	B1	H	H1
K0824.12040	M12	90	40	38	13	40	27
K0824.12050	M12	90	40	38	13	50	37
K0824.12125	M12	140	90	38	13	25	12
K0824.12132	M12	140	90	38	13	32	19
K0824.12140	M12	140	90	38	13	40	27
K0824.12150	M12	140	90	38	13	50	37
K0824.16032	M16	90	40	50	17	32	15
K0824.16040	M16	90	40	50	17	40	23
K0824.16050	M16	90	40	50	17	50	33
K0824.16132	M16	140	90	50	17	32	15
K0824.16140	M16	140	90	50	17	40	23
K0824.16150	M16	140	90	50	17	50	33