

Toggle clamps vertical with safety interlock with straight foot and adjustable clamping spindle, stainless steel

Item description/product images



Description

Material:

Stainless steel.
Grip polyamide.
Unlocking bracket TPE.

Version:

Bright.
Grip blue, black or red.

Note:

Maintenance-free high quality link bushings. Sustainable constant force during opening and closing. Optimum stability through the conical, U-profile clamping arm. Including internal bar lock with automatic safety catch.

On request:

Other grip colours.

Accessory:

K0106
K0384
K0390
K0392
K0667

Drawing reference:

1) stop pin position 1
2) stop pin position 2

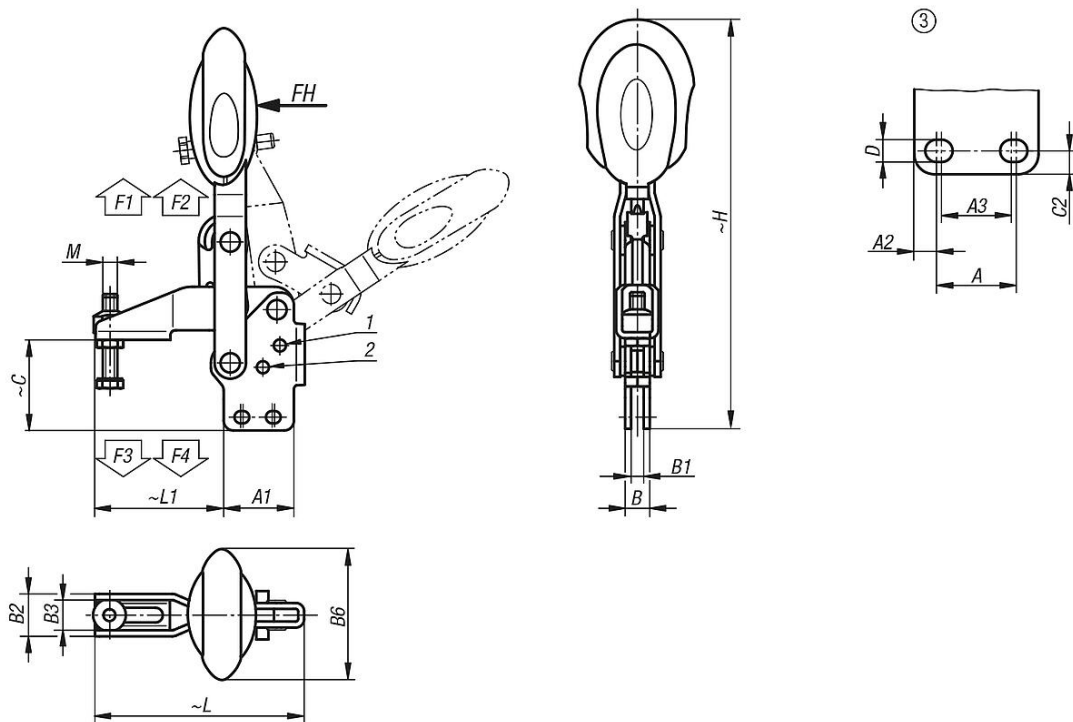
Toggle clamps vertical with safety interlock with straight foot and adjustable clamping spindle, stainless steel

Item description/product images



Toggle clamps vertical with safety interlock with straight foot and adjustable clamping spindle, stainless steel

Drawings



Overview of items

Toggle clamps vertical with safety interlock with straight foot and adjustable clamping spindle, stainless steel

Order No.	Component colour	Opening angle holding arm position 1	Opening angle holding arm position 2	Opening angle holding arm stop pin removed	Opening angle handle position 1	Opening angle handle position 2	Hand force FH N	Retaining force F1 N	Retaining force F2 N	Clamping force F3 N	Clamping force F4 N
K0663.106101	ultramarine RAL 5002	56°	83°	141°	46°	56°	160	1350	1650	920	1050
K0663.108101	ultramarine RAL 5002	13°	93°	158°	26°	61°	190	2000	2800	940	1350
K0663.106100	black grey RAL 7021	56°	83°	141°	46°	56°	160	1350	1650	920	1050
K0663.108100	black grey RAL 7021	13°	93°	158°	26°	61°	190	2000	2800	940	1350
K0663.106103	traffic red RAL 3020	56°	83°	141°	46°	56°	160	1350	1650	920	1050
K0663.108103	traffic red RAL 3020	13°	93°	158°	26°	61°	190	2000	2800	940	1350

Order No.	Component colour	hole arrangement	M	A	A1	A2	A3	B	B1	B2	B3	B6	C	C2	D	H	L	L1
K0663.106101	ultramarine RAL 5002	3	M6x35	14	29	7	12	10,2	5,2	17,5	12,5	53,4	37,6	5,5	5,5	175,7	86,5	53
K0663.108101	ultramarine RAL 5002	3	M8x45	21	39	9	19	10,2	5,2	20,6	15,6	51,1	49	6,5	6,8	207,6	107	62
K0663.106100	black grey RAL 7021	3	M6x35	14	29	7	12	10,2	5,2	17,5	12,5	53,4	37,6	5,5	5,5	175,7	86,5	53
K0663.108100	black grey RAL 7021	3	M8x45	21	39	9	19	10,2	5,2	20,6	15,6	51,1	49	6,5	6,8	207,6	107	62
K0663.106103	traffic red RAL 3020	3	M6x35	14	29	7	12	10,2	5,2	17,5	12,5	53,4	37,6	5,5	5,5	175,7	86,5	53
K0663.108103	traffic red RAL 3020	3	M8x45	21	39	9	19	10,2	5,2	20,6	15,6	51,1	49	6,5	6,8	207,6	107	62